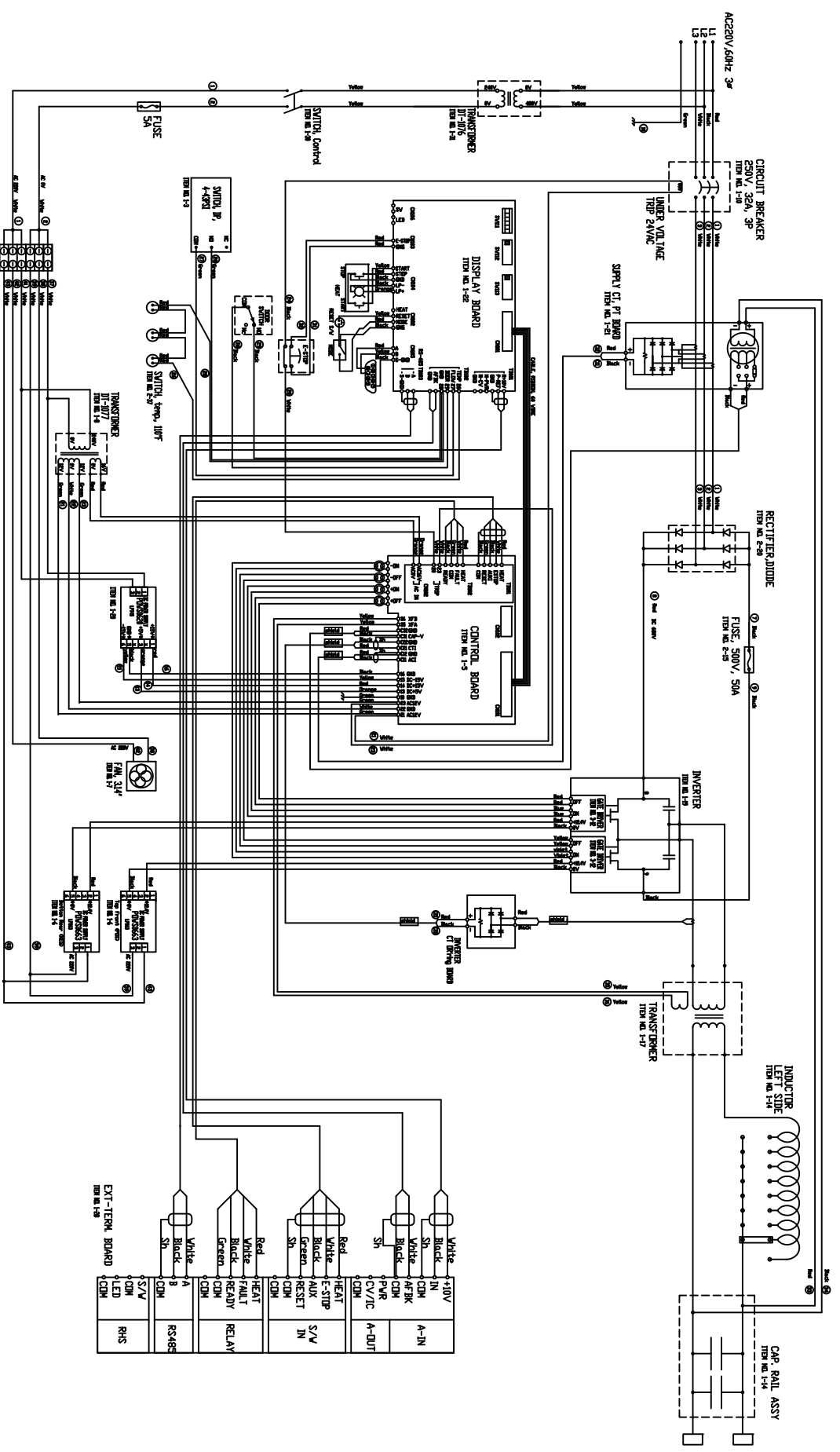


REV.	DESCRIPTION
A	



QUANTITY PER UNIT	SIZE	SHEET 1 of 1	REVISION DESCRIPTION

REV.	DATE	REV.	NO.

REV.	DATE	REV.	NO.

5, 7.5kW WIRING

5, 7.5 kW UNIT

Precision Power Systems & Technology, Inc.

HS YANG 20100720 111E104