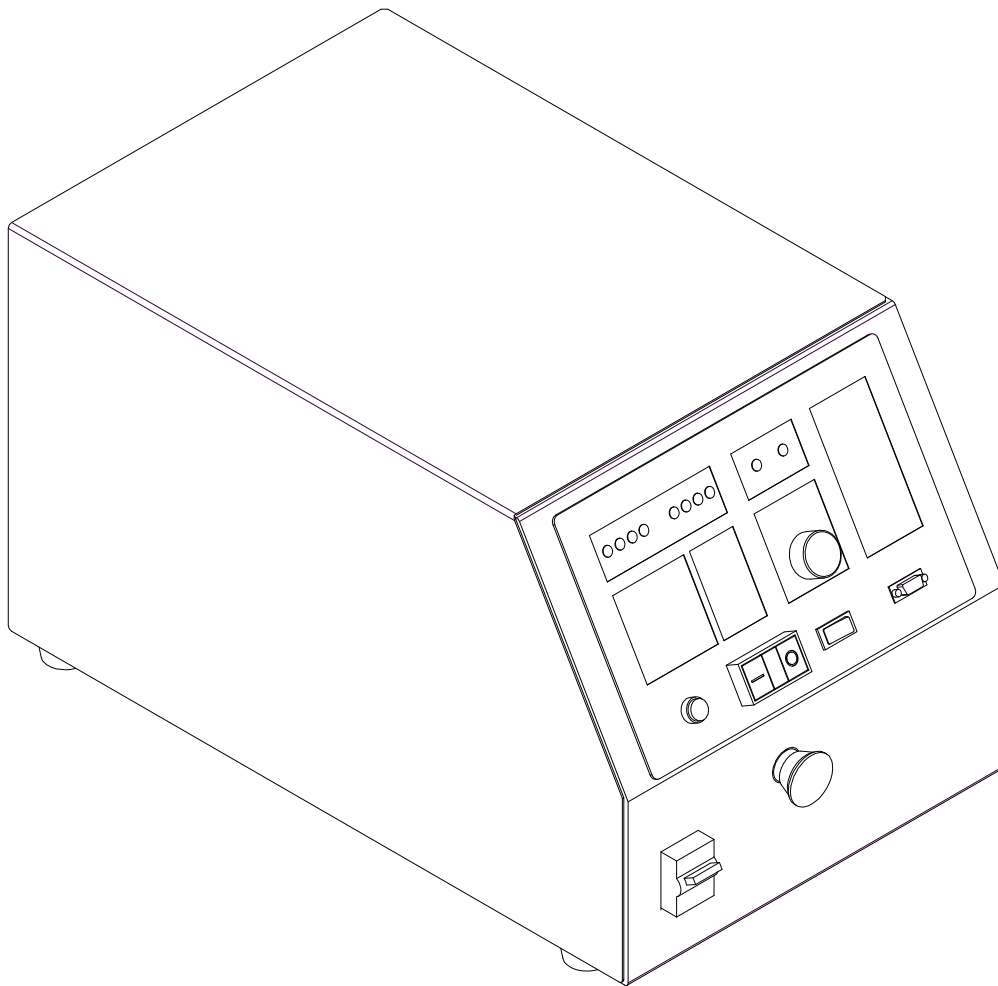
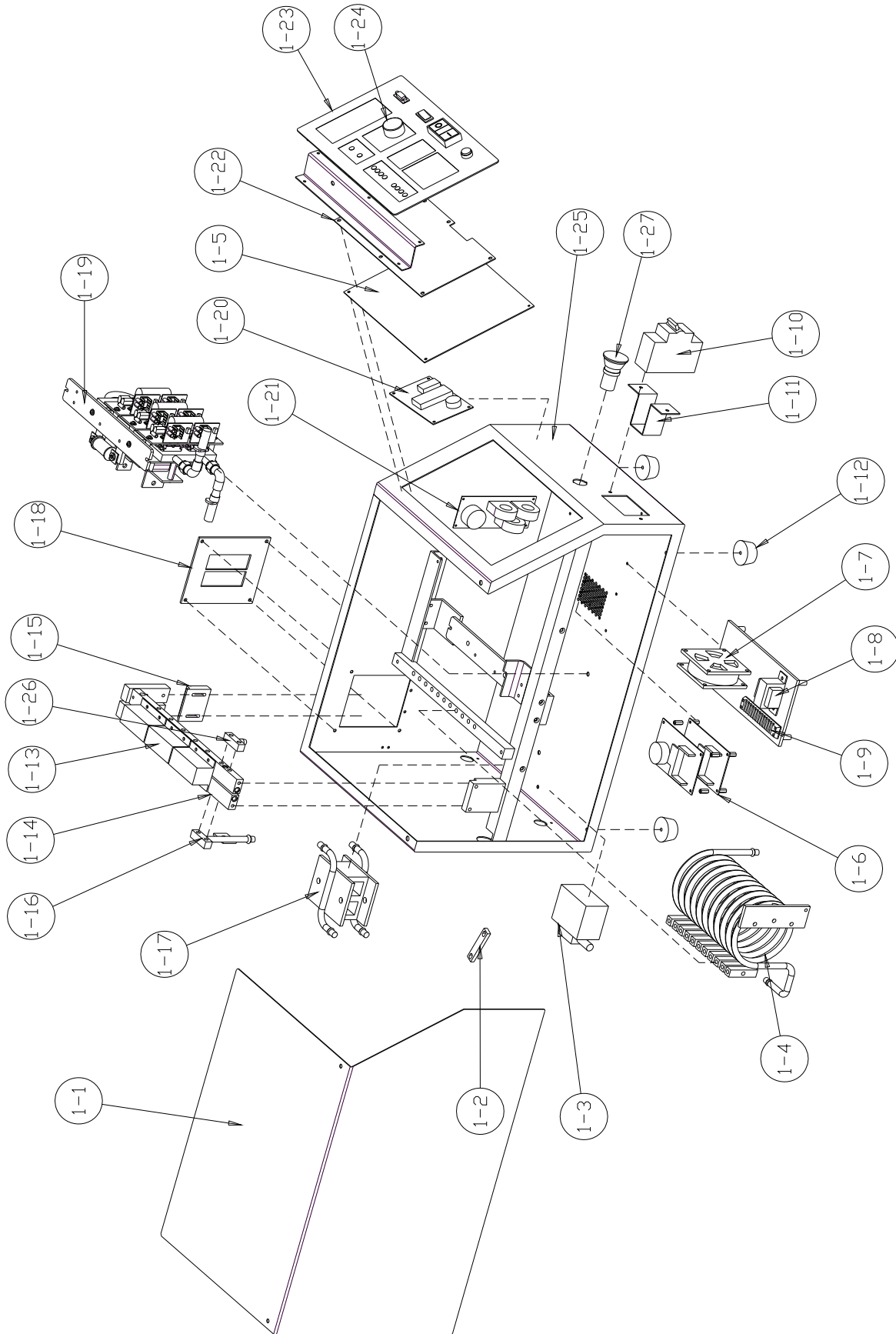


# PPST SS-400 Series Induction Power Supplies

## Spare Parts



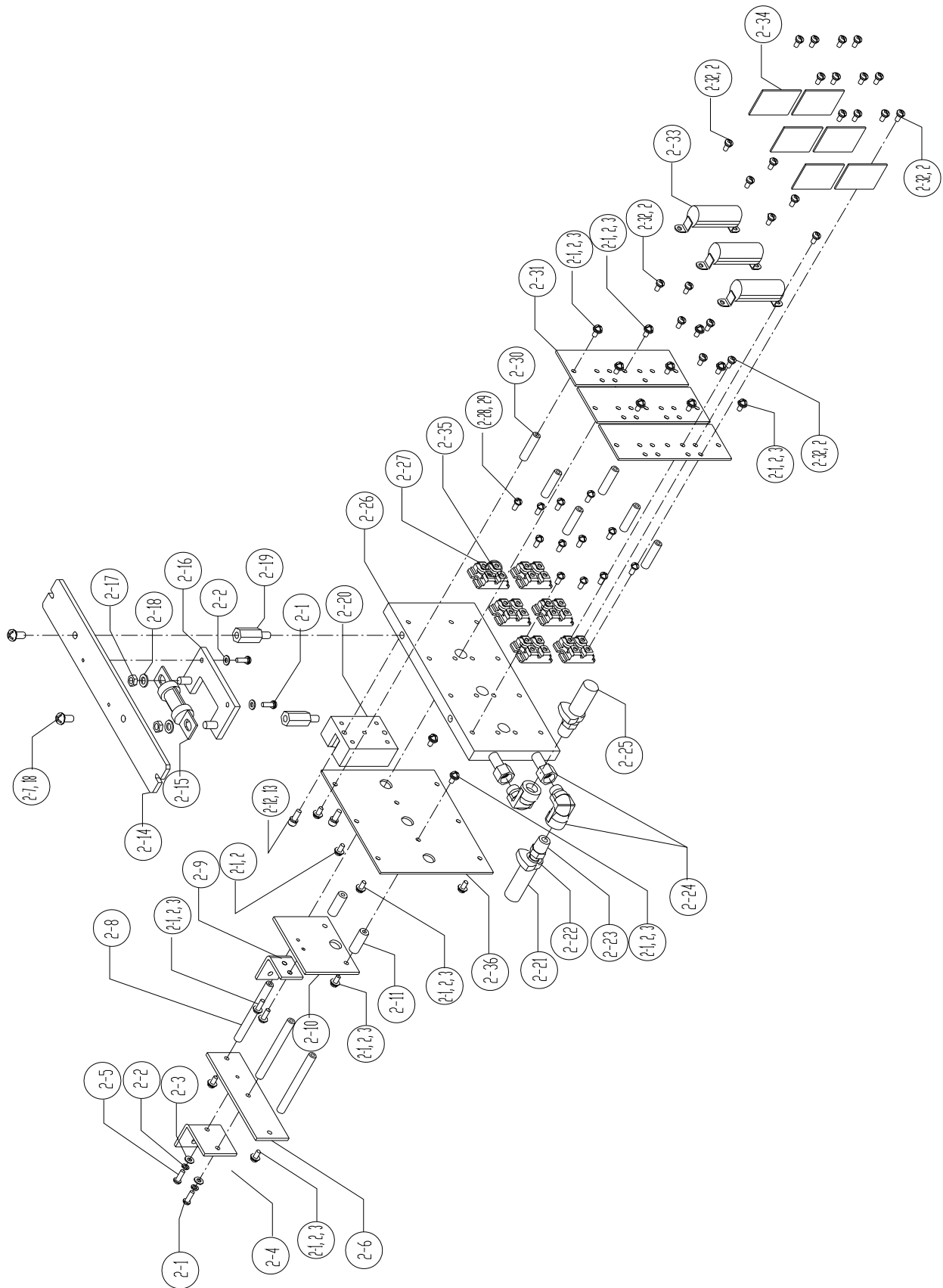
Model 5-135/400-3  
Model 7.5-135/400-3  
Revision 06.13.06



**Figure 1: Cabinet assembly**

<b>Item No.</b>	<b>Sch. Des.</b>	<b>Qty.</b>	<b>Description</b>	<b>Part Number</b>
1-1		1	Top Cover	11110632
1-2		1	Bus Jumper	11110922
1-3		1	Switch, DP, 4-43PSI	SWIT0490
1-4		1	Inductor Assy.	11110900
1-5		1	PCB Assy., Control	11110505
1-6		2	Power Supply, Switching, 12VDC, 40W	POWS0619
1-7		1	Fan, 3.14", 230V	FANZ0632
1-8		1	Transformer, DT-1077	TRAN1077
1-9		4	Terminal, Block, 6 Pos.	TERM0835
1-10		1	Circuit Breaker, 240V, 40A	CIBR0040
1-10		1	Circuit Breaker, UVR	CIBR0620
1-11		1	Bracket, Circuit Breaker	BRAC0617
1-12		4	Feet, Rubber, 1 1/2"	FEET0487
1-13		1	Capacitor, 210nF, 500V, Film	CAPA0610
1-14		1	Rail, Capacitor, Assy.	11110800
1-15		1	Support Block, Cap Bus	11110815
1-16		1	Weldment, Tap Bar	11110921
1-17		1	Transformer, Matching	11110200
1-18		1	Cover, Plate, Output	11110427
1-19		1	Inverter	11110400
1-20		1	Power Supply, Switching, Tri. Output, 40W	POWS0620
1-21		1	PCB Assy., Sense	11110535
1-22		1	PCB Assy., Display	11110545
1-23		1	Front Panel	11110720
1-24		1	Knob, 1-1/4" Dia. x 5/8"	KNOB0310
1-25		1	Bottom Panel	11110630
1-26		1	Hose Barb Mount	11110834
1-27		1	Switch, E-stop	SWIT0784

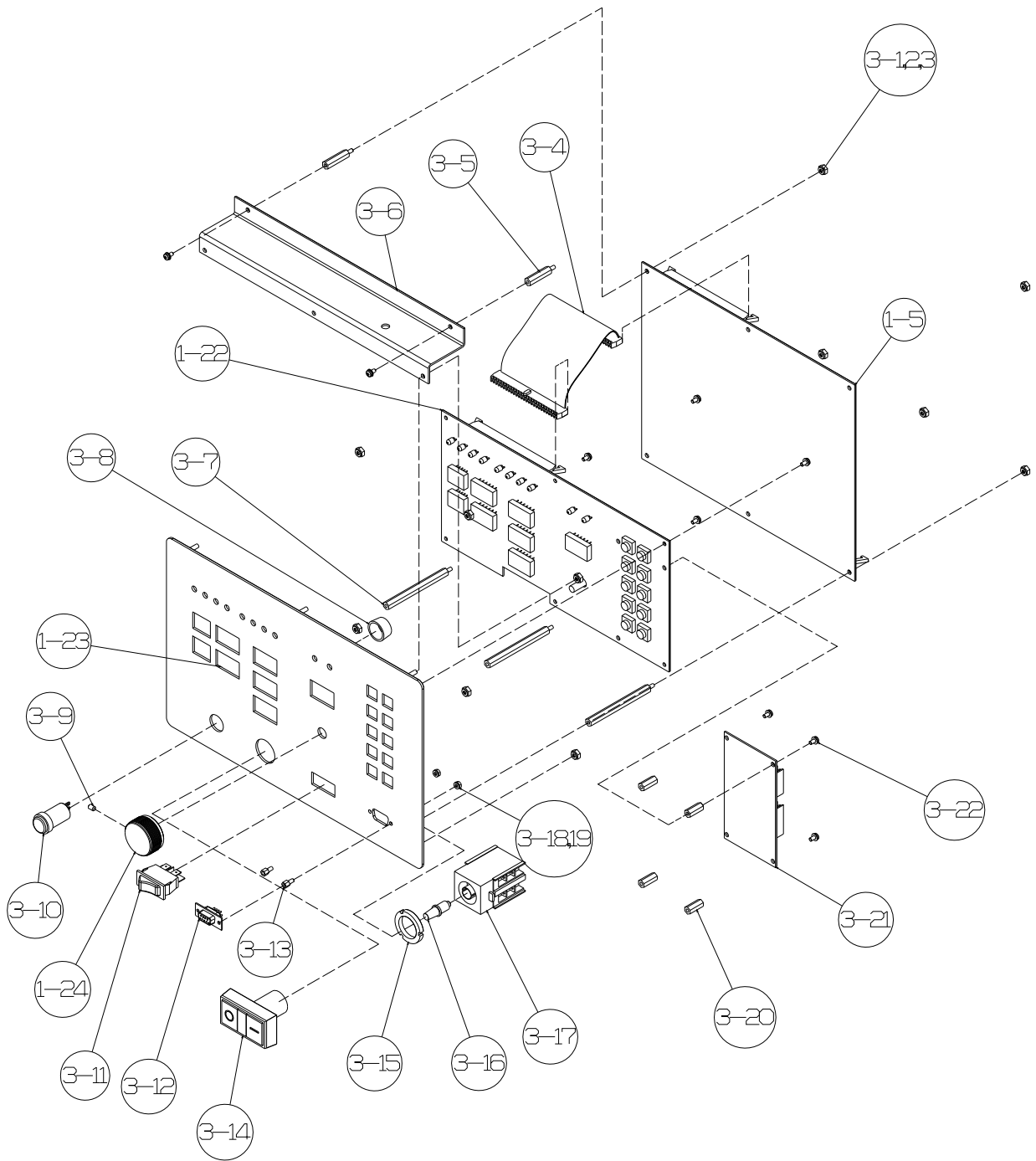
**Table 1: Cabinet Assembly**



**Figure 2: Inverter assembly**

<b>INVERTER ASM, 5, 7.5KW</b>			
<b>ASM</b>	<b>QNTY</b>	<b>PART#</b>	<b>DESCRIPTION</b>
2-1	3	SCRW0089	SCREW, 8-32 X 1/2, PHPH, BR
2-2	50		WASHER, LOCK, #8, BR
2-3	55	WASH0454	WASHER, FLAT, #8, BR
2-4	1	11110425	BUS, X'FMR, CONNECTION
2-5	22	SCRW0089	SCREW, 8-32 X 1/2, PHPH, BR
2-6	1	11110412	BUS, TOP, OUTPUT
2-7	2	SCRW0554	SCREW, 1/4-20 X 1/2, PHPH, BR
2-8	3		STANDOFF, 3/8 RND X 2-3/4, 8-32, FF, AL
2-9	1	11110414	BUS, CT MTG., OUTPUT
2-10	1	11110413	BUS, FEED THRU, OUTPUT
2-11	2		S-OFF, 3/8 RND X 1-1/8, 8-32, FF, AL
2-12	2	SCRW0051	SCREW, 10-32 X 1/2, PHPH, BR
2-13	2		WASHER, LOCK, #10, BR
2-14	1	11110416	HANDLE, HEATSINK
2-15	1	FUSE0342	FUSE, 500V, 40A
2-16	1	11110426	BRACKET, FUSE MOUNTING
2-17	2	NUTS0251	NUT, 1/4-20, HEX, BR
2-18	4		WASHER, LOCK, 1/4, BR
2-19	2	STAN00188	S-OFF, 1/2 HEX X 1, 1/4-20 MF, AL
2-20	1	REBR0226	DIODE BRIDGE, 3 PHASE, 1600V , 60A
2-21	1	HOSE0327	HOSE 3/8 ID
2-22	2	CLAM0391	CLAMP, HOSE 1/2" TO 5/8"
2-23	2	FITT0012	FITTING, UNI, 1/4 B - 1/4NPM, BR
2-24	2	FITT0639	FITTING, ELB, 3/8 C - 1/4NP, BR
2-25	1	HOSE0327	HOSE 3/8 ID
2-26	1	11110441	FABRICATION, HEAT SIN K
2-27	6	MOSF0268	MOSFET, 600V, 62A APT60M75JVR
2-28	12	SCRW0089	SCREW, 8-32 X 1/2, PHPH, BR
2-29	12		WASHER, LOCK, #8, BR
2-30	6	STAN0198	S-OFF, 5/16 RND X 1 1/4, 8-32, FF, AL.
2-31	3	11170515	PCB ASM, SNUBBER
2-32	24		SCREW, M4 X 8, PHPH, BR
2-33	3	CAPA0024	CAPACITOR, 10UF, 400V, FILM
2-34		11171525	PCB ASM, GATE DRIVE , SMD
2-34	6	11170525	PCB ASM, GATE DRIVE

**Table 2: Inverter Assembly**



**Figure 3 Display assembly**

<b>Item No.</b>	<b>Sch. Des.</b>	<b>Qty.</b>	<b>Description</b>	<b>Part Number</b>
1-5		1	PCB assy., control	11110505
1-22		1	PCB assy., display	11110545
1-23		1	Front panel	11170721
1-24		1	Knob, 1-1/4" dia. x 5/8"	KNOB0310
3-1		11	NUT, HEX, 6-32, BR	
3-2		29	WASHER, LOCK, #6, BR	
3-3		29	WASHER, FLAT, #6, BR	
3-4		1	WIRE, PLATE 50P	CABL0300
3-5		2	S-OFF, 1/4HEX 1", 6-32, FM, AL	
3-6		1	PCB mounting bracket	11110715
3-7		3	S-OFF 1/4HEX 71mm, 6-32, FM, AL	
3-8		1	Mounting Nut, reset switch	NUTS0784
3-9		1	SCREW, M4 x 8MM, NHSO, SS	
3-10		1	Switch, reset	SWIT0784
3-11		1	Switch, rocker, DPST	SWIT0166
3-12		1	Connector 9pin	CONN0009
3-13		2	S-OFF, 5mm HEX 5mm, M3, FM, BR	
3-14		1	Button, heating switch	SWIT1010
3-15		1	Mounting Nut, heating switch	NUTS1001
3-16		1	Lamp, heating switch	LAMP0001
3-17		1	Housing, heating switch	SWIT0177
3-18		2	NUT, HEX, M3, BR	
3-19		2	WASHER, LOCK, M3, BR	
3-20		4	S-OFF 1/4HEX 14mm, 6-32, FF, AL	
3-21		1	PCB assy., EXT-IO	11110605
3-22		12	SCREW, 6-32 x 3/8, PHPH, BR	

**Table 3: Display Assembly**