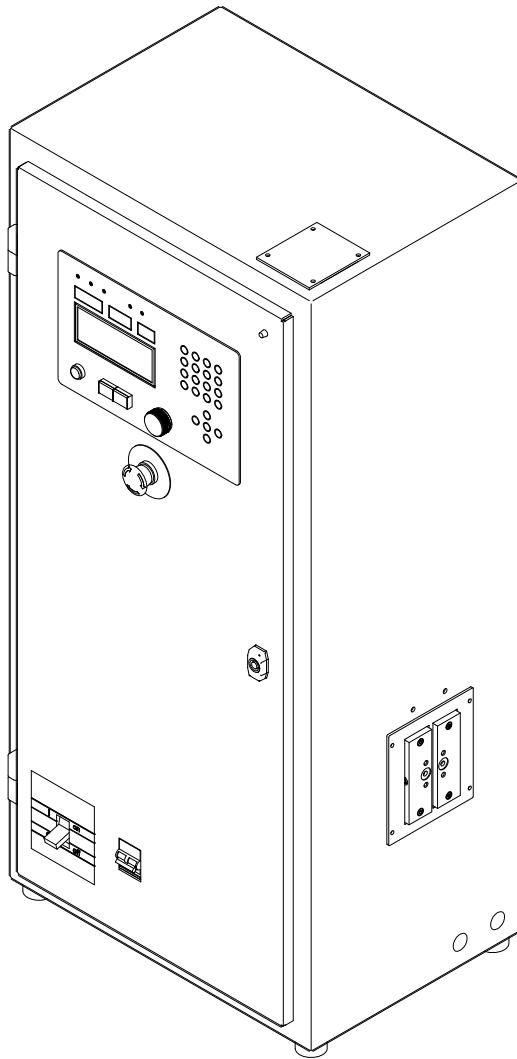


PPST SS-400 Series Induction Power Supplies Spare Parts



Model 40-480-135/400-4
40-415-135/400-4
40-380-135/400-4
Revision 10.07.20

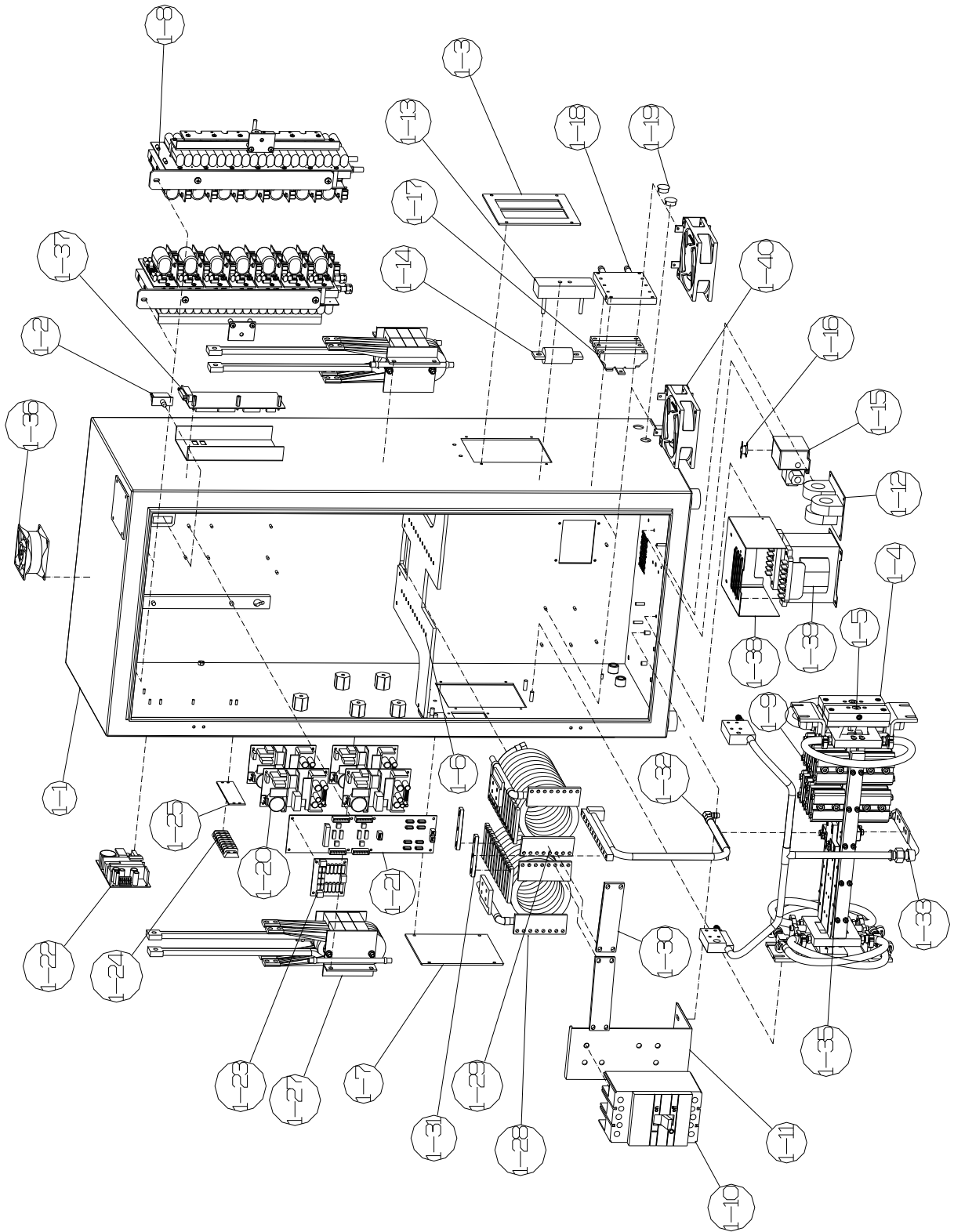


Figure 1: Cabinet assembly

Item No.	Sch. Des.	Qty.	Description	Part Number
1-1		1	CABINET	11230633E
1-2		1	SWITCH, door interlock	SWIT0161
1-3		1	COVER, output	11170821
1-4		2	BAR, output	11170819
1-5		2	O-RING, 1/16" thick x 5/8" O.D.	ORIN0004
1-6		1	SUPPORT INDUCTOR	11230914C
1-7		1	COVER, output, blank	11170816
1-8		2	INVERTER, 20kVA	11230400-20B
1-9		12	CAPACITOR, 210nF, 1000V	CAPA5021
1-10		1	CIRCUIT BREAKER, 600V, 100A	CIBR0619
1-11		1	BRACKET, circuit breaker	11170637
1-12		1	PCB ASSY., supply CT	11170585B-40
1-13		1	FUSE HOLDER	FUSE0623
1-14		1	FUSE, 500V, 150A, semiconductor	FUSE0622
1-15		1	SWITCH, DP, 4-43PSI	SWIT0490
1-16		1	SWITCH, temp., 110°F	SWIT0617
1-17		3	DIODE, dual module, 1600V, 60A	DIOD0634
1-18		1	HEAT SINK, rectifier	11170440
1-19		2	CAP, hole, 3/4"	PLUG0001
1-20		4	POWER SUPPLY, switching, 12VDC, 60W	POWS0663
1-21		1	PCB ASSY., buffer	11230575C
1-22		1	POWER SUPPLY, switching, tri. output, 40W	POWS0620
1-23		1	PCB ASSY., inverter CT OR'ing	11230555B
1-24		1	TERMINAL BLOCK, 8 pos.	TERM0836
1-25		1	COVER, for terminal block	11170809
1-27		2	TRANSFORMER, matching 3:1	11230200
1-28		1	INDUCTOR, left	11230904F
1-29		1	INDUCTOR, right	11230901F
1-30		2	BAR, shorting	11170905
1-31		1	BUS, TOP, CROSSBAR	11170903
1-32		1	BUS, COIL, CENTER CONNECT	11230902
1-33		1	BUS, Transformer	11230841C
1-35		1	CAP. RAIL ASSY	11230800
1-36		1	FAN, 3.14", 230V	FANZ0632
1-37		1	PCB ASSY., EXT-TERM	11230755A
1-38		1	TRANS COVER	11230301
1-39		1	TRANSFORMER, DT-1079B	TRAN1079
1-40		2	FANS, 230V, AC, 120mm	FANS0230

Table 1: Cabinet assembly

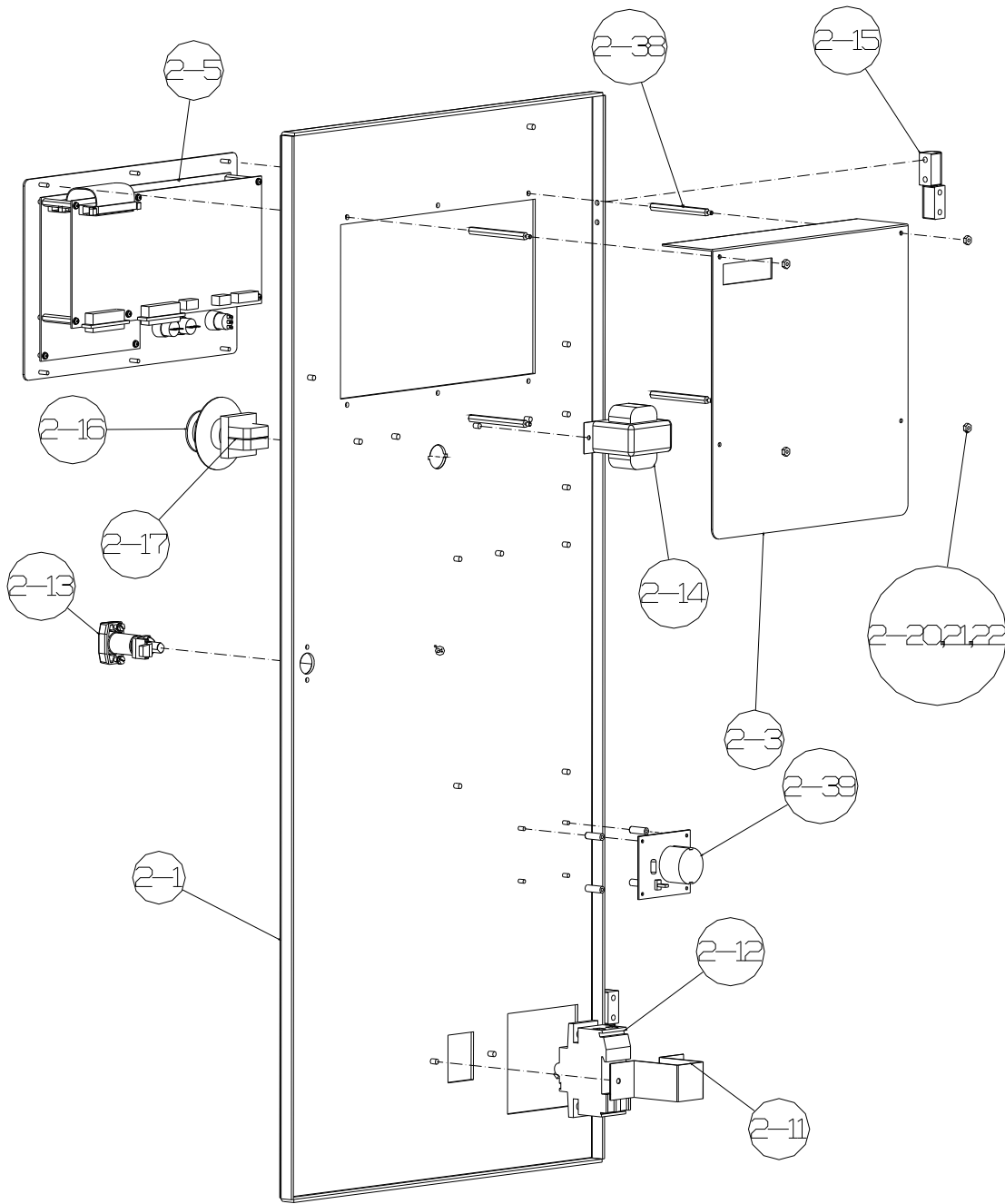


Figure 2-1: Door assembly

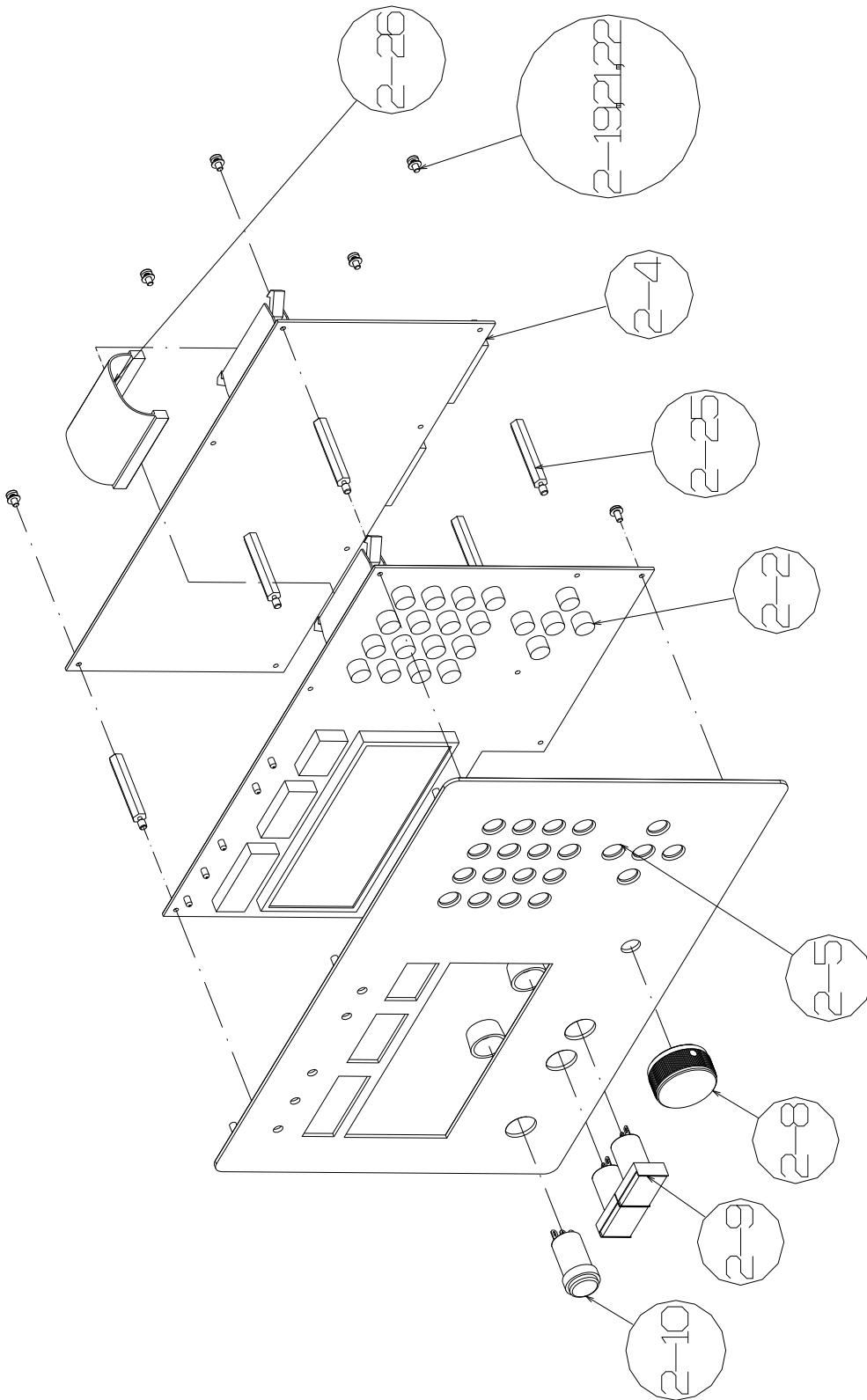


Figure 2-2: Door assembly

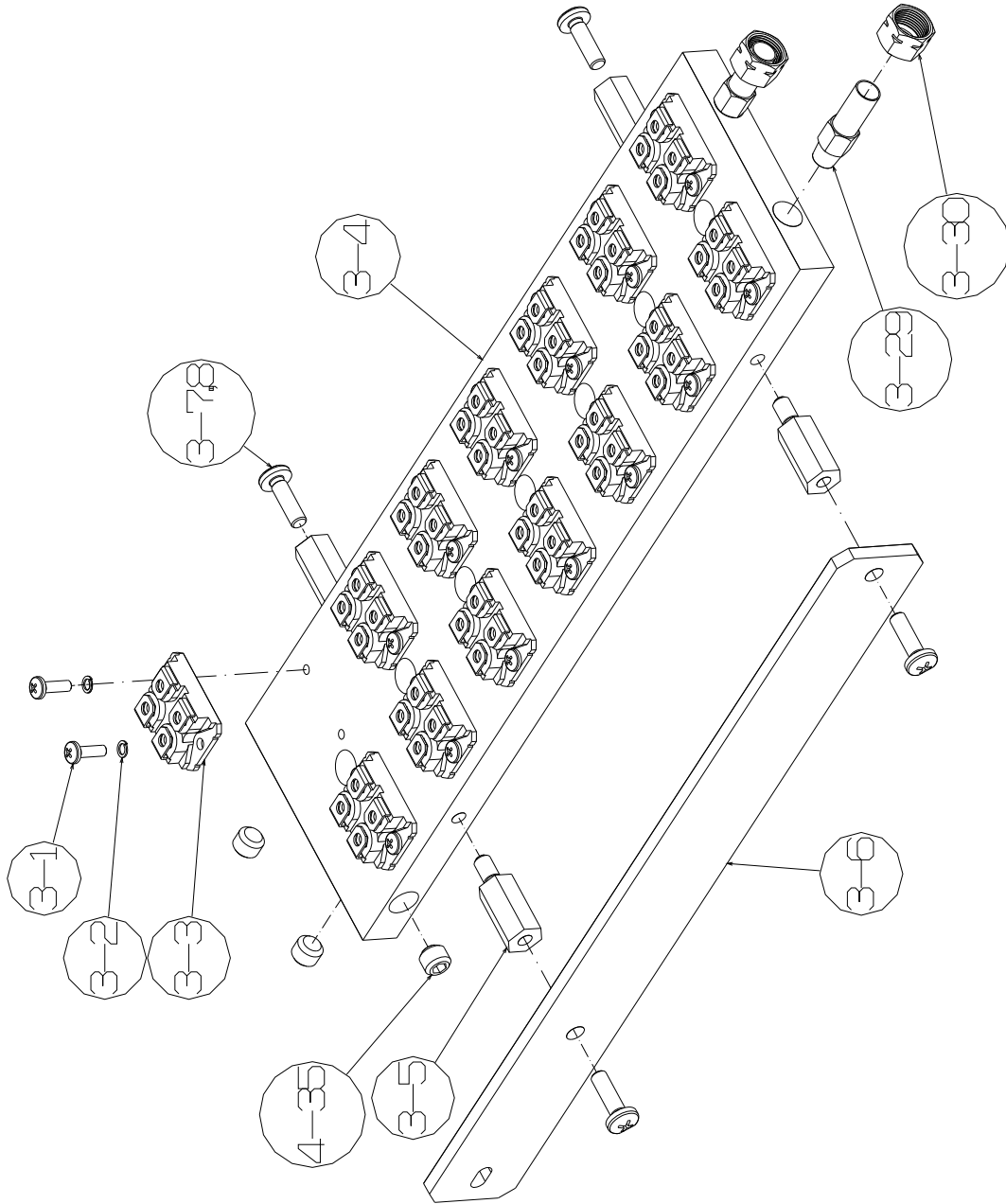


Figure 3-1: Inverter assembly

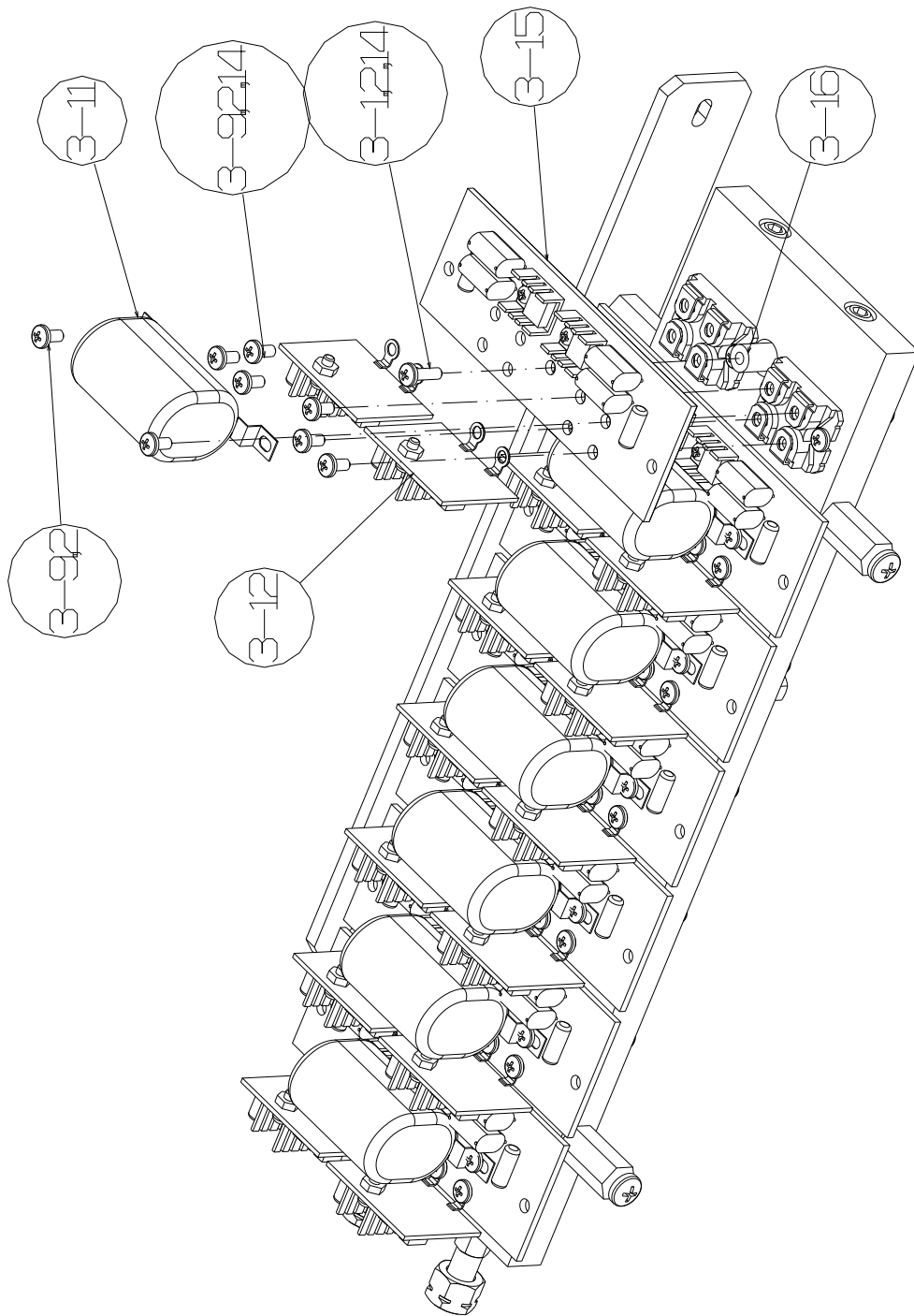


Figure 3-2: Inverter assembly

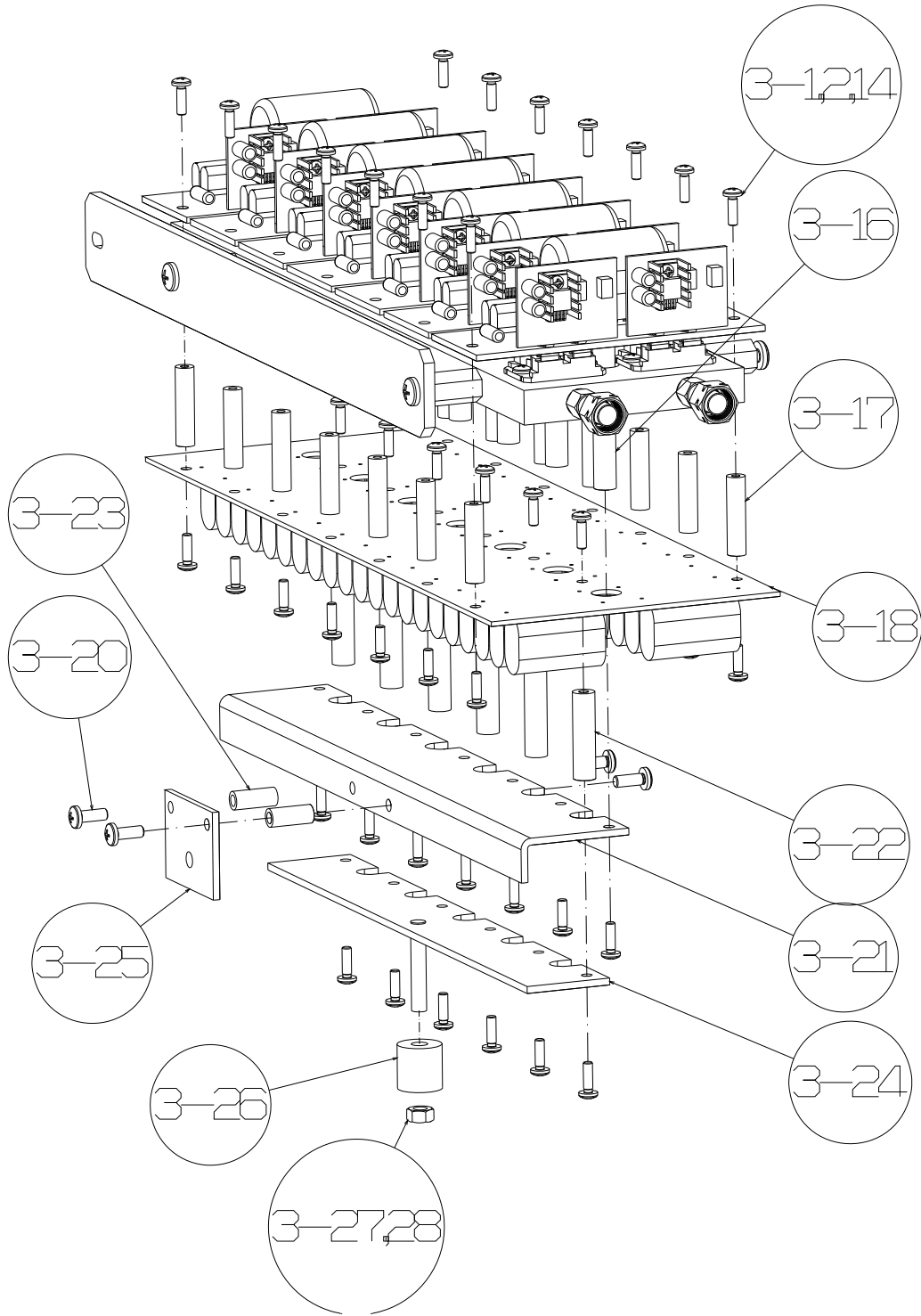


Figure 3-3: Inverter assembly

INVERTER ASM 40KW

ASM	QNTY	PART#	DESCRIPTION
3-1	82	SCRW0089	SCREW, 8-32 X 1/2, PHPH, BR
3-2	138	WASH0429	WASHER, LOCK, #8, BR
3-3	14	MOSF0232	MOSFET, 1200V, 32A
3-4	1	11230425	HEATSINK, INVERTER
3-5	4	STAN0188	STANDOFF, 1/2 H, 1, 1/4-20. MF, AL
3-6	1	11230420	HANDLE, INVERTER
3-7	4	SCRW0011	SCREW, 1/4-20 X 5/8, PHPH, BR
3-8	2	WASH0501	WASHER, LOCK, 1/4, SB
3-9	56	SCRW0102	SCREW, M4 X 8MM, PHPH, BR
3-11	7	CAPA0022	CAPACITOR, 2.0UF, 1000V, FILM
3-12	14	11171525C	PCB, ASM, GATE DRIVE
3-14	110	WASH0454	WASHER, FLAT, #8 , BR
3-15	7	11230515B-40	PCB, ASM, SNUBBER
3-16	7	STAN0002	STANDOFF, 5/16 RNDX 3, 8/32-20. FF, AL
3-17	14	STAN0198	S-OFF, 5/16 RND X 1 1/4, 8-32, FF, AL
3-18	1	11230705B	PCB ASM, DIVIDER CAPACITORS
3-20	4	SCRW0051	SCREW, 10-32 X 1/2, PHPH, BR
3-21	1	11230409A	BUS, DC, INVERTER
3-22	6	STAN0724	S-OFF, 3/8 RND X 1 , 8-32, FF, AL
3-23	2	STAN0197	S-OFF, 5/16 RND X 3/4, 10-32, FF, AL
3-24	1	11230408C	BUS, AC, INVERTER
3-25	1	11230410A	PLATE, X'FMR CONNECTION
3-26	1	SPAC0005	SPACER, 3/4"OD, 3/4", UNTHREADE
3-27	1	WASH0501	WASHER, LOCK, 1/4" , BR
3-28	1	NUTS0251	NUT, HEX, 1/4-20, BR
3-29	2	11230461	FITTING, TUBE CONNECTION
3-30	2	FITT0639	FITTING, ELB, 3/8"C-1/4"NPF,BR
4-35	3	SCRW0140	SCREW, 1/8NPT X 3/8" NH50, SS

Table 3: Inverter assembly

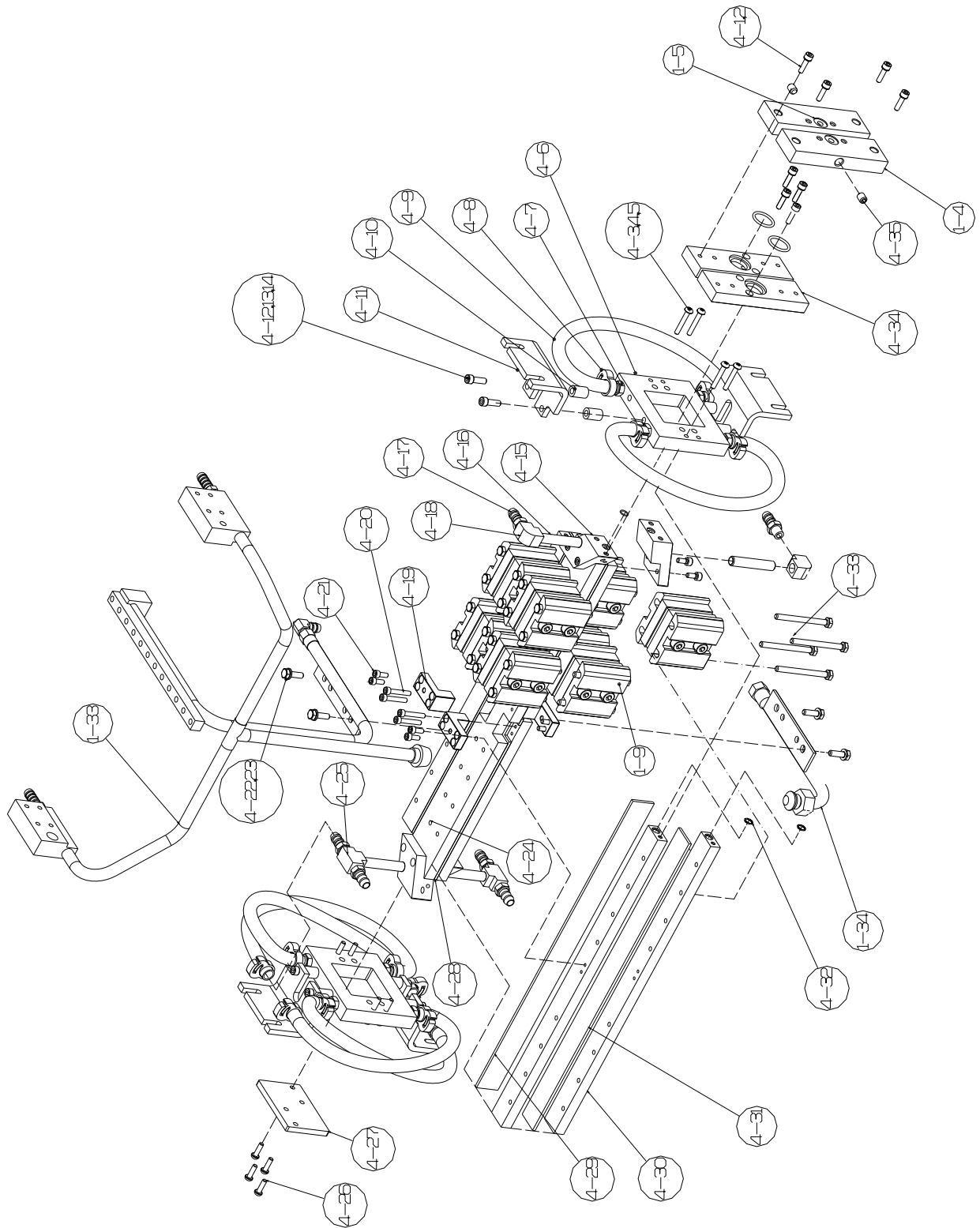


Figure 4-1: Cap. Rail assembly (Parallel configuration)

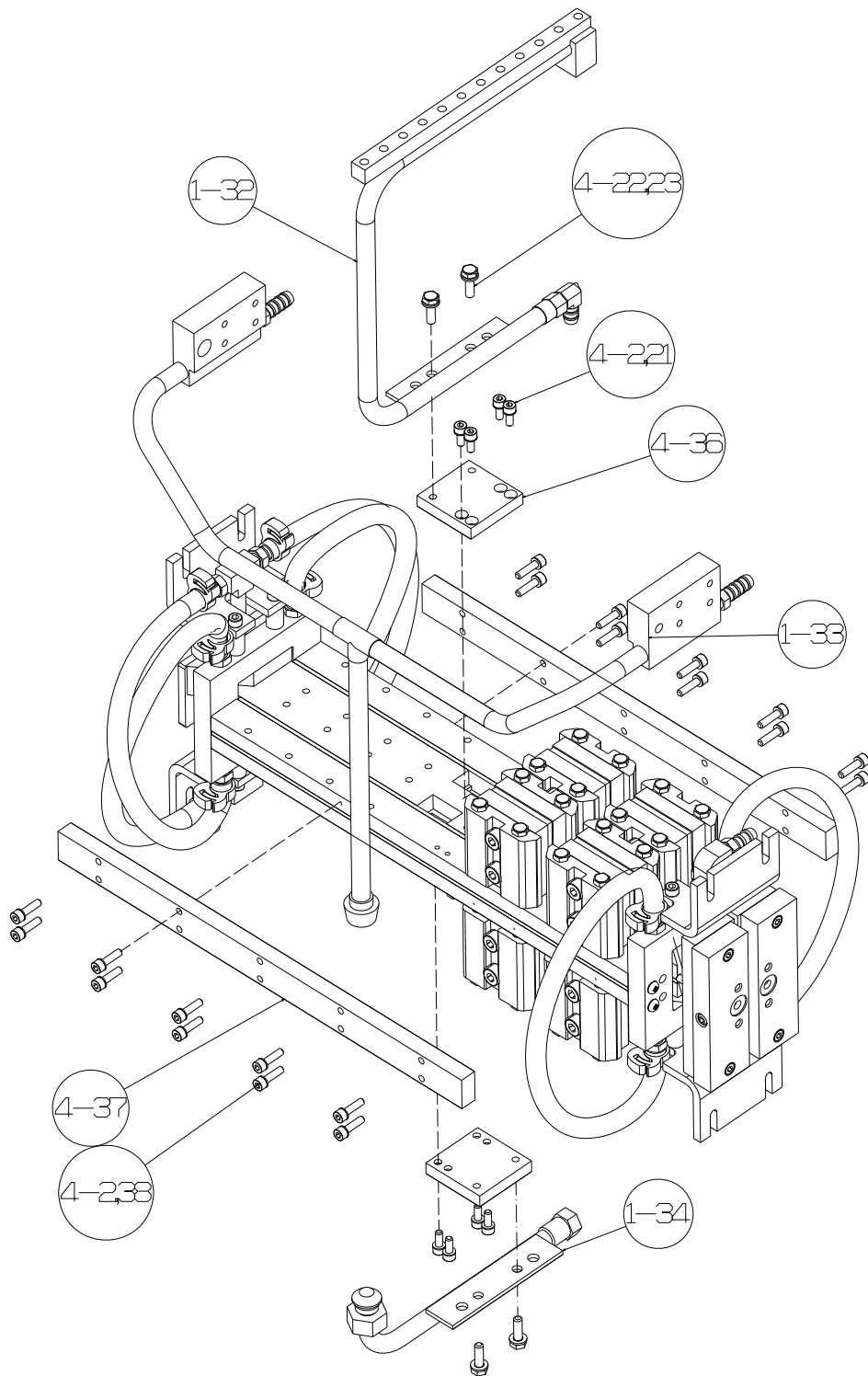


Figure 4-2: Cap. Rail assembly (Series / Parallel configuration)

ASM	QNTY	PART#	DESCRIPTION
1-4	2	11170819	PLAT, OUTPUT, OFFSET
1-5	2	ORIN0004	O-RING, 1/16"thick X 5/8" O.D
1-9	16	CAPA0305	CAPACITOR, 210nF, 1000V
1-32	1	11230902	BUS, COIL, CENTER CONNECT
1-33	1	11230841C	BUS, TRANSFORMER
1-34	1	11230841C	BUS, TRANSFORMER
4-1	16	SCRW0016	SCREW, 10-32X3/4", SHSO, SS
4-2	32	WASH0456	WASHER, LOCK, #10, SB
4-3	8	SCRW0140	SCREW, 10-32X1-1/4, PHPH, BR
4-4	12	WASH0456	WASHER, LOCK, #10, BR
4-5	12	WASH0434	WASHER, FLAT, #10, BR
4-6	2	11170833C	MANIFOLD, CONNEDTION, ULTEM
4-7	8	FITT0022	FITTING, 3/8" TUBEID, 1/8"NPT NYLO
4-8	16	CLAM0391	CALMP, HOSE 1/2" TO 5/8" DIAMETER
4-9	15	HOSE0327	HOSE, 3/8"ID
4-10	8	SPAC0001	SPACER, TEFLON, 1/20D, .257ID
4-11	4	11170837C	SUPPORT, CAP, RAILASSY.
4-12	8	SCRW0029	SCREW, 1/4-20X1-1/2", SHSO, SS
4-13	8	WASH0426	WASHER, LOCK, 1/4, SS
4-14	8	WASH0492	WASHER, FLAT, 1/4", SS
4-15	4	11170835	MANIFOLD, OFFSET, END, BLOCK
4-16	4	FITT0005	FITTING, 1/8NPT NIPPLE
4-17	6	FITT0004	FITTING, 1/8NPTX3/8 BARB
4-18	2	FITT0006	FITTING, 1/8FPT ELBOW
4-19	4	11170836	CONNECTOR, CAP RAIL
4-20	8	SCRW1001	SCREW, 10-32X1-1/8", SHSOSS
4-21	8	SCRW1003	SCREW, 10-32X1/2", SHSO, SS
4-22	4	SCRW0040	SCREW, 1/4-20X1/2", HH, BR
4-23	68	WASH0501	WASHER, LOCK, 1/4", SB
4-24	2	11170831B	BUS, CAP RAIL, CENTER
4-25	2	FITT0019	FITTING, 1/8FPT TEE
4-26	4	SCRW0013	SCREW, 10-32X5/8", PHPH, BR
4-27	1	11170840	PLATE, BLANKING
4-28	1	11170838	INSULATOR, STRIP, CENTER
4-29	2	11170839	INSULATOR, STRIP, SIDES_1
4-30	4	11170832B	BUS, CAP RAIL, SIDE
4-31	2	11170839	INSULATOR, STRIP, SIDES_2
4-32	16	ORIN9452	O-RING, 1/16X1/4X3/8
4-33	64	SCRW0554	SCREW, 1/4-20X1/2", PHPH, BR
4-34	2	11170834B	BUS, END, BLOCK
4-35	2	SCRW0140	SCREW, 1/8NPT X 3/8" NHSO, SS
4-36	2	11170875	SERIES CONNECTOR CAP. RAIL
4-37	2	11170876	JUMPER CAP. RAIL
4-38	20	SCRW1005	SCREW, 10-32X3/4", SHSO, SS
		ORIN0002	ORING, 1/8" X 1" O.D.

Table 4: Cap. Rail assembly