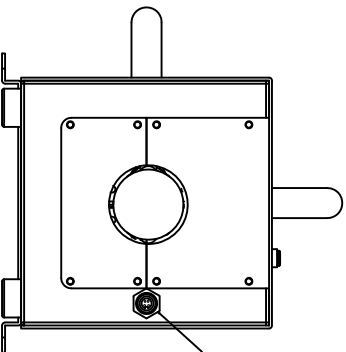
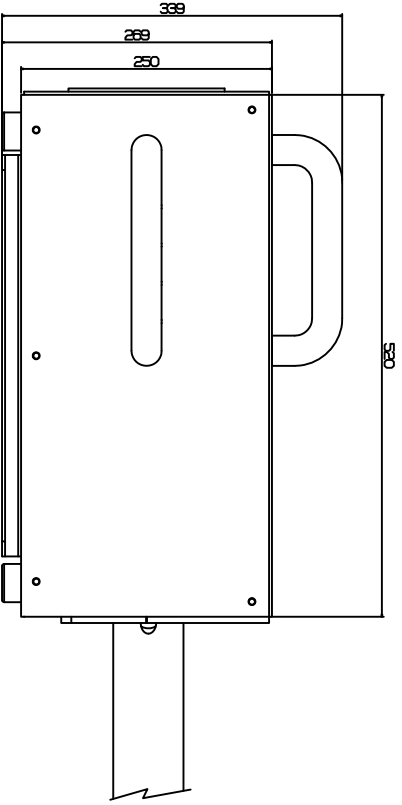
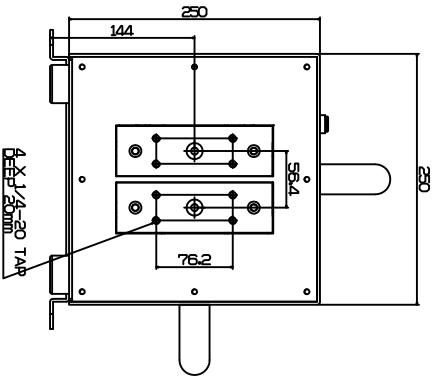
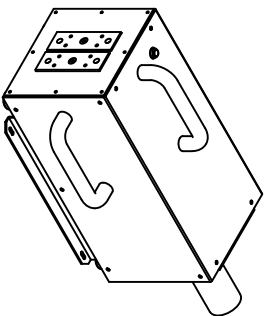
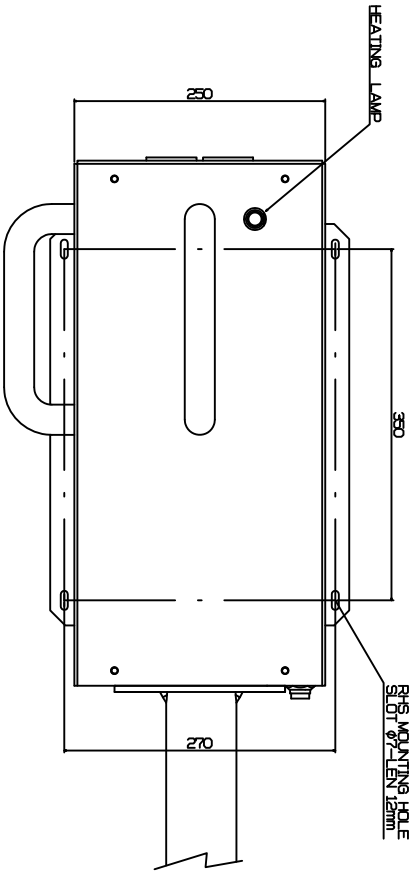


NOTES, UNLESS OTHERWISE SPECIFIED:

1. -
2. -
3. -



REV.	DESCRIPTION	DATE	APPROVED
A			
B			

QUANTITY PER UNIT		REVISION DESCRIPTION		120Kw RHS LAYOUT		Precision Power Systems & Technology, Inc.	
1				RHS	120Kw UNIT	DESIGN NO.	DATE
						H.S. 1740	2008.09.17