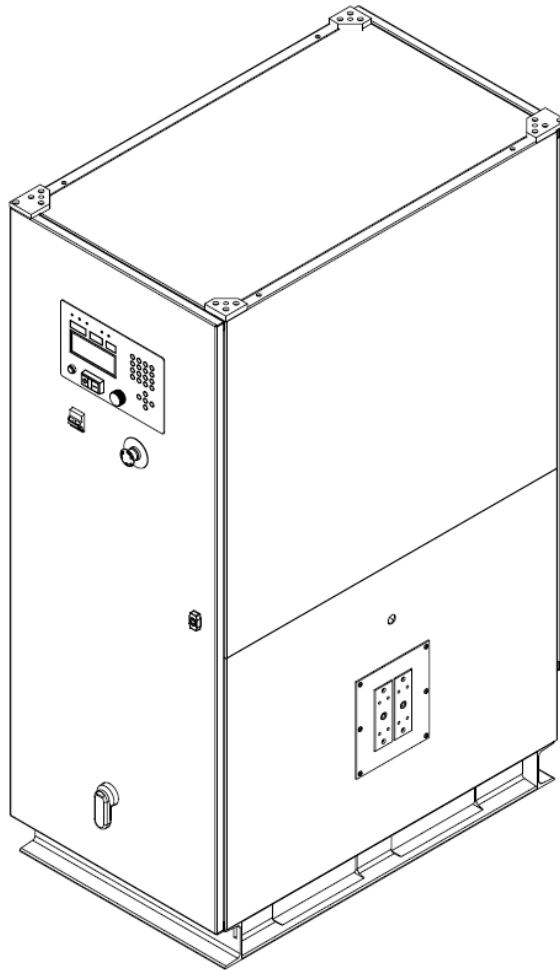


PPST SS-400 Series Induction Power Supplies Spare Parts



Model 120-480-135/400-4
120-415-135/400-4
120-380-135/400-4
Revision 30.03.2012

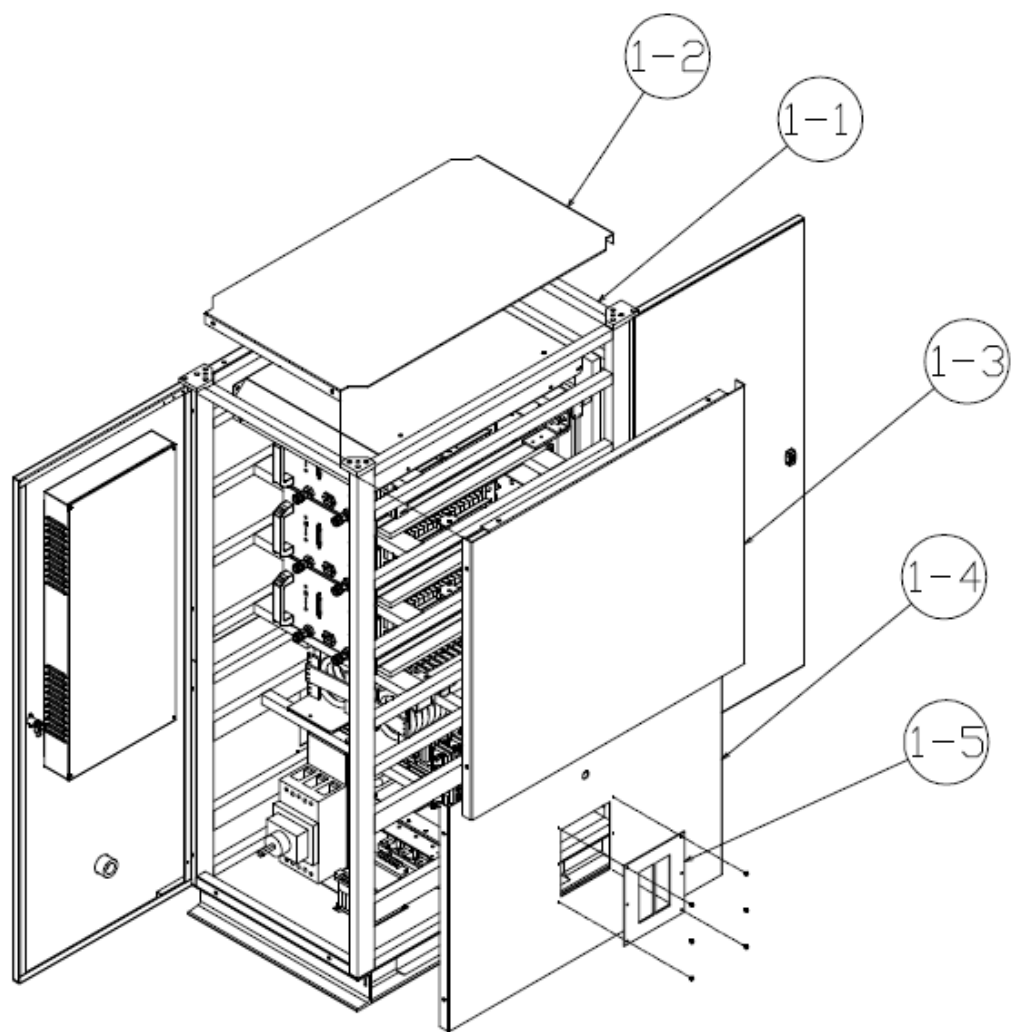


Figure 1-1: Main assembly

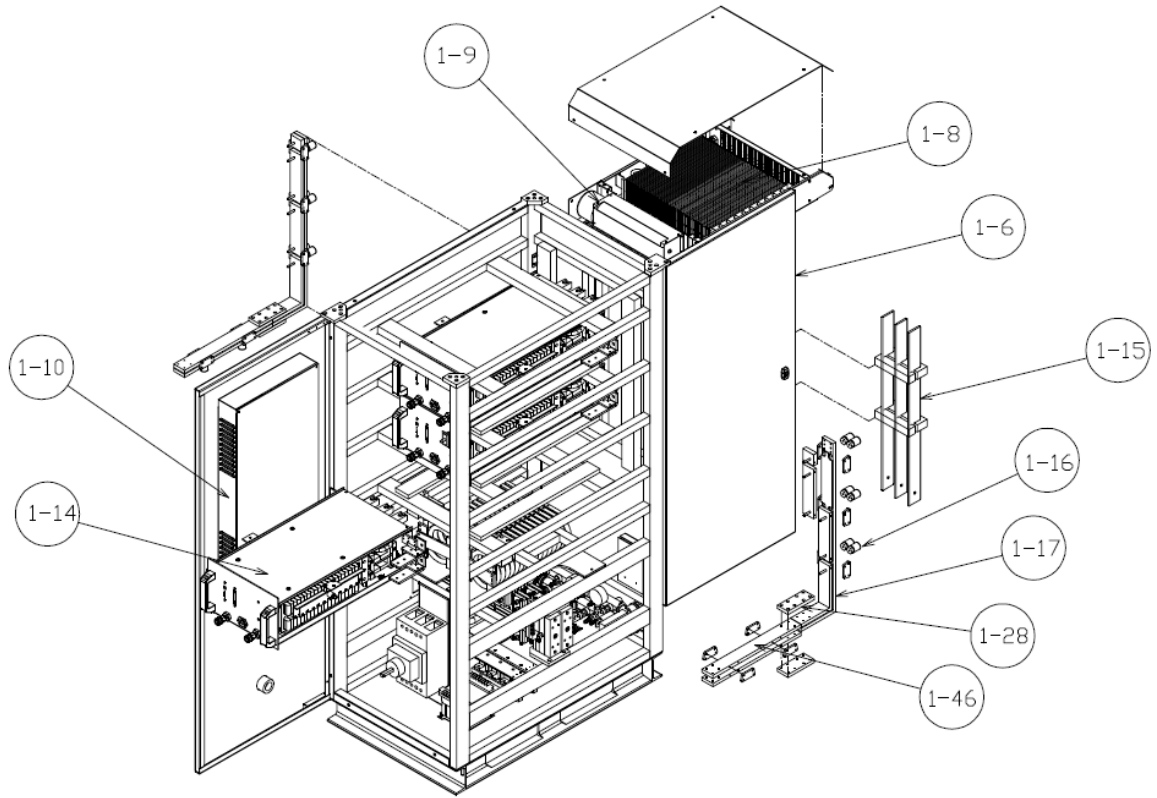


Figure 2-2: Main assembly

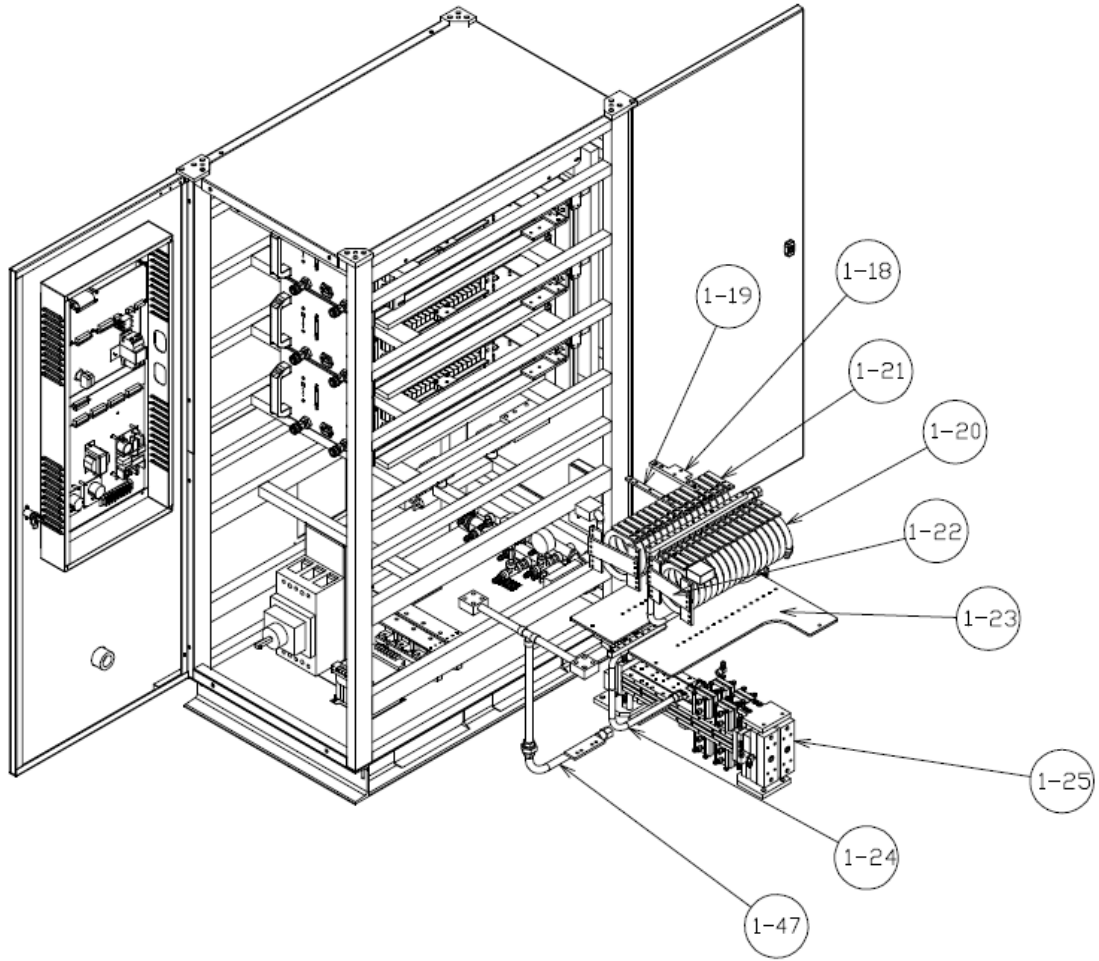


Figure 3-3: Main assembly

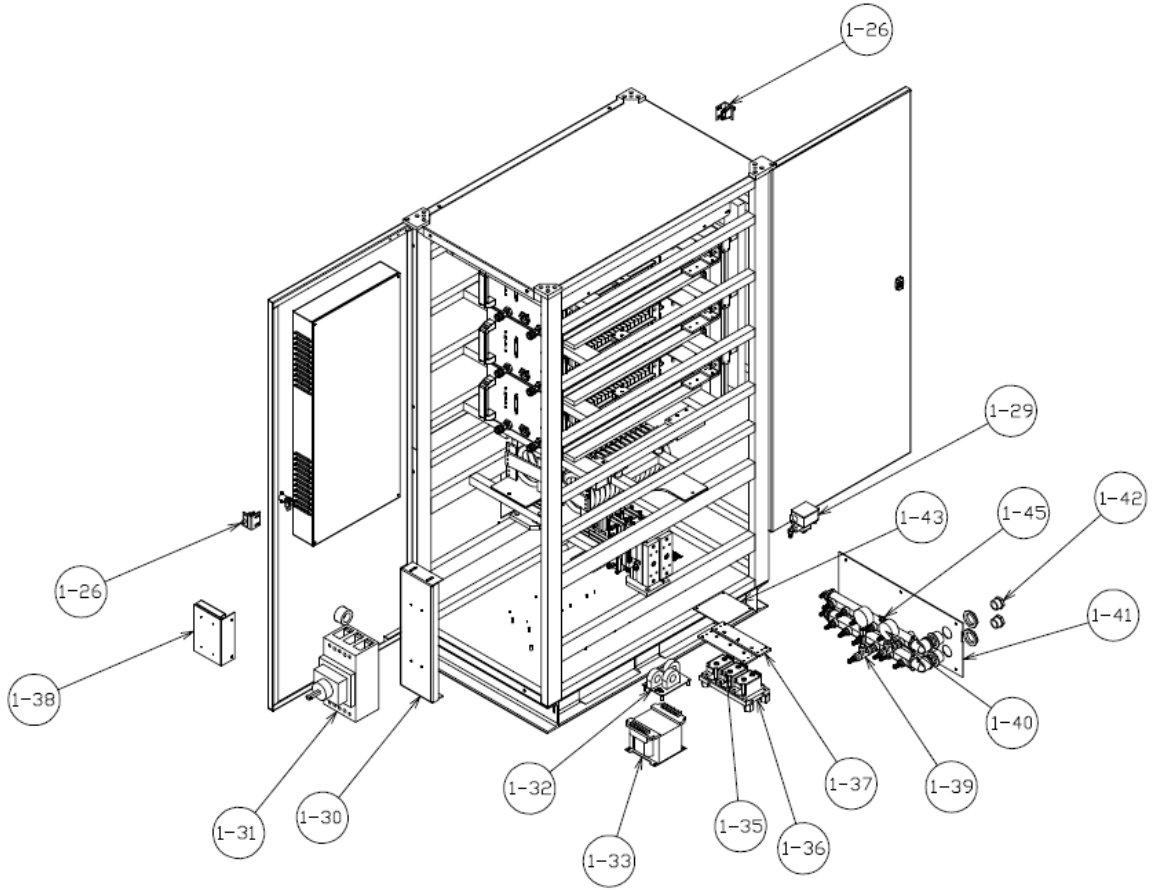


Figure 4-4: Main assembly

Item No.	Q'ty	Description	Part Number
1-1	1	FRAME	11250154
1-2	1	TOP, PLATE	11250612
1-3	2	SIDE COVER, TOP	11250615
1-4	2	SIDE COVER, BOTTOM	11250616
1-5	1	COVER, OUTPUT BUS (OPEN).	11250621
1-6	1	REAR DOOR	11250614
1-8	1	RADIATOR, Cooler	RADR0120
1-9	1	FAN, Cross flow, 220V	FANZ0240
1-10	1	PCB COVER	11250667
1-14	3	INVERTER Module Assy 40KVA	11250400
1-15	3	LINE BUSBAR	11270621
1-16	12	SUPPORT 35mm	11250261
1-17	2	MODULE BUS_4	11250269
1-18	1	BUS, TOP CROSS BAR COIL	11250903
1-19	1	STABILZER BAR, COIL	11250919
1-20	1	WELDMENT, COIL, RIGHT SIDE	11250901
1-21	1	WELDMENT, COIL, LEFT SIDE	11250904
1-22	2	BUS, INDUCTOR STRAP	11250905
1-23	1	SUPPORT, INDUCTOR	11250914
1-24	1	BUS, COIL, CENTER CONNECT	11250902
1-25	1	CAP. RAIL ASSY	11250800
1-26	2	SWITCH, Door interlock	SWIT0161
1-29	1	SWITCH, DP, 4-43 PSI	SWIT0490
1-31	1	CIRCUIT BREAKER, LS TS250NU	CIBR0800
1-32	1	PCB ASSY., Supply CT	11170585B-120
1-35	3	Diode, SKKD 26016(1600V)	
1-36	1	Diode Heat Sink	
1-37	2	DIODE, JUMPER BAR	11250642
1-38	1	PCB ASSY., EXT-TERM	11250755B
1-39	2	HEADER, Cooler water	11250110
1-40	2	PRESSURE GAUGE, 6kg/cm2	METE0006
1-41	1	PLATE, Rear	11250163
1-42	2	FITTING, BUSHING 1"PTM-3/4"PTF	FITT0725
1-43	1	COVER, Plate rear	11250169
1-44	1	SENSOR , Temp, Water inlet	SWIT0185
1-45	1	SWITCH, Temp., 110°F	SWIT0617
1-46	1	LED Indicator	11250795A
1-47	1	BUS, TO CAP. RAIL_2	11250267

Table 1: Main assembly

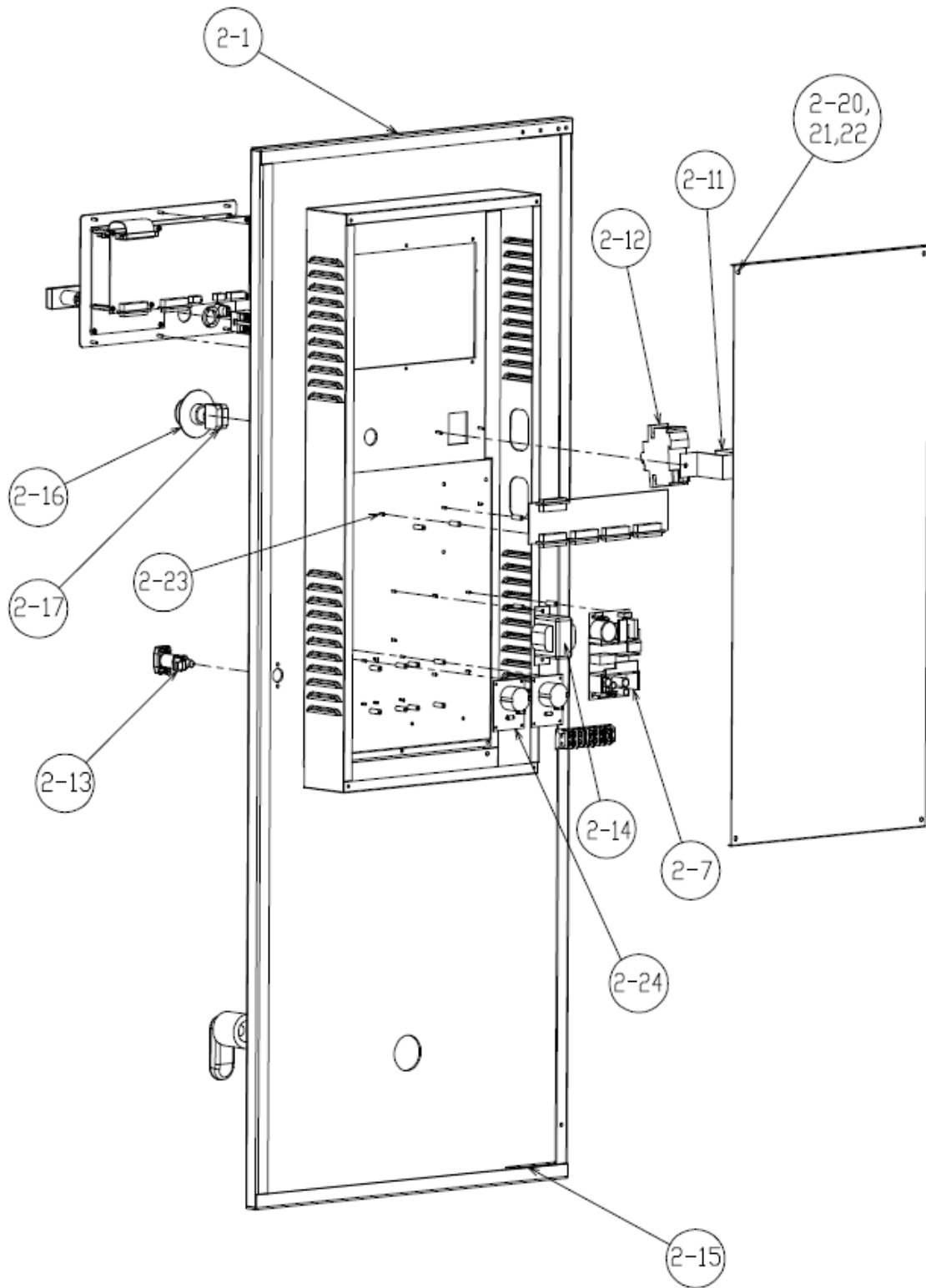


Figure 5-1: Door assembly

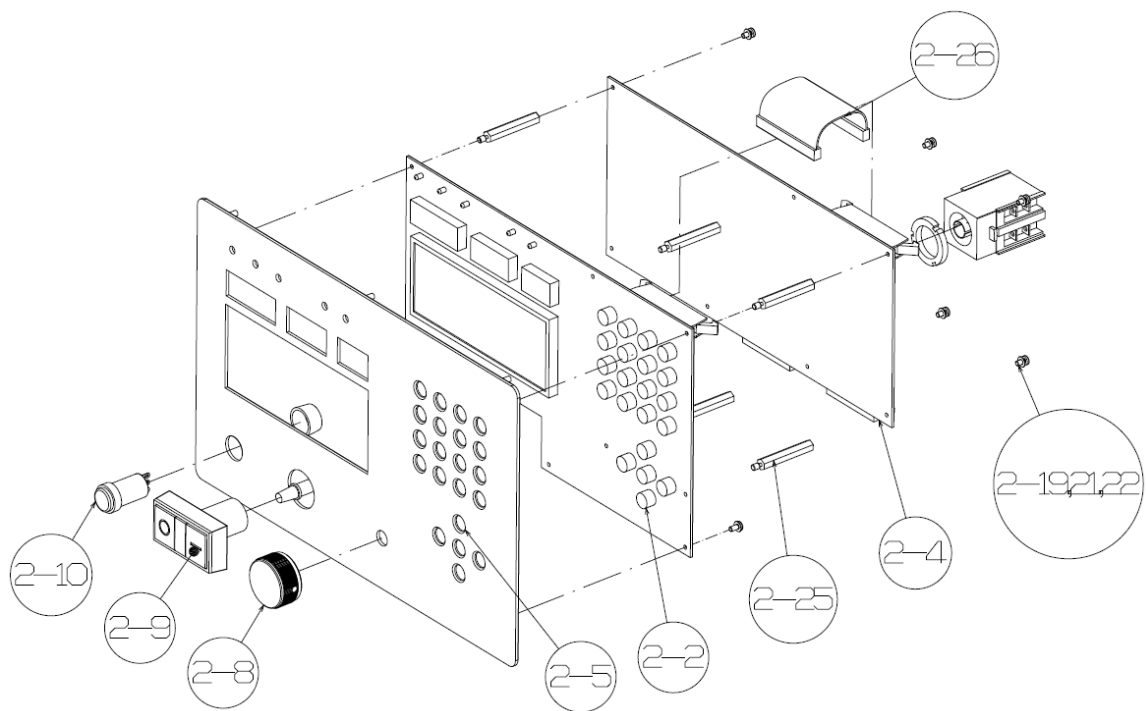


Figure 6-2: Display assembly

Item No.	Q'ty	Description	Part Number
2-1	1	DOOR. Front	11250613
2-2	1	PCB ASSY.,,., Display	11250545E
2-4	1	PCB ASSY.,. Control	11250505E
2-5	1	DISPLAY PANEL	11250720C
2-7	1	POWER SUPPLY, switching, 12VDC, 40W	POWS0620
2-8	1	KNOB, 1-1/4" DIA. x 5/8"	KNOB0310
2-9	2	SWITCH, Heating	SWIT0277
2-10	1	SWITCH, Reset	SWIT0884
2-11	1	BRACKET, Circuit breaker	11170922
2-12	1	CIRCUIT BREAKER, 240V, 6A, 2 pole	CIBR0621
2-13	1	HANDLE, Locking	HAND0002
2-14	1	TRANSFORMER, DT-1077A	TRAN1077
2-15	2	DOOR SUPPORT	11250168
2-16	1	SWITCH, E-stop	SWIT0784
2-17	2	CONTACTS, NC	SWIT0785
2-19	14	SCREW, 6-32 x 3/8, PHPH, BR	SCRW7476
2-20	4	NUT, HEX, 6-32, BR	NUTS0246
2-21	18	WASHER, LOCK, #6, BR	WASH0435
2-22	18	WASHER, FLAT, #6, BR	WASH0436
2-23	6	S-OFF 1/4RND X 3/4", 6-32, FF,NL	STAN0727
2-24	2	PT board	DT-1066S2
2-25	7	S-OFF, 1/4HEX 31.8mm, 6-32, FM, AL	STAN0723
2-26	1	WIRE, PLATE 30P ASSY	CABL0300

Table 2: Door and Display assembly

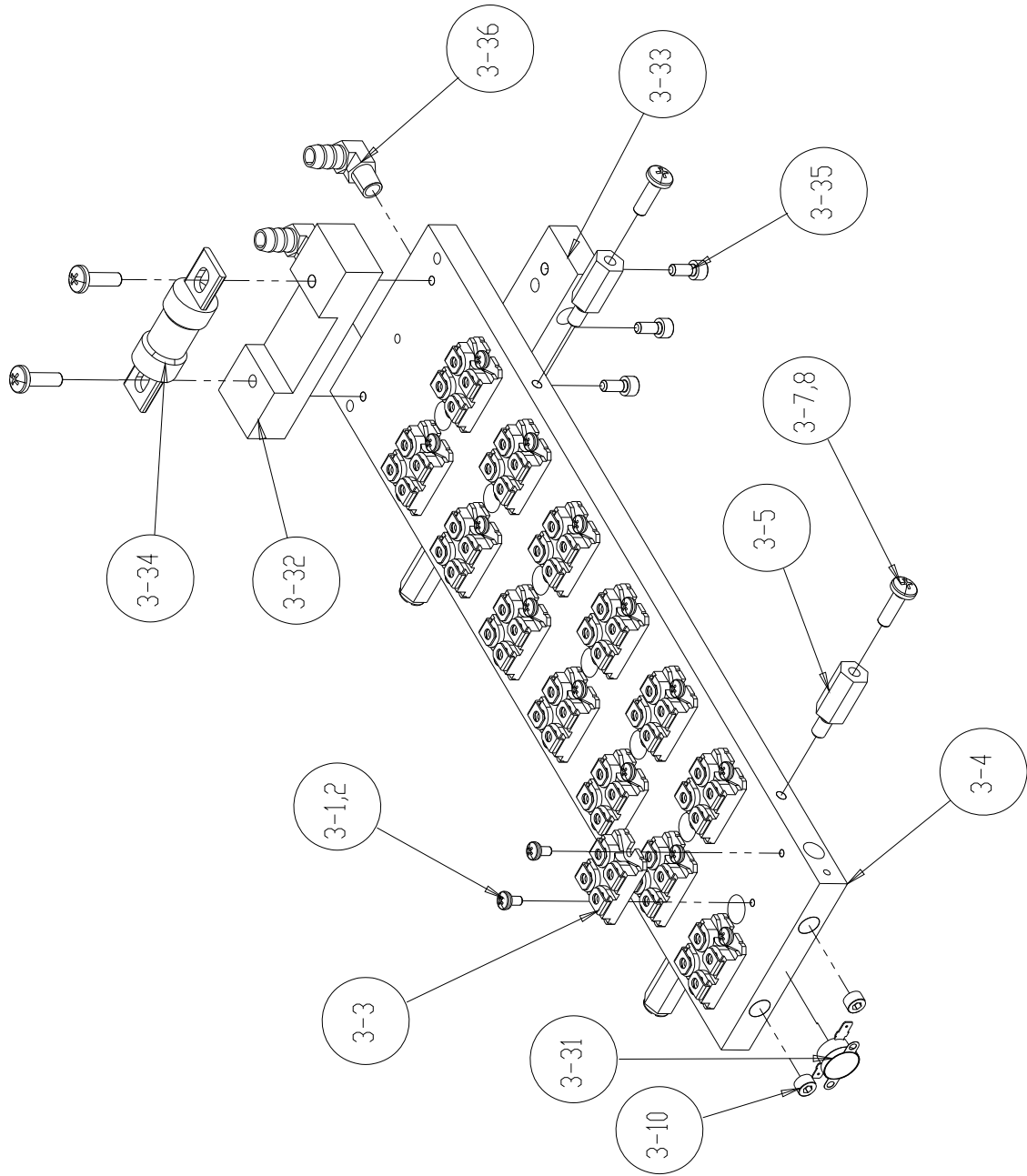


Figure 3-1 : Inverter assembly

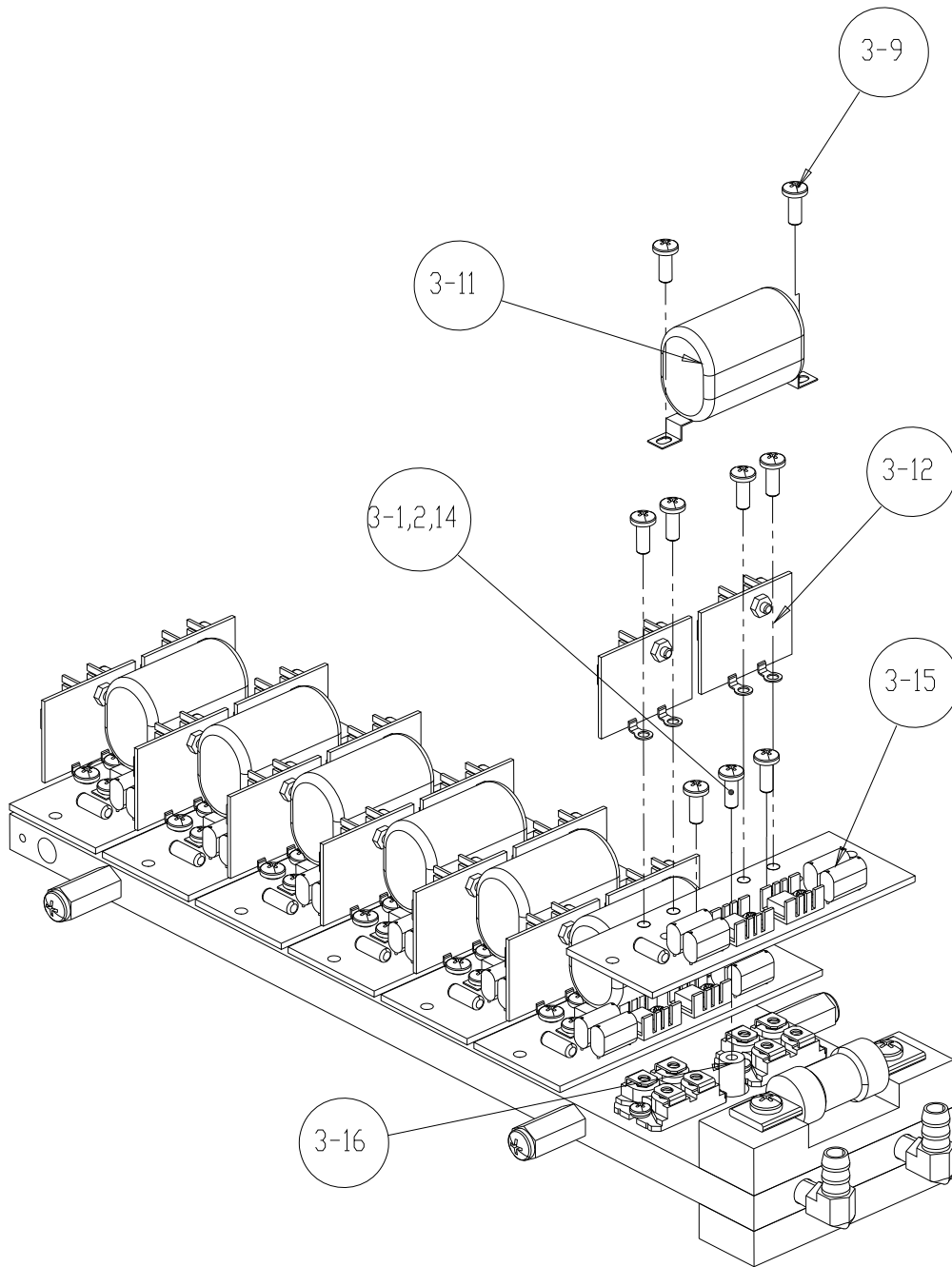


Figure 3-2 : Inverter assembly

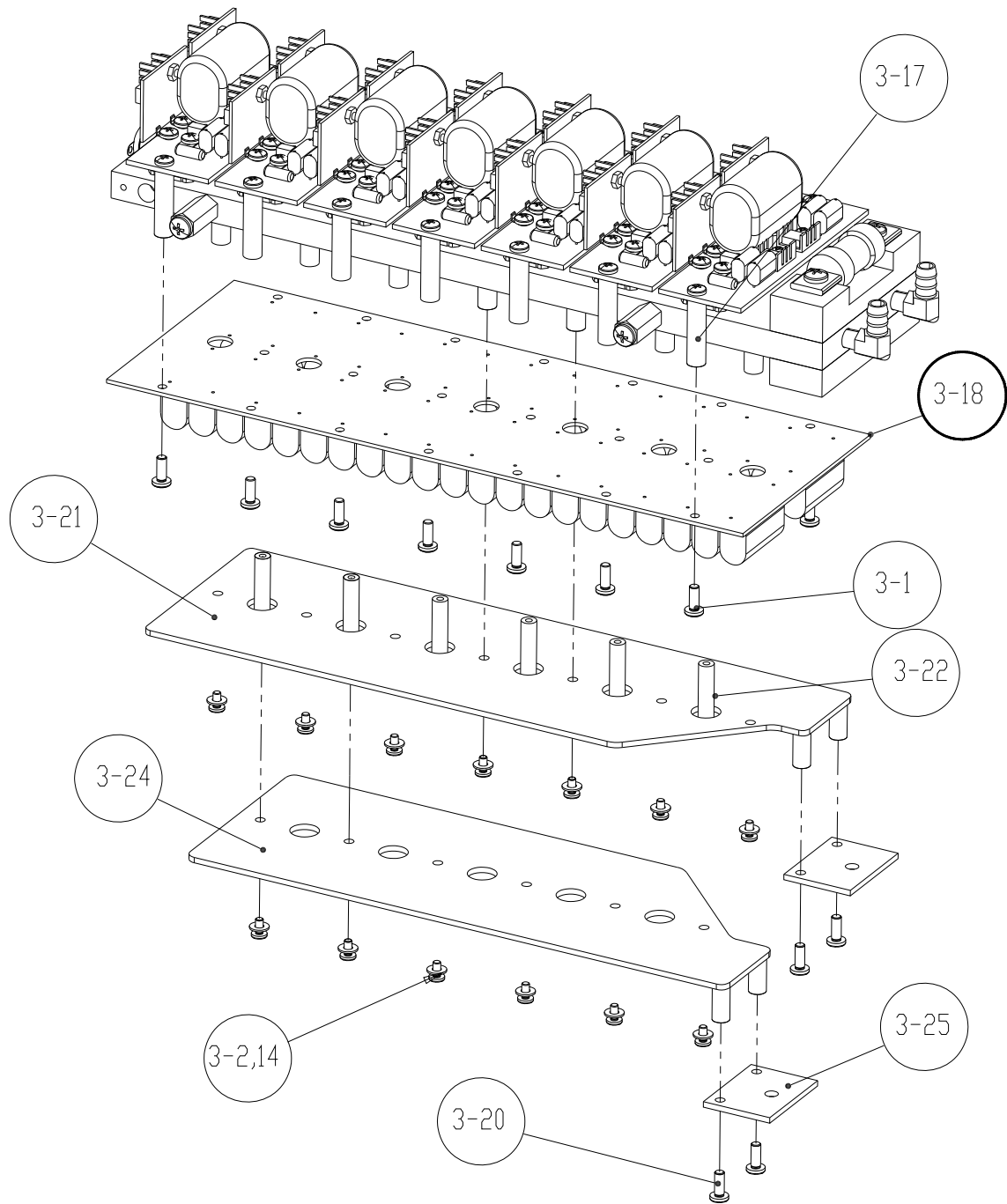


Figure 3-3 : Inverter assembly

INVERTER ASM 40kW

Item No.	Q'ty	Description	Part Number
3-1	82	Screw, 8-32 x 1/2, PHPH,BR	SCRW0089
3-2	138	Washer, Lock #8,BR	WASH0429
3-3	14	MOSFET, 1200V, 32A	MOSF0232
3-4	1	Heatsink, Inverter	11270425
3-5	4	STANDOFF, 1/2H, 1,1/4-20,MF,AL	STAN0188
3-7	4	Screw, 1/4-20 x 5/8 PHPH,BR	SCRW0011
3-8	2	Washer, Lock, 1/4 SB	WASH0501
3-9	56	Screw, M4 x 8mm, PHPH,BR	SCRW0102
3-10	3	Screw, 1/8NPT x 3/8" NHSO.SS	
3-11	7	Capacitor 2.2uF, 1000V Film	CAPA0305
3-12	14	PCB, ASM, Gate Drive	11170525
3-14	110	Washer, Flat #8,BR	WASH0454
3-15	7	PCB,ASM, Snubber	11230515
3-16	7	Standoff, 5/16 RNDX 3, 8/32-20	STAN0002
3-17	14	S-OFF, 5/16 RND X 1 1/14,8-32	STAN0198
3-18	1	PCB ASM, Divider Capacitors	11230705
3-20	4	Screw, 10-32 x 1/2, PHPH, BR	SCRW0051
3-21	1	BUS, DC, Inverter	11270409
3-22	6	S-OFF, 3/8 RND x 2-3/4, 8-32,FF,AL	STAN0724
3-24	1	BUS, AC inverter	11270408
3-25	2	Plate, X'former Connection	11170410
3-33	1	INVERTER COOLING HAED	11270619
3-34	2	Fuse, 500V, 60A	FUSE0340
3-35	3	Screw, 10-32 x 3/4, SHSO, SS	SCRW1005
3-36	2	FITTING, ELB, 3/8 C - 1/8NPM, BR	

Table 3: Inverter Module Assembly

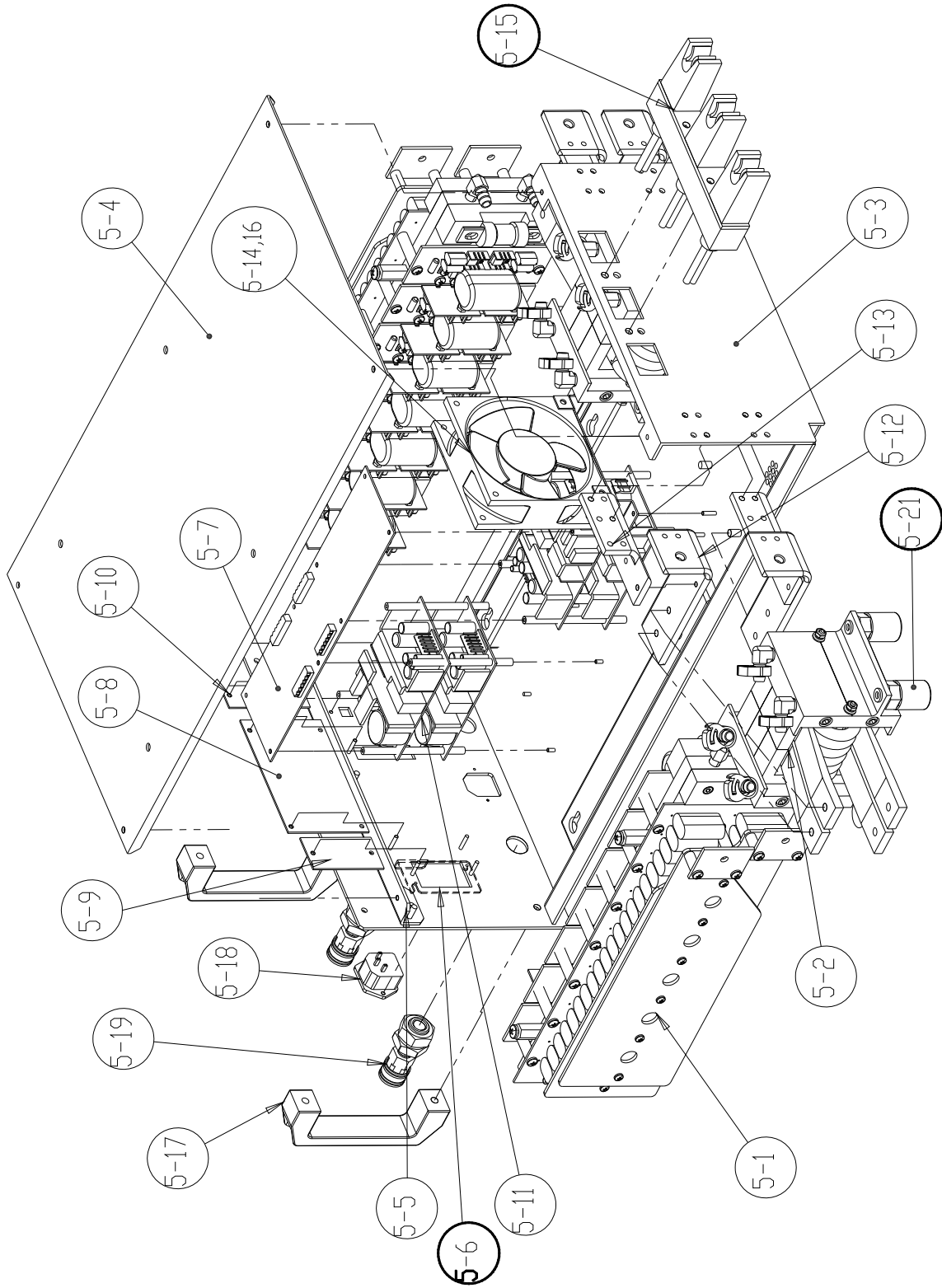


Figure 3-4 : Inverter Module assembly

Item No.	Q'ty	Description	Part Number
5-1	2	Inverter Assy	11270400
5-2	2	Transformer, Matching Assy	11270200
5-3	1	Inverter, Cabinet	11270601
5-4	1	Cover, Inverter Cabinet	11270603
5-5	1	Bracket, Inverter Cabinet	11270616
5-6	1	Cover, PCB	11270620
5-7	1	PCB assy, Buffer	11270572
5-8	1	PCB assy, Inv. Control	11270732
5-9	1	PCB assy, Inverter (PT)	11270322
5-10	1	PCB assy, Inverter LED	11270312
5-11	4	Power Supply, switching, 12VDC, 40W	POWS0619
5-12	4	Transformer Connection	11170613
5-13	4	Supporter, Modules Outbus	11170614
5-14	1	Fan, Bracket	11170617
5-15	1	DC input, Connector	
5-16	1	FANS, 230V, AC, 120mm	FANS0230
5-17	2	Handle	
5-18	1	Socket, AC 220V	
5-19	2	Fitting, Q'Dis connection	
5-21	8	S-off, 1/4"H 30mm, M6,FF,INS	

INVERTER MODULE ASM 40kW

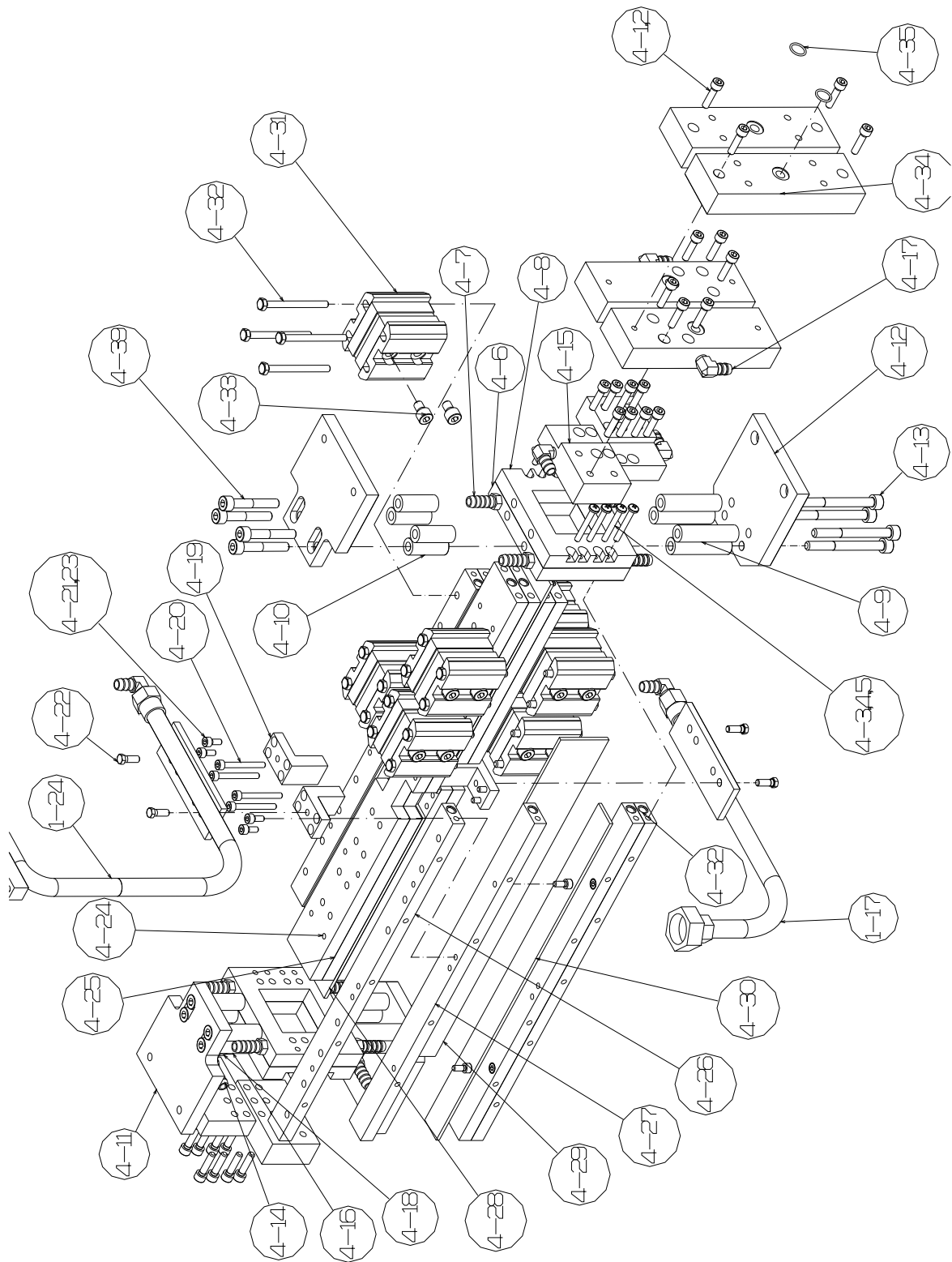


Figure 4-1: Cap. Rail assembly (Parallel configuration)

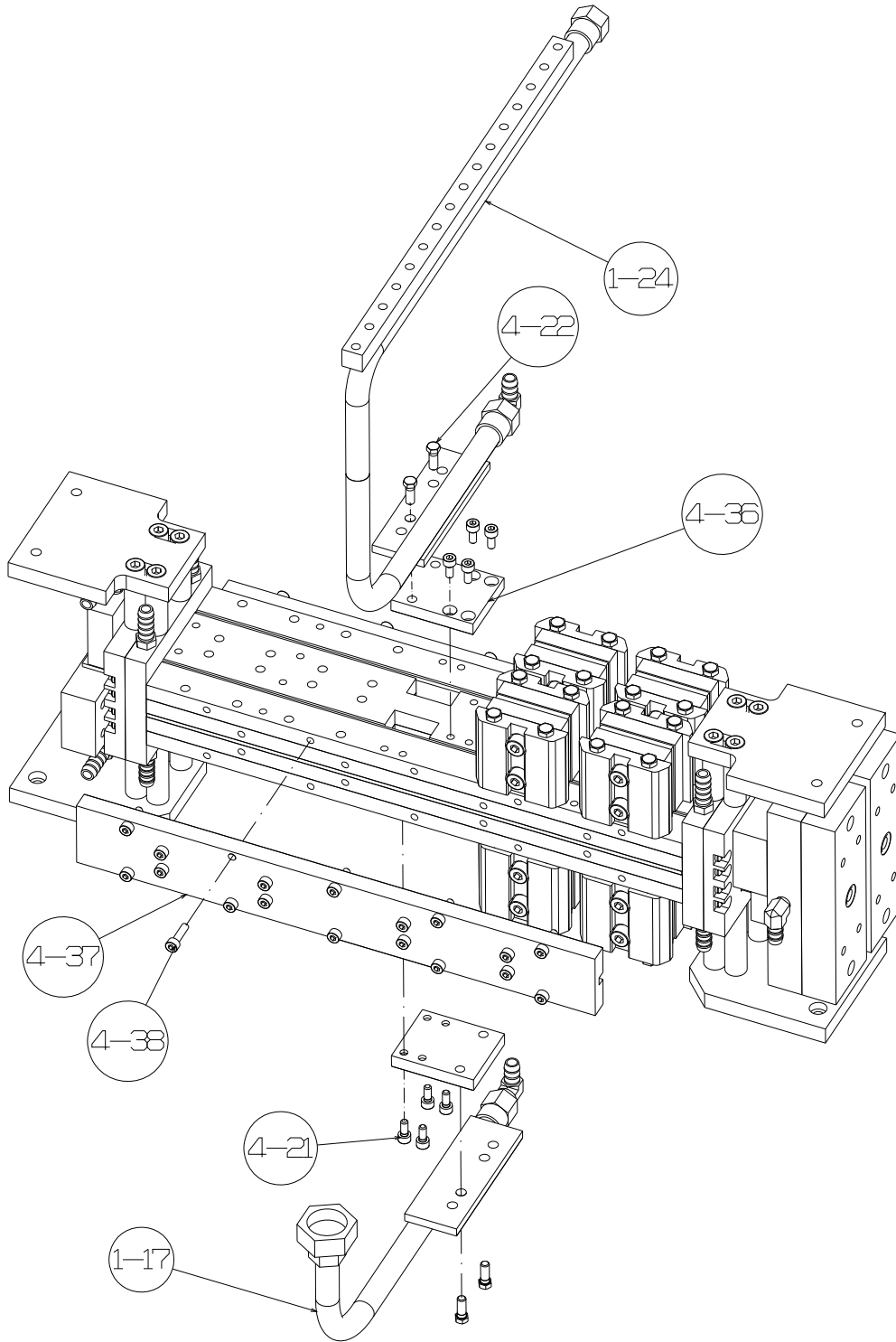


Figure 4-2: Cap. Rail assembly (Series / Parallel configuration)

Item No.	Q'ty	Description	Part Number
1-17	1	BUS, TO CAP. RAIL_2	11250267
1-24	1	BUS, COIL, CENTER CONNECT	11250902
4-1	32	SCREW, 1/4-20X1", SHSO, SS	
4-2	94	WASHER, LOCK, 1/4, BR	WASH0439
4-3	16	SCREW, 10-32X1-1/2, PHPH, BR	SCRW0188
4-4	16	WASHER, LOCK, #10, BR	WASH0456
4-5	16	WASHER, FLAT, #10, BR	WASH0434
4-6	2	MANIFOLD, CONNEDTION, ULTEM	11250833
4-7	8	FITTING, 3/8" TUBEID, 1/8" NPT NYLO	FITT0022
4-8	2	MANIFOLD, CONNEDTION	11250873
4-9	8	SPACER, TEFLON, 60mm	11250846
4-10	8	SPACER, TEFLON, 38mm	11250846
4-11	2	SUPPORT, CAP. ASSY._TOP	11250878
4-12	2	SUPPORT, CAP. ASSY._BOTTOM	11250877
4-13	8	SCREW, M8X75mm, SHSO, SS	SCRW0145
4-14	4	FITTING, UNI 3/8" B -1/8" NPM, BR	FITT0004
4-15	4	MANIFOLD, OFFSET, END, BLOCK	11250835
4-16	2	FITTING, TEE, 1/8" PTF, BR	FITT0001
4-17	4	FITTING, ELB 3/8" B -1/8" PTM, BR	FITT0030
4-18	2	FITTING, NIPPLE, 1/8" PTM, BR	FITT0050
4-19	4	CONNECTOR, CAP RAIL	11250836
4-20	8	SCREW, 10-32X1-8/8", SHSO, SS	SCRW0328
4-21	8	SCREW, 10-32X1/2", SHSO, SS	SCRW0100
4-22	4	SCREW, 1/4-20X3/4", HH, BR	SCRW0007
4-23	52	WASHER, LOCK, #10, SB	WASH0456
4-24	2	BUS, CAP RAIL, CENTER_OUT	11250831
4-25	2	BUS, CAP RAIL, CENTER_IN	11250831
4-26	4	BUS, CAP RAIL, SIDE_OUT	11250832
4-27	4	BUS, CAP RAIL, SIDE_IN	11250832
4-28	1	INSULATOR, STRIP, CENTER	11250838
4-29	2	INSULATOR, STRIP, SIDES	11250839
4-30	2	INSULATOR, STRIP, MIDDLE	11250845
4-31	16	CAPACITOR, 0.21uf, 1000V, 400A	CAPA0305
4-32	64	SCREW, 1/4-20X70mm, HH, BR	SCRW2070
4-33	64	SCREW, M8X12mm, SHSO, SS	SCRW0812
4-34	2	BUS, END, BLOCK	11250834
4-35	24	O-RING, 1/16X1/4X3/8	ORIN9452
4-36	2	SERIES CONNECTOR CAP. RAIL	11250875
4-37	2	JUMPER CAP. RAIL	11250876
4-38	16	SCREW, 10-32X3/4", SHSO, SS	SCRW0052
4-39	64	SCREW, M8X50mm, SHSO, SS	SCRW0850

Table 4: Cap. Rail assembly