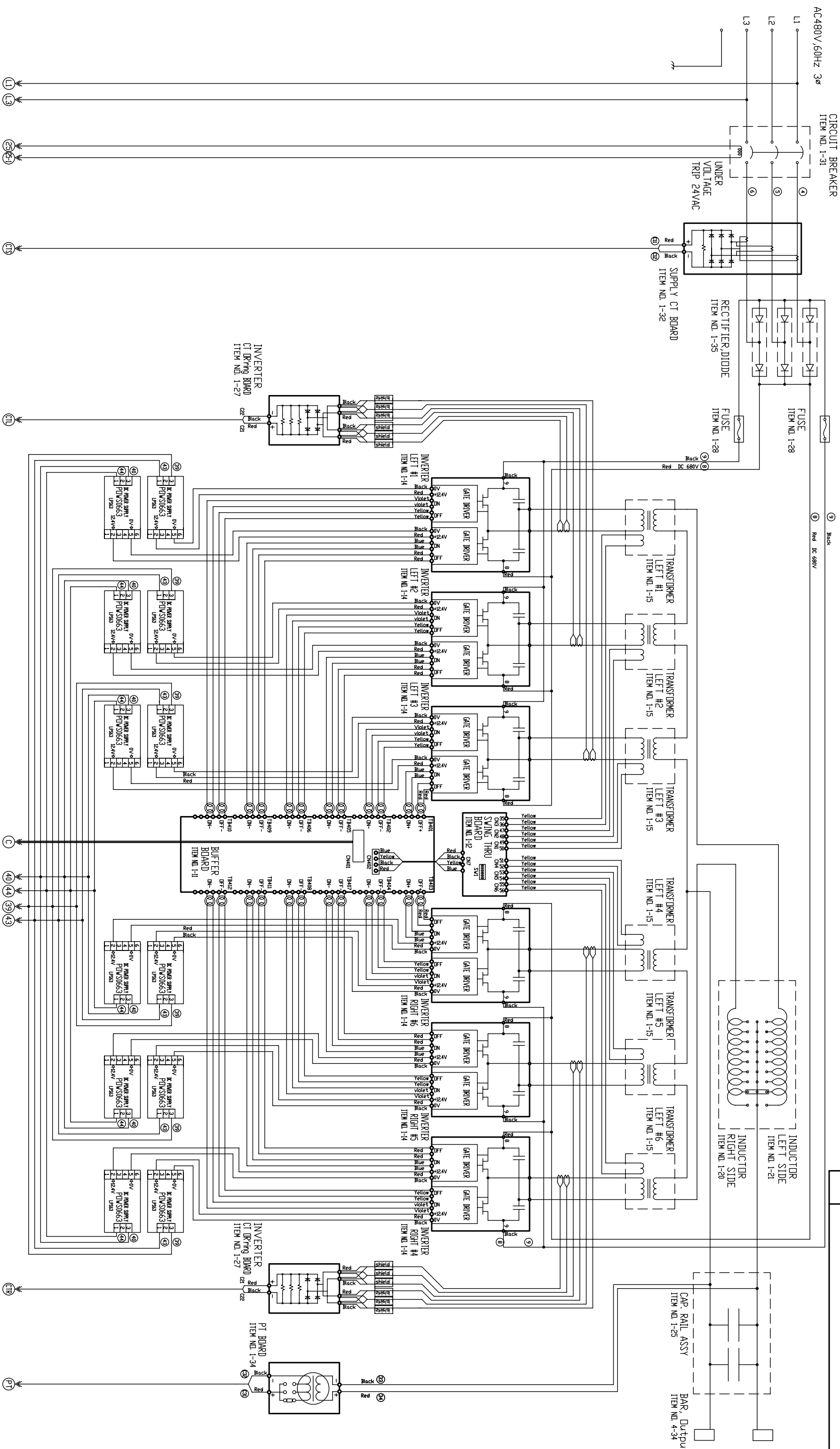


REV.	DESCRIPTION
A	100K V NEW MIDDLE



QUANTITY PER UNIT		SIZE		SHEET 1 OF 2		UNLESS OTHERWISE SPECIFIED	
							THE DIMENSIONS AND TOLERANCES ARE IN INCHES UNLESS OTHERWISE SPECIFIED
							FINISH: XXX 2.000
							WATERFALL
							SCALE: NONE
							DO NOT SCALE DRAWING
							REV. BY DATE
							REV. NO.
WIRING				120 KW UNIT			
Precision Power Systems & Technology, Inc.				DRAWN BY: YANG DATE: 07.06.08 DWG. NO.:			

