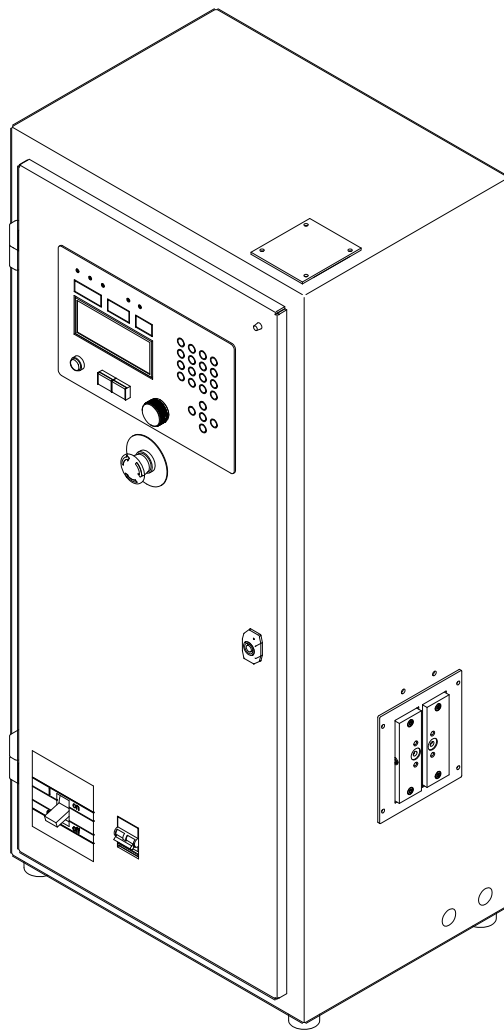


PPST SS-400 Series Induction Power Supplies

Spare Parts



Model 12.5-240-135/400-4
Revision 07.05.16

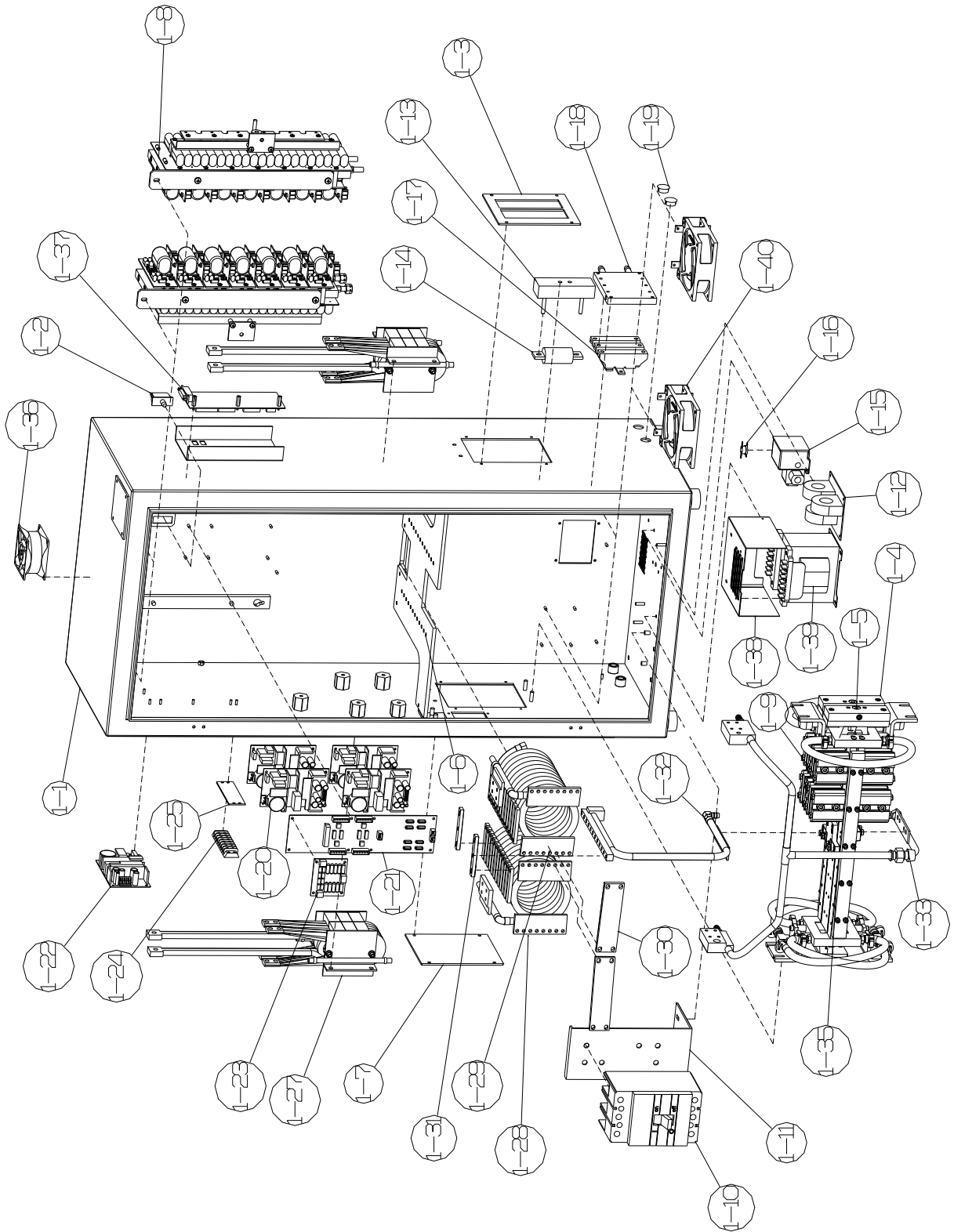


Figure 1: Cabinet assembly

Item No.	Qty.	Description	Part Number
1-1	1	CABINET	11230633
1-2	1	SWITCH, door interlock	SWIT0161
1-3	1	COVER, output	11170821
1-4	2	BAR, output	11170819
1-5	2	O-RING, 1/16" thick x 5/8" O.D.	ORIN0004
1-6	1	SUPPORT INDUCTOR	11230914
1-7	1	COVER, output, blank	11170816
1-8	1	INVERTER, 12.5kVA	11230401
1-9	12	CAPACITOR, 210nF, 700V, film	CAPA5021E
1-10	1	CIRCUIT BREAKER, 600V, 50A	CIBR0495
1-11	1	BRACKET, circuit breaker	11170637
1-12	1	PCB ASSY., supply CT	11170585
1-13	1	FUSE HOLDER	FUSE0623
1-14	1	FUSE, 500V, 80A, semiconductor	FUSE0344
1-15	1	SWITCH, DP, 4-43PSI	SWIT0490
1-16	1	SWITCH, temp., 110°F	SWIT0617
*	1	SWITCH, temp output, 60°C/140°F	SWIT0150
1-17	3	DIODE, dual module, 1600V, 60A	DIOD0634
1-18	1	HEAT SINK, rectifier	11170440
1-19	2	CAP, hole, 3/4"	PLUG0001
1-20	2	POWER SUPPLY, switching, 12VDC, 60W	POWS0663
1-21	1	PCB ASSY., buffer	11230575C-240
1-22	1	POWER SUPPLY, switching, tri. output, 40W	POWS0620
1-23	1	PCB ASSY., inverter CT OR'ing	11230552
1-24	1	TERMINAL BLOCK, 8 pos.	TERM0836
1-25	1	COVER, for terminal block	TERM0618
1-26			
1-27	1	TRANSFORMER, matching	11170200B
1-28	1	INDUCTOR, left	11230904
1-29	1	INDUCTOR, right	11230901
1-30	2	BAR, shorting	11170905
1-31	1	BUS, TOP, CROSSBAR	11170903
1-32	1	BUS, COIL, CENTER CONNECT	11170902
1-33	1	BUS, Transformer	11230841
1-34	1	BUS, Inductor	11170842
1-35	1	CAP. RAIL ASSY	11230800
1-36	1	FAN, 3.14", 230V	FANZ0632
1-37	1	PCB ASSY., EXT-TERM	11230612
1-38	1	TRANS COVER	11230301
1-39	1	TRANSFORMER, DT-1079	TRAN1079
1-40	1	FANS, 230V, AC, 120mm	FANS0230

Table 1: Cabinet assembly

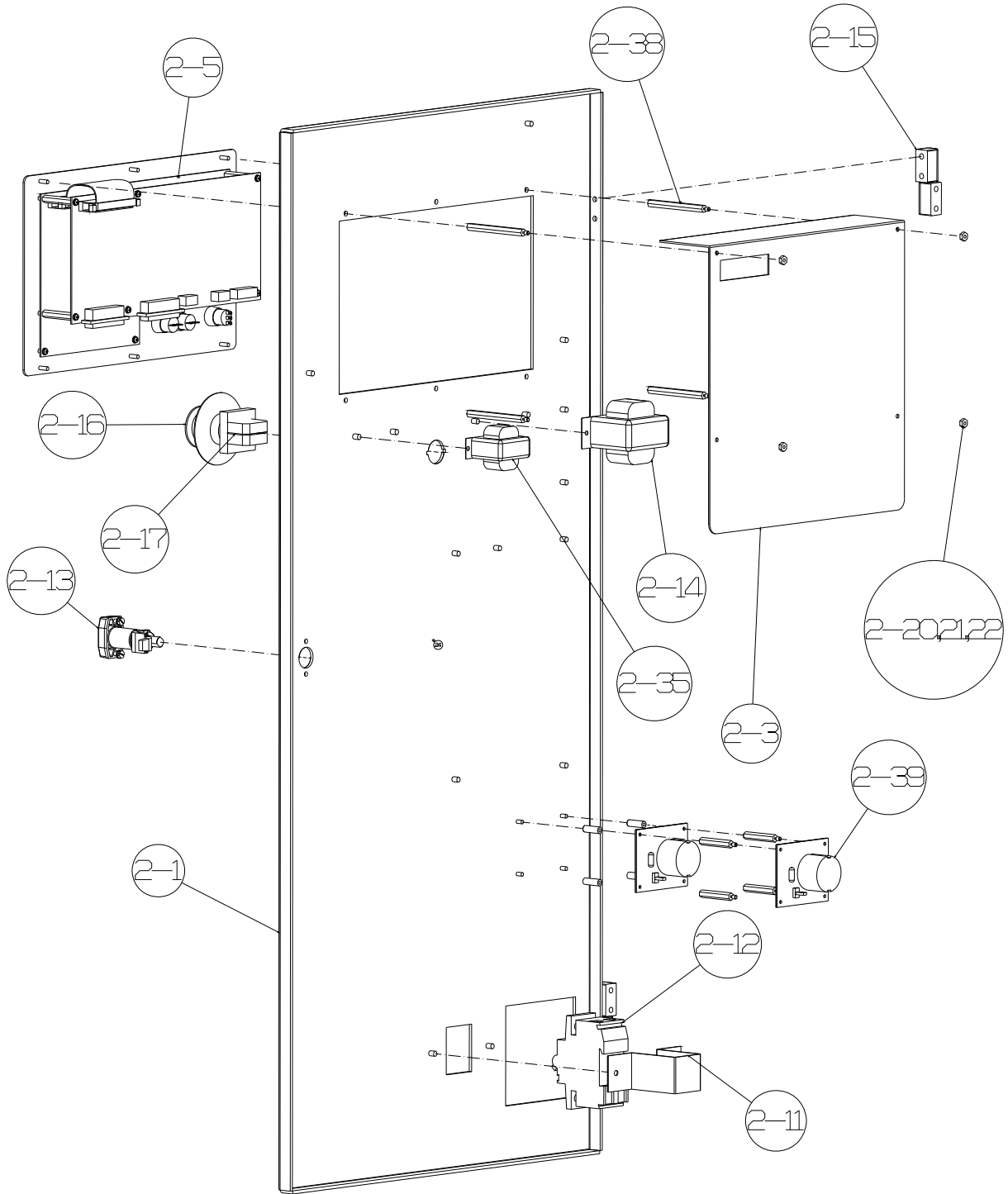


Figure 2-1: Door assembly

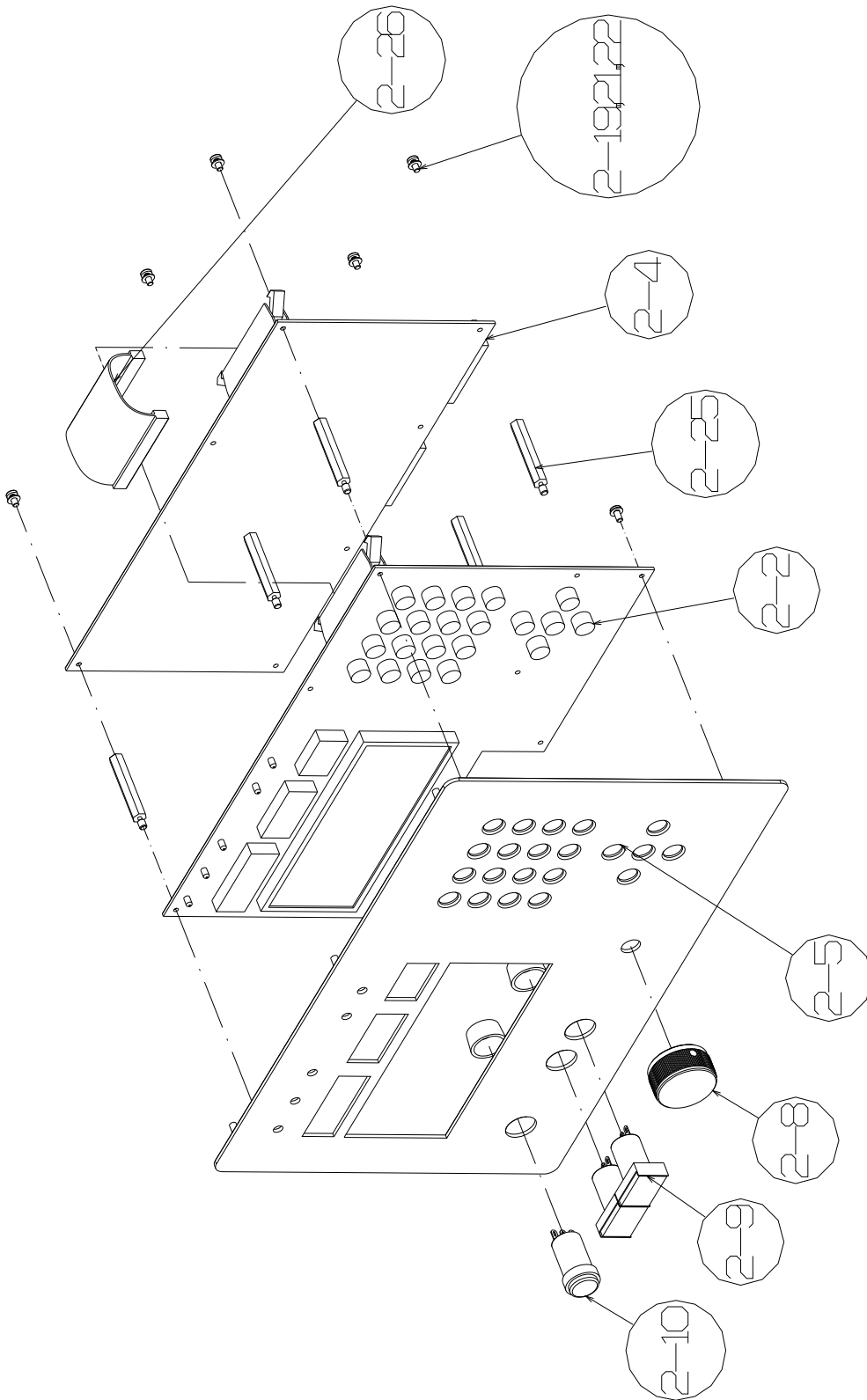


Figure 3-2: Door assembly

Item No.	Qty	Description	Part Number
2-1	1	Door	11230634
2-2	1	PCB assy., display	11250545
2-3	1	COVER. Display ASSY.	11170307
2-4	1	PCB assy., control	11250505
2-5	1	Front panel	11250721
2-8	1	Knob, 1-1/4" dia. x 5/8"	KNOB0310
2-9	1	Button, heating switch	SWIT0277
2-10	1	Switch, reset	SWIT0884
2-11	1	Bracket, circuit breaker	11170922
2-12	1	Circuit breaker, 240V, 6A, 2 pole	CIBR0621
2-13	1	Handle, locking	HAND0002
2-14	1	Transformer, DT-1077	TRAN1077
2-15	2	Hinges	HING0978
2-16	1	Switch, e-stop	SWIT0784
2-17	2	Contacts, NC	SWIT0785
2-19	10	SCREW, 6-32 x 3/8, PHPH, BR	SCRW7476
2-20	4	NUT, HEX, 6-32, BR	NUTS0246
2-21	18	WASHER, LOCK, #6, BR	WASH0435
2-22	18	WASHER, FLAT, #6, BR	WASH0436
2-25	7	S-OFF, 1/4HEX 31.8mm, 6-32, FM, AL	
2-26	1	WIRE, PLATE 30P ASSY	
2-35	1	Transformer, DT-1076	TRAN1076
2-37	4	S-OFF, 1/4HEX 90mm, FM, AL	
2-38	6	S-OFF, 1/4HEX 31.8mm, 6-32, FM, AL	
2-39	1	PCB ASSY., PT	11170535

Table 2: Door assembly

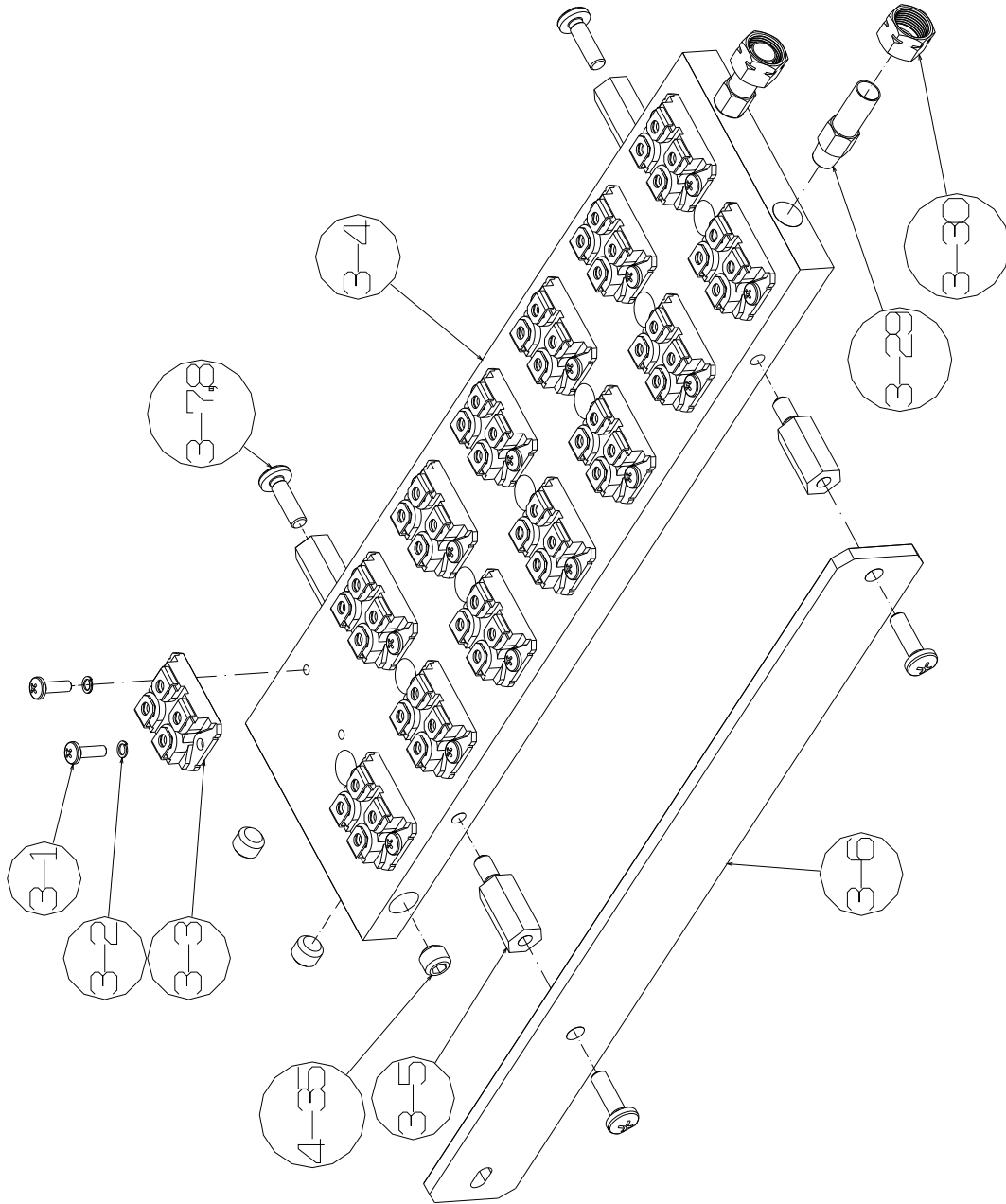


Figure 3-1: Inverter assembly

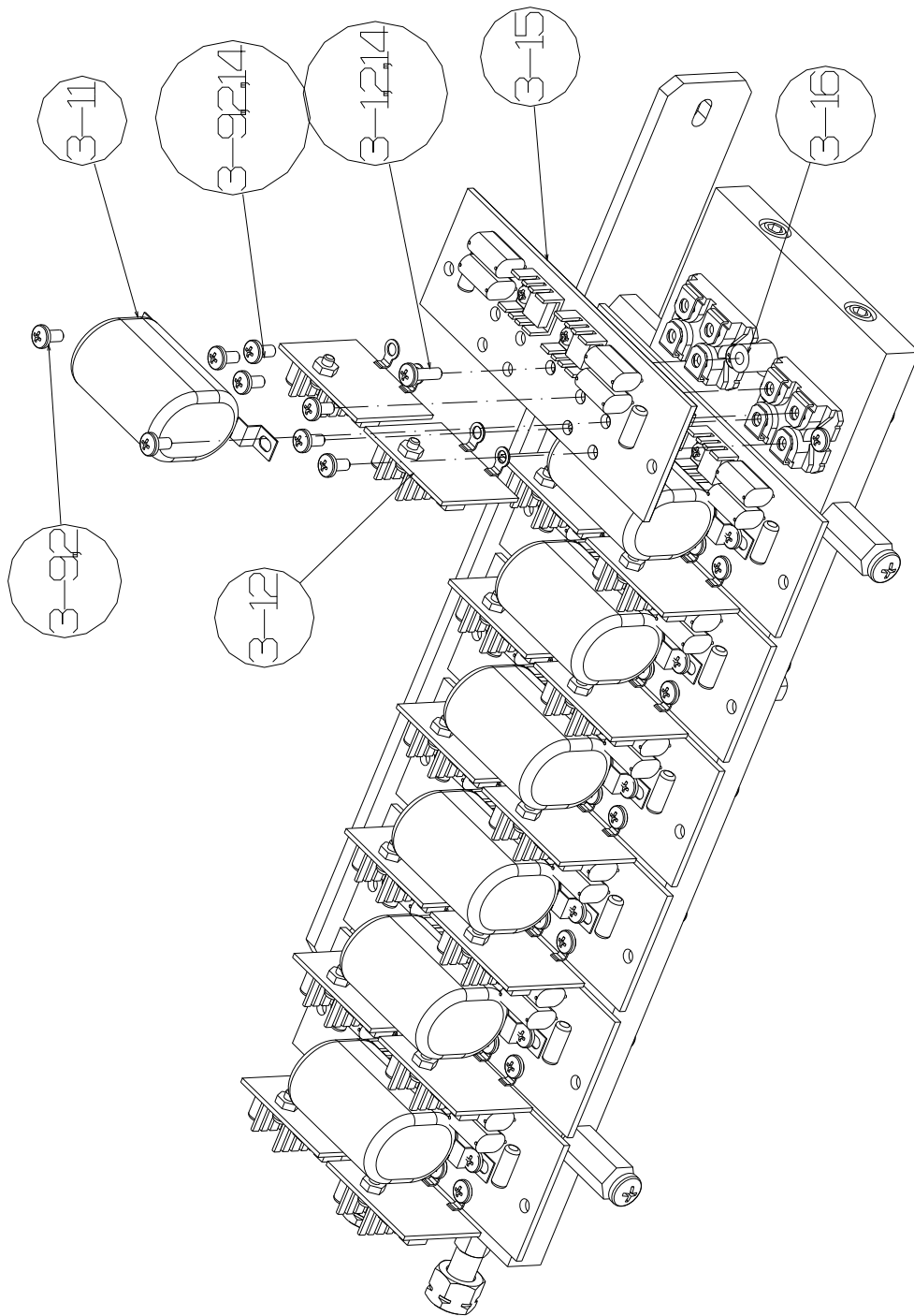


Figure 3-2: Inverter assembly

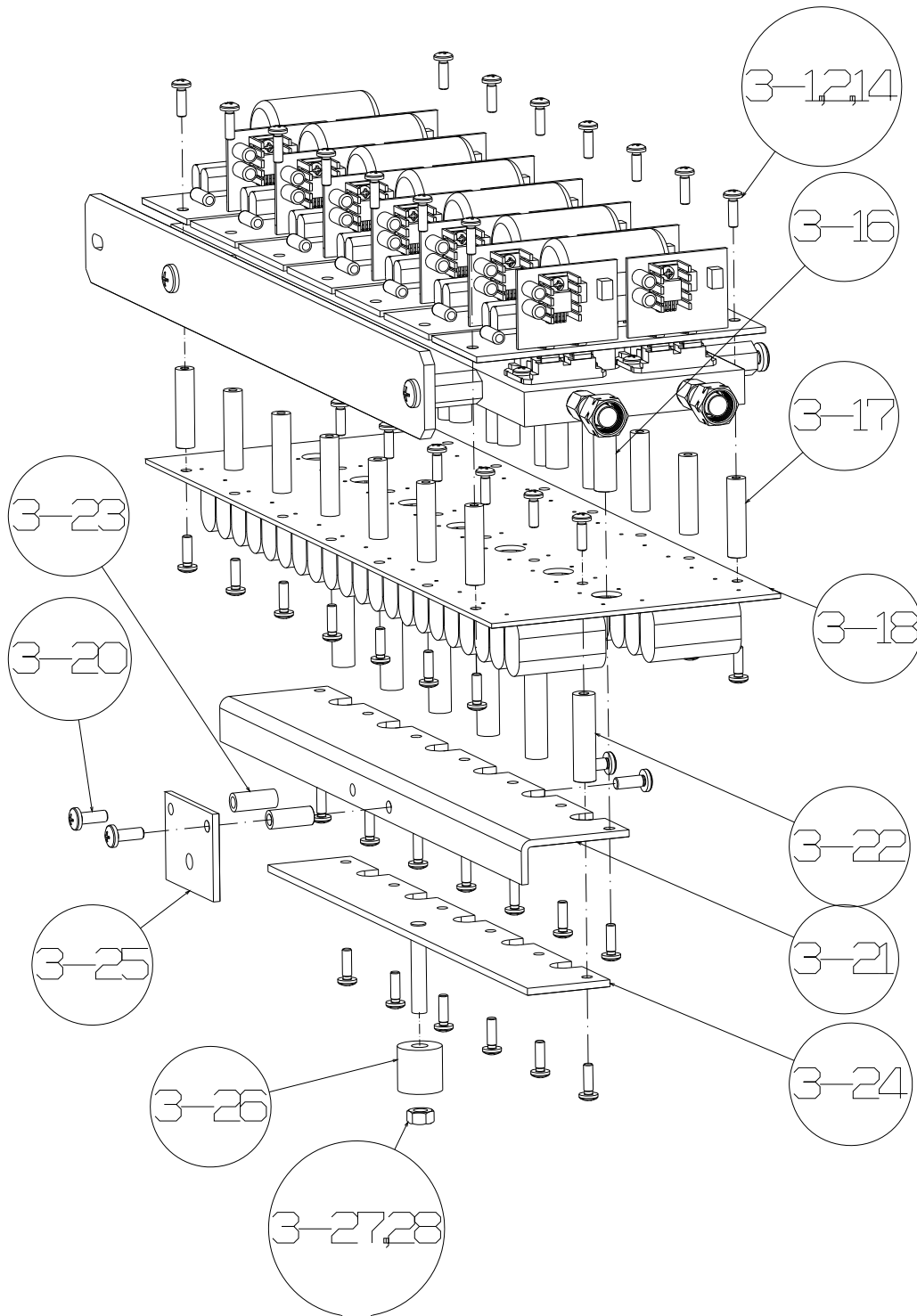


Figure 3-3: Inverter assembly

INVERTER ASM 12.5KW

ASM	PART#	DESCRIPTION
3-1	SCRW0089	SCREW, 8-32 X 1/2, PHPH, BR
3-2	WASH0429	WASHER, LOCK, #8, BR
3-3	MOSF0270	MOSFET, 600V,70A
3-4	11230425	HEATSINK, INVERTER
3-5	STAN0188	STANDOFF, 1/2 H, 1, 1/4-20. MF, AL
3-6	11230420	HANDLE, INVERTER
3-7	SCRW0011	SCREW, 1/4-20 X 5/8, PHPH, BR
3-8	WASH0501	WASHER, LOCK, 1/4, SB
3-9	SCRW0102	SCREW, M4 X 8MM, PHPH, BR
3-10		
3-11	CAPA0022	CAPACITOR, 2.2UF, 1000V, FILM
3-12	11171525	PCB, ASM, GATE DRIVE
3-13		
3-14	WASH0454	WASHER, FLAT, #8 , BR
3-15	11230515	PCB, ASM, SNUBBER
3-16	STAN0002	STANDOFF, 5/16 RNDX 3, 8/32-20. FF, AL
3-17	STAN0198	S-OFF, 5/16 RND X 1 1/4, 8-32, FF, AL
3-18	11230705	PCB ASM, DIVIDER CAPACITORS
3-19		
3-20	SCRW0051	SCREW, 10-32 X 1/2, PHPH, BR
3-21	11230409	BUS, DC, INVERTER
3-22	STAN0724	S-OFF, 3/8 RND X 1 , 8-32, FF, AL
3-23	STAN0197	S-OFF, 5/16 RND X 3/4, 10-32, FF, AL
3-24	11230408	BUS, AC, INVERTER
3-25	11170410	PLATE, X'FMR CONNECTION
3-26	SPAC0005	SPACER, 3/4"OD, 3/4", UNTHREADE
3-27	WASH0501	WASHER, LOCK, 1/4" , BR
3-28	NUTS0251	NUT, HEX, 1/4-20, BR
3-29	11230461	FITTING, TUBE CONNECTION
3-30	FITT0639	FITTING, ELB, 3/8"C-1/4"NPF,BR
*not shown	SWIT0150	SWITCH, TEMPERATURE, 60C
4-35	SCRW0140	SCREW, 1/8NPT X 3/8" NHSO, SS

Table 3: Inverter assembly

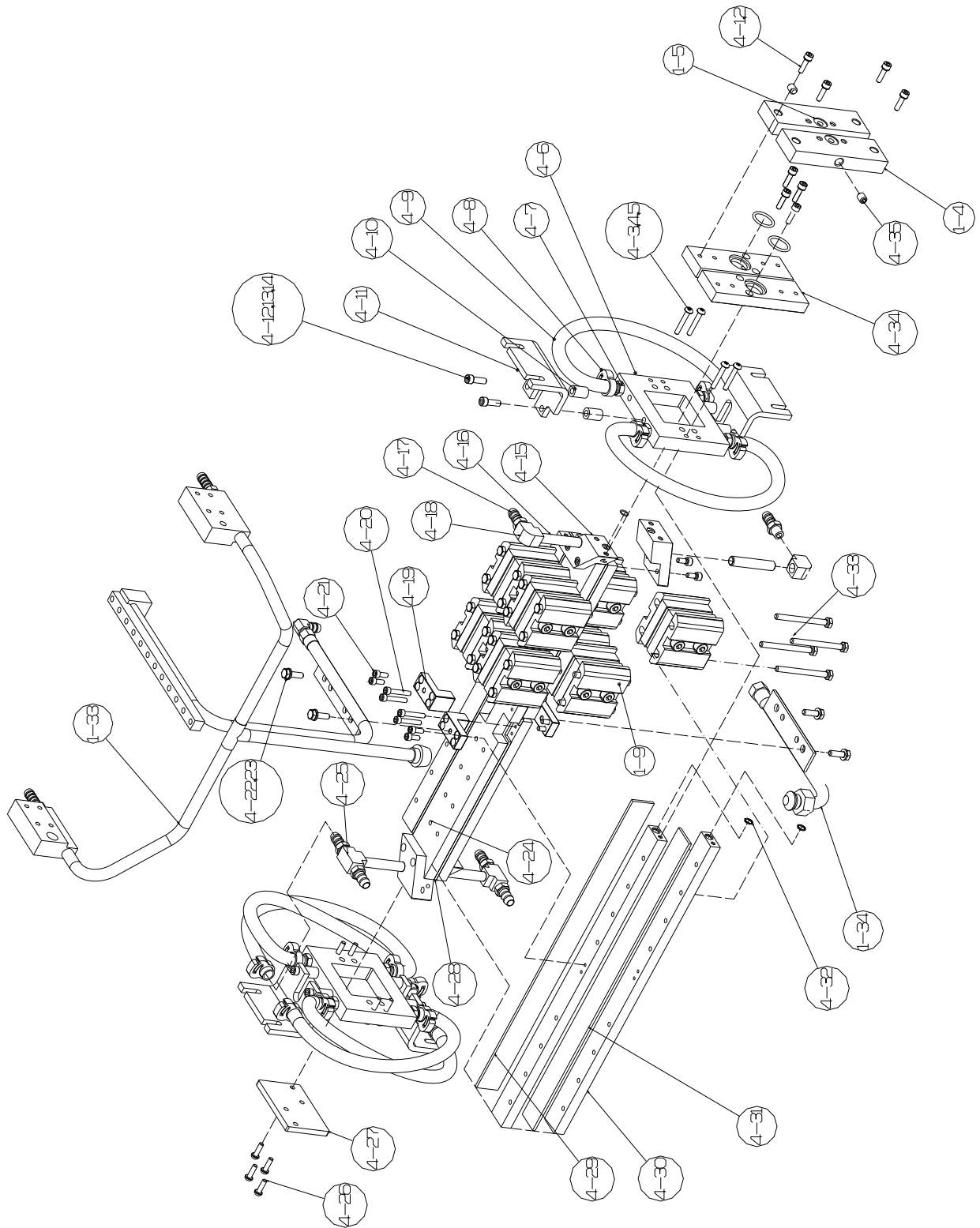


Figure 4-1: Cap. Rail assembly (Parallel configuration)

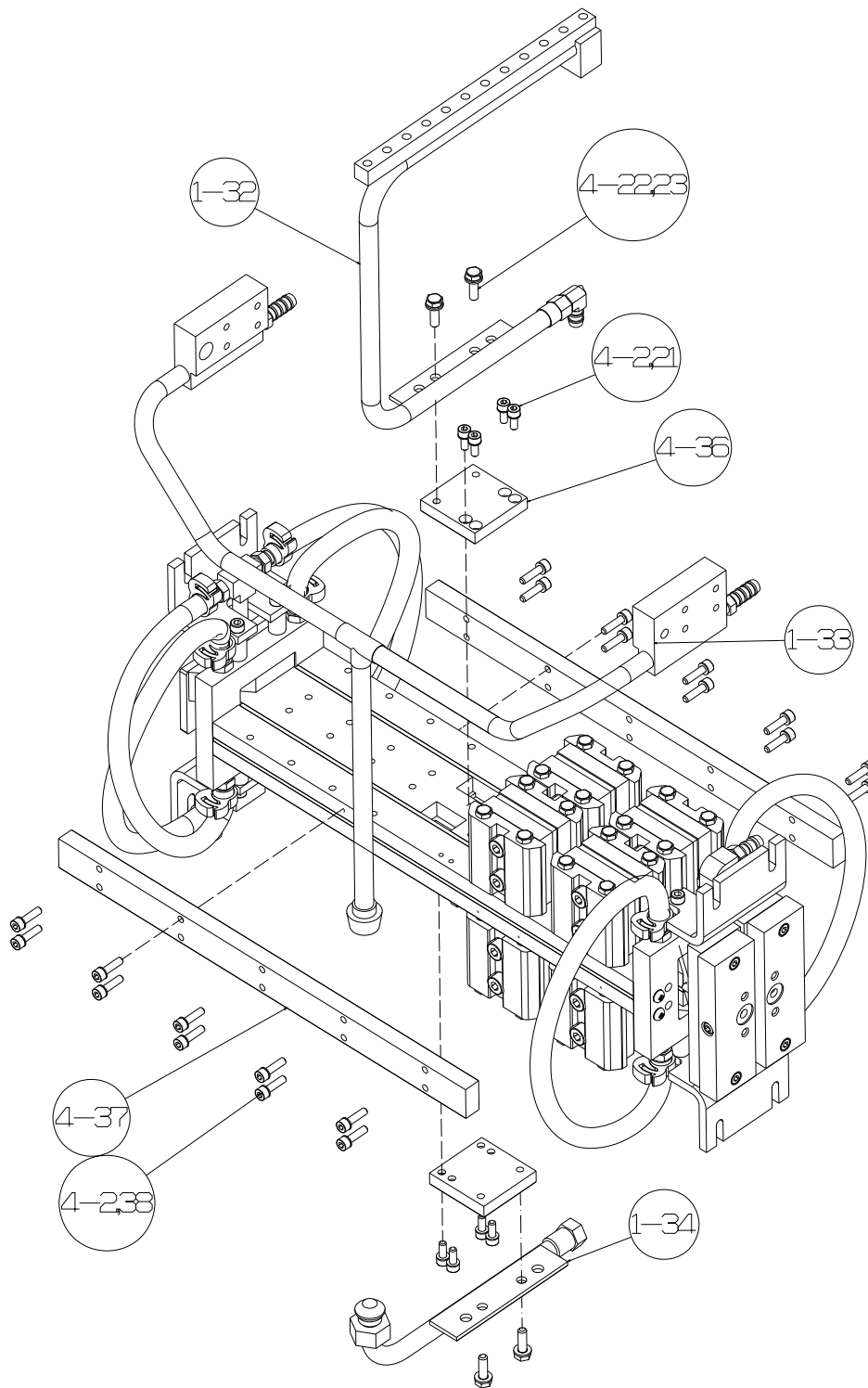


Figure 4-2: Cap. Rail assembly (Series / Parallel configuration)

ASM	PART#	DESCRIPTION
1-4	11170819	PLAT, OUTPUT, OFFSET
1-5	ORIN0004	O-RING, 1/16"thick X 5/8"O.D
1-9	CAPA5021E	CAPACITOR, 210nF, 700V, 300A
1-33	11230841	BUS, X'FMR
1-34	11170842	BUS, INDUCTOR
4-1	SCRW0016	SCREW, 10-32X3/4", SHSO, SS
4-2	WASH0456	WASHER, LOCK, #10, SB
4-3	SCRW0140	SCREW, 10-32X1-1/4, PHPH, BR
4-4	WASH0456	WASHER, LOCK, #10, BR
4-5	WASH0434	WASHER, FLAT, #10, BR
4-6	11170833	MANIFOLD, CONNEDTION, ULTEM
4-7	FITT0022	FITTING, 3/8" TUBEID, 1/8" NPT
4-8	CLAM0391	CALMP, HOSE 1/2" TO 5/8"
4-9	HOSE0327	HOSE, 3/8"ID
4-10	SPAC0001	SPACER, TEFLON, 1/20D, .257ID
4-11	11170837	SUPPORT, CAP, RAILASSY.
4-12	SCRW0029	SCREW, 1/4-20X1-1/2", SHSO, SS
4-13	WASH0426	WASHER, LOCK, 1/4, SS
4-14	WASH0492	WASHER, FLAT, 1/4", SS
4-15	11170835	MANIFOLD, OFFSET, END, BLOCK
4-16	FITT0005	FITTING, 1/8NPT NIPPLE
4-17	FITT0004	FITTING, 1/8NPTX3/8 BARB
4-18	FITT0006	FITTING, 1/8FPT ELBOW
4-19	11170836	CONNECTOR, CAP RAIL
4-20	SCRW1001	SCREW, 10-32X1-1/8", SHSOSS
4-21	SCRW1003	SCREW, 10-32X1/2", SHSO, SS
4-22	SCRW0040	SCREW, 1/4-20X1/2", HH, BR
4-23	WASH0501	WASHER, LOCK, 1/4", SB
4-24	11170831	BUS, CAP RAIL, CENTER
4-25	FITT0019	FITTING, 1/8FPT TEE
4-26	SCRW0013	SCREW, 10-32X5/8", PHPH, BR
4-27	11170840	PLATE, BLANKING
4-28	11170838	INSULATOR, STRIP, CENTER
4-29	11170839	INSULATOR, STRIP, SIDES 1
4-30	11170832	BUS, CAP RAIL, SIDE
4-31	11170839	INSULATOR, STRIP, SIDES 2
4-32	ORIN9452	O-RING, 1/16X1/4X3/8
4-33	SCRW0554	SCREW, 1/4-20X1/2", PHPH, BR
4-34	11170834	BUS, END, BLOCK
4-35	SCRW1838	SCREW, 1/8NPT X 3/8" NHSO, SS
4-36	11170303	SERIES CONNECTOR CAP. RAIL
4-37	11170302	JUMPER CAP. RAIL
4-38	SCRW1005	SCREW, 10-32X3/4", SHSO, SS
	ORIN0002	ORING, 1/8" X 1" O.D.

Table

4:Cap. Rail assembly

Recommended spare parts shaded in grey