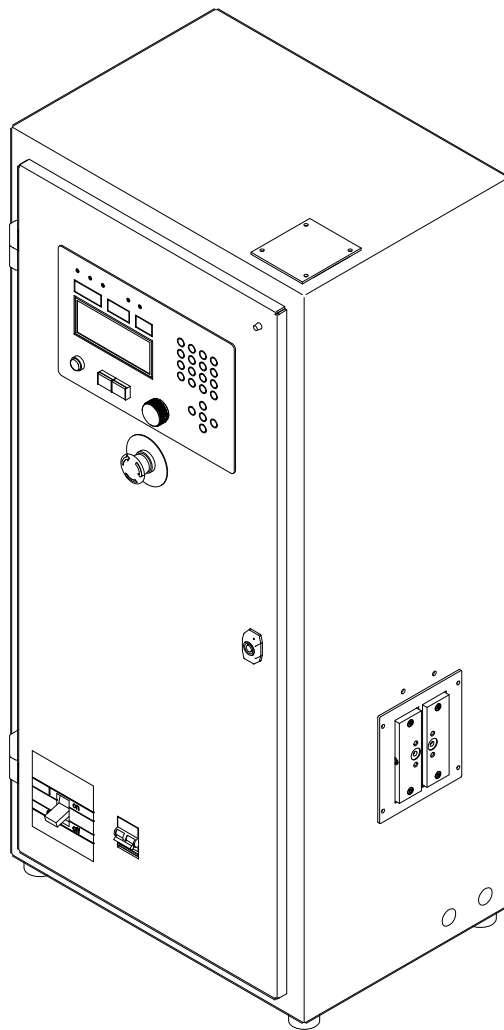
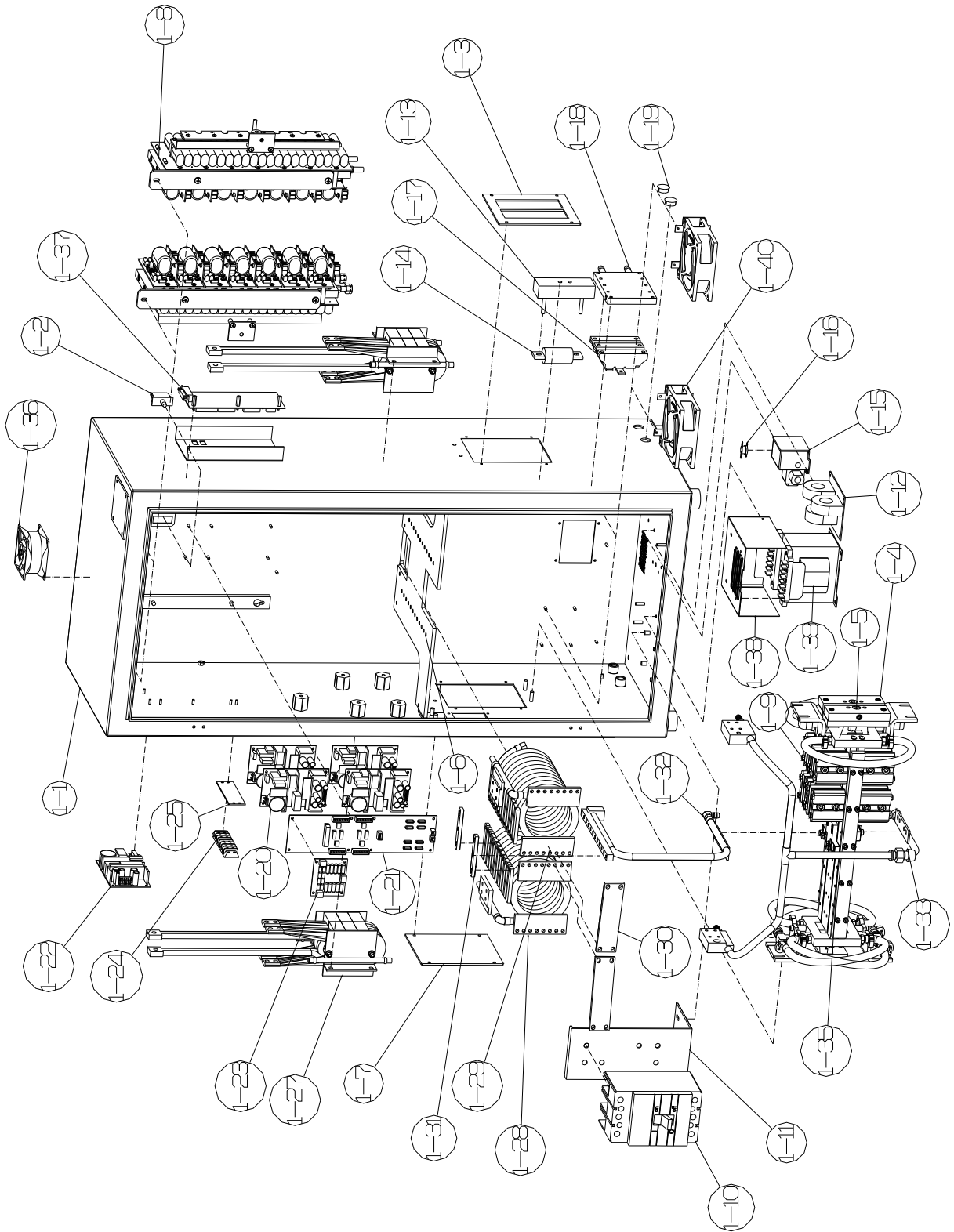


# PPST SS-400 Series Induction Power Supplies

# Spare Parts



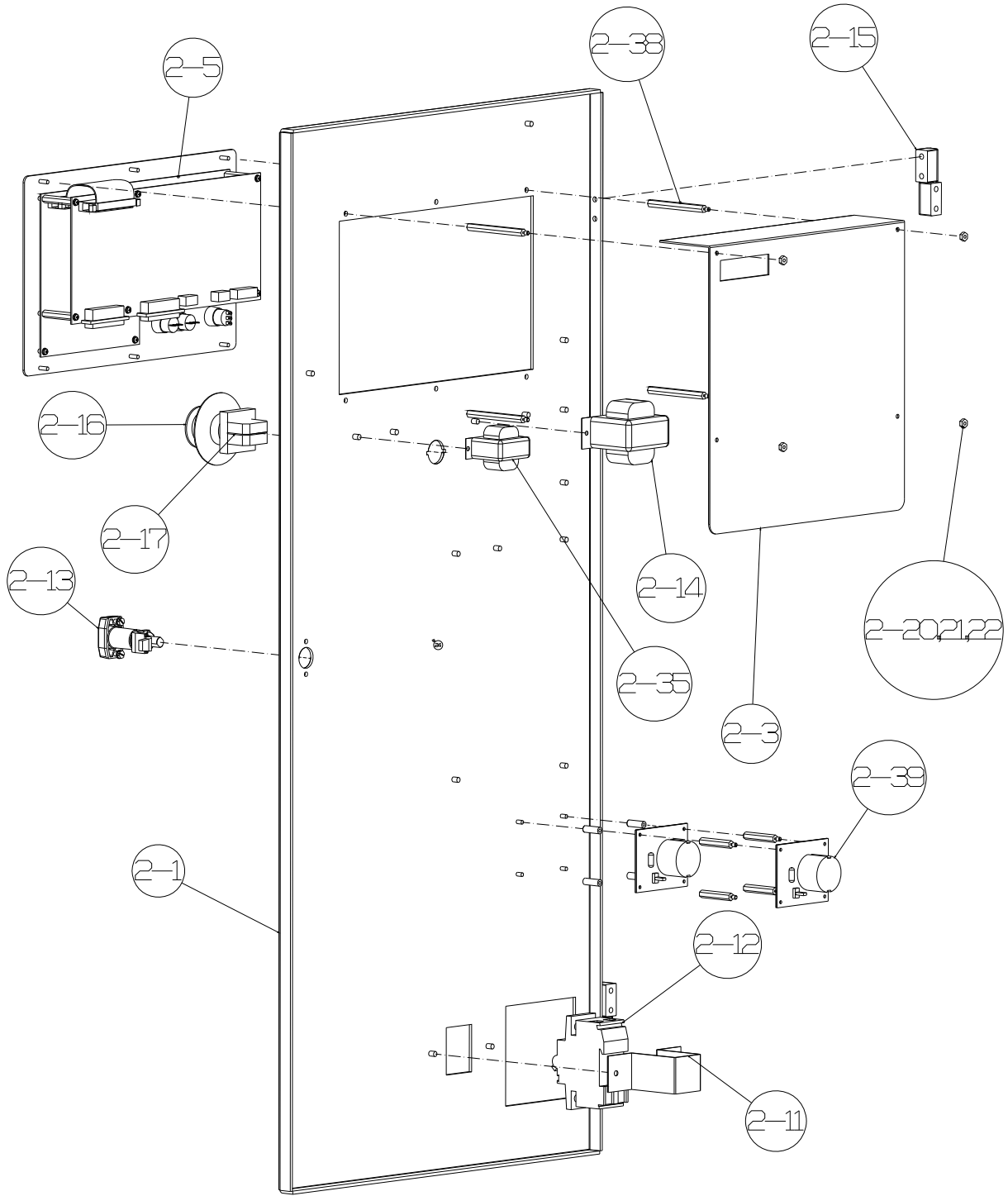
Model 12.5-135/400-4  
Revision 07.05.16



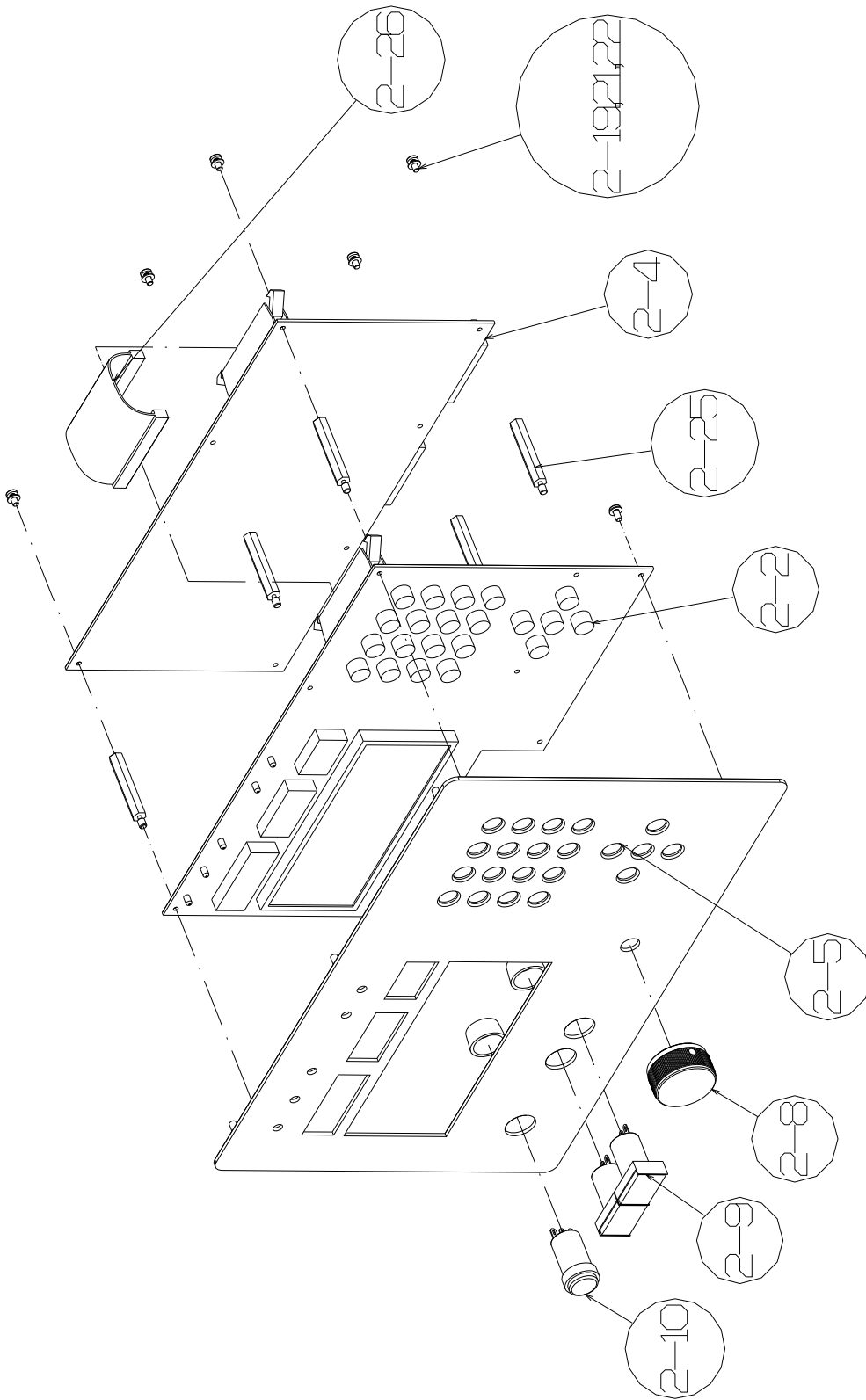
**Figure 1: Cabinet assembly**

Item No.	Sch. Des.	Qty.	Description	Part Number
1-1		1	CABINET	11230633
1-2		1	SWITCH, door interlock	SWIT0161
1-3		1	COVER, output	11170821
1-4		2	BAR, output	11170819
1-5		2	O-RING, 1/16" thick x 5/8" O.D.	ORIN0004
1-6		1	SUPPORT INDUCTOR	11230914
1-7		1	COVER, output, blank	11170816
1-8		1	INVERTER, 12.5kVA	11230400B
1-9		8	CAPACITOR, 210nF, 700V, film	CAPA5021E
1-10		1	CIRCUIT BREAKER, 600V, 50A	CIBR0495
1-11		1	BRACKET, circuit breaker	11170637
1-12		1	PCB ASSY., supply CT	11170585
1-13		1	FUSE HOLDER	FUSE0623
1-14		1	FUSE, 500V, 80A, semiconductor	FUSE0622
1-15		1	SWITCH, DP, 4-43PSI	SWIT0490
1-16		1	SWITCH, temp., 110°F	SWIT0617
*		1	SWITCH, temp output, 60°C/140°F	SWIT0150
1-17		3	DIODE, dual module, 1600V, 60A	DIOD0634
1-18		1	HEAT SINK, rectifier	11170440
1-19		2	CAP, hole, 3/4"	PLUG0001
1-20		4,1	POWER SUPPLY, switching, 12VDC, 60W	POWS0663
1-21		1	PCB ASSY., buffer	11230572
1-22		1	POWER SUPPLY, switching, tri. output, 40W	POWS0620
1-23		1	PCB ASSY., inverter CT OR'ing	11230552
1-24		1	TERMINAL BLOCK, 8 pos.	TERM0836
1-25		1	COVER, for terminal block	TERM0618
1-26				
1-27		1	TRANSFORMER, matching	11230200
1-28		1	INDUCTOR, left	11230904
1-29		1	INDUCTOR, right	11230901
1-30		2	BAR, shorting	11170905
1-31		1	BUS, TOP, CROSSBAR	11170903
1-32		1	BUS, COIL, CENTER CONNECT	11170902
1-33		1	BUS, Transformer	11230841
1-34		1	BUS, Inductor	11170842
1-35		1	CAP. RAIL ASSY	11230800
1-36		1	FAN, 3.14", 230V	FANZ0632
1-37		1	PCB ASSY., EXT-TERM	11230612
1-38		1	TRANS COVER	11230301
1-39		1	TRANSFORMER, DT-1079	TRAN1079
1-40		1	FANS, 230V, AC, 120mm	FANS0230

Table 1: Cabinet assembly Recommended Spare Parts: Shaded in Grey



**Figure 2-1: Door assembly**

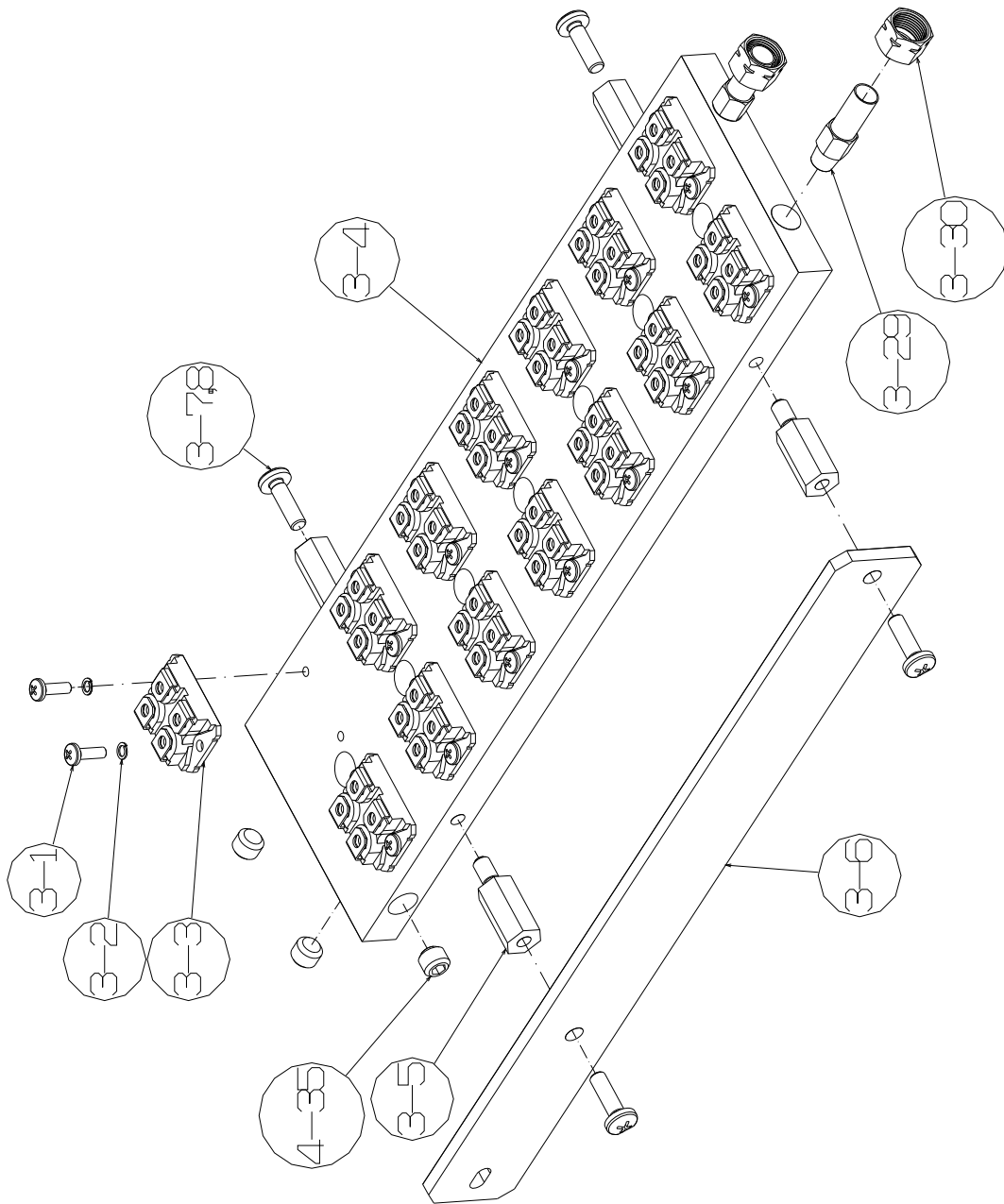


**Figure 3-2: Door assembly**

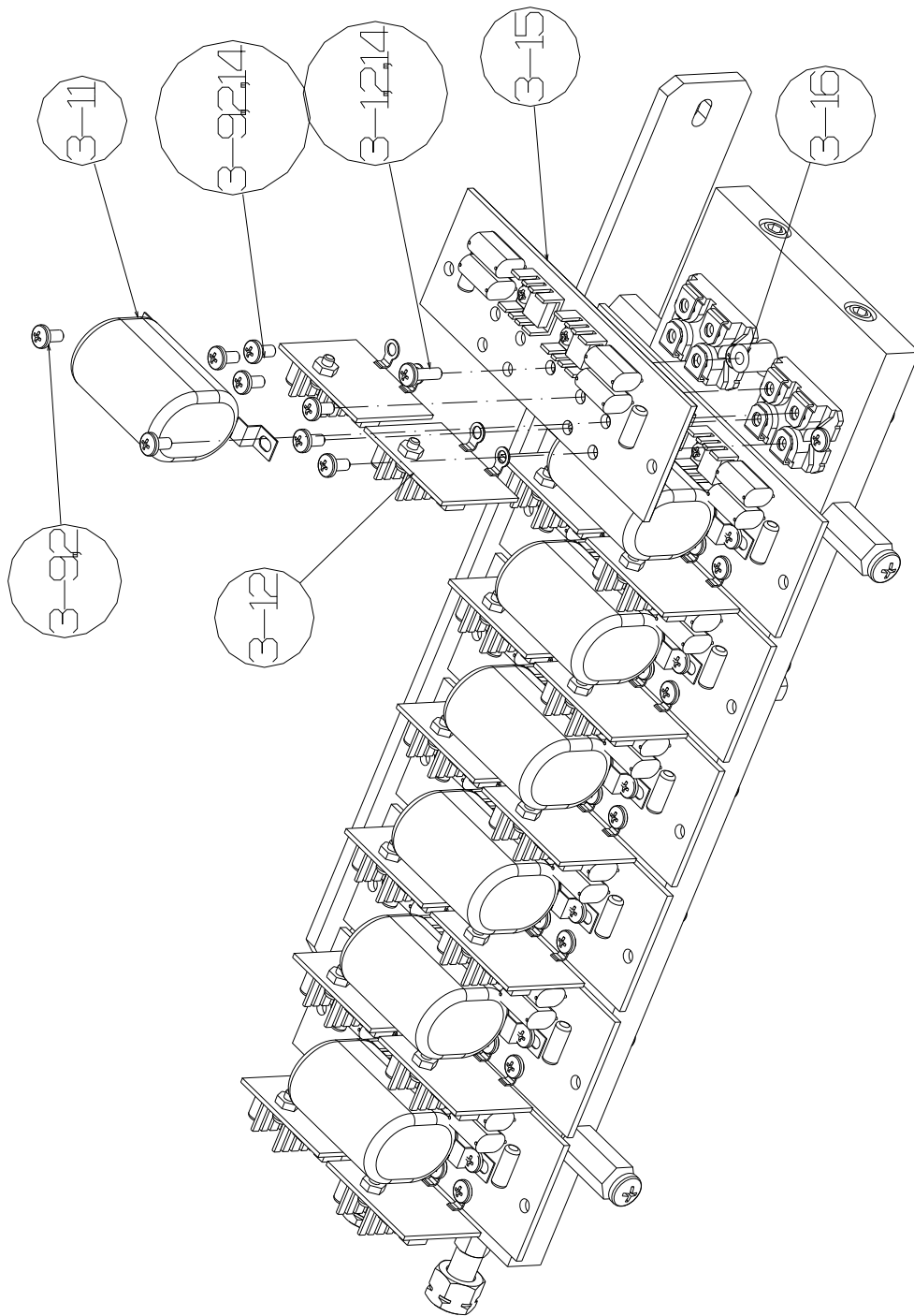
Item No.	Sch. Des.	Qty.	Description	Part Number
2-1		1	Door	11230634
2-2		1	PCB assy., display	11250545
2-3		1	COVER. Display ASSY.	11170307
2-4		1	PCB assy., control	11250505
2-5		1	Front panel	11250721
2-8		1	Knob, 1-1/4" dia. x 5/8"	KNOB0310
2-9		1	Button, heating switch	
2-10		1	Switch, reset	SWIT0884
2-11		1	Bracket, circuit breaker	11170922
2-12		1	Circuit breaker, 240V, 6A, 2 pole	CIBR0621
2-13		1	Handle, locking	HAND0002
2-14		1	Transformer, DT-1077	TRAN1077
2-15		2	Hinges	HING0978
2-16		1	Switch, e-stop	SWIT0784
2-17		2	Contacts, NC	SWIT0785
2-19		10	SCREW, 6-32 x 3/8, PHPH, BR	SCRW7476
2-20		4	NUT, HEX, 6-32, BR	NUTS0246
2-21		18	WASHER, LOCK, #6, BR	WASH0435
2-22		18	WASHER, FLAT, #6, BR	WASH0436
2-25		7	S-OFF, 1/4HEX 31.8mm, 6-32, FM, AL	
2-26		1	WIRE, PLATE 30P ASSY	
2-35		1	Transformer, DT-1076	TRAN1076
2-37		4	S-OFF, 1/4HEX 90mm, FM, AL	
2-38		6	S-OFF, 1/4HEX 31.8mm, 6-32, FM, AL	
2-39		2	PCB ASSY., PT	11170535

**Table 2: Door assembly**

Recommended Spare Parts: Shaded in Grey

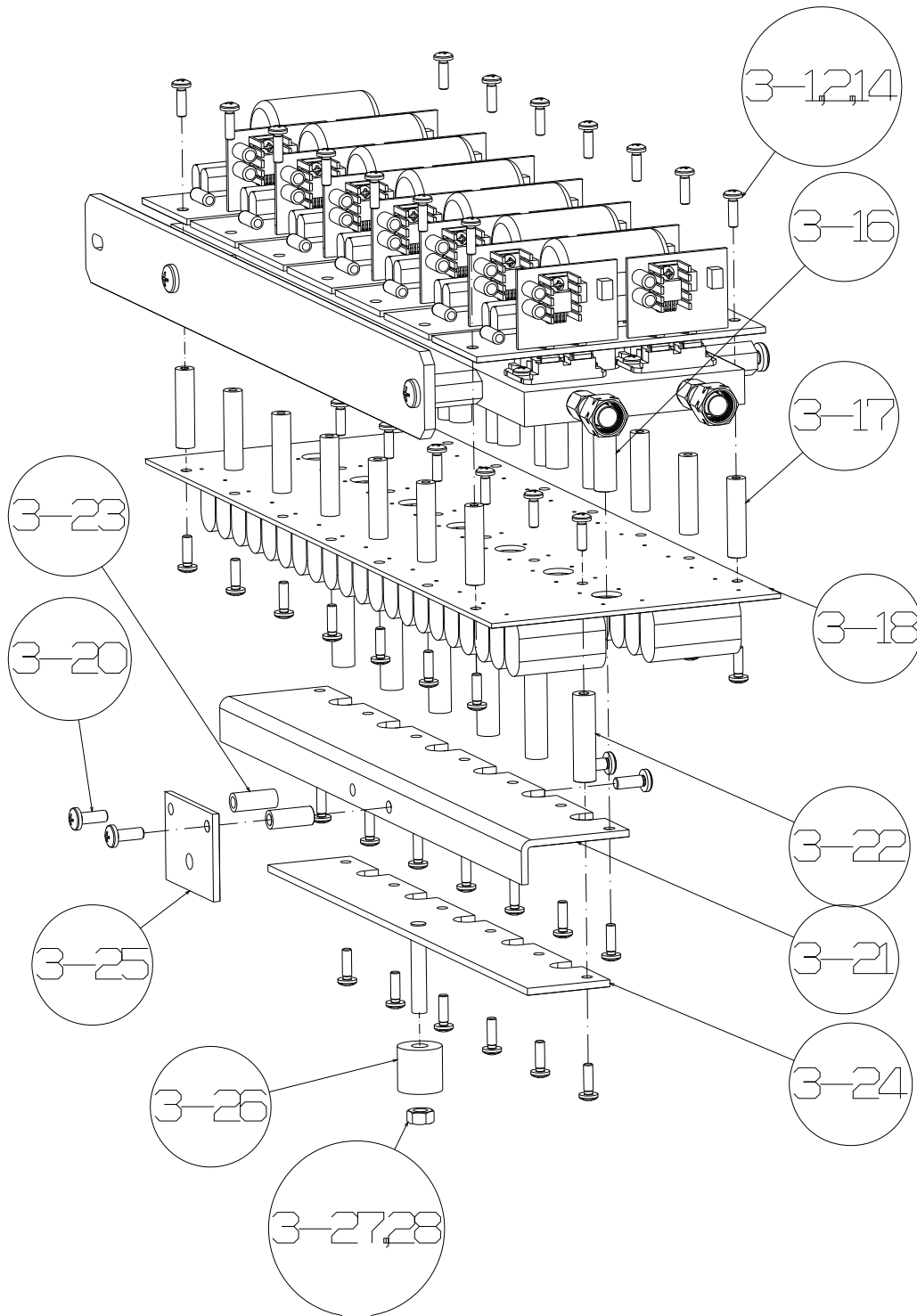


**Figure 3-1: Inverter assembly**



**Figure 3-2: Inverter assembly**





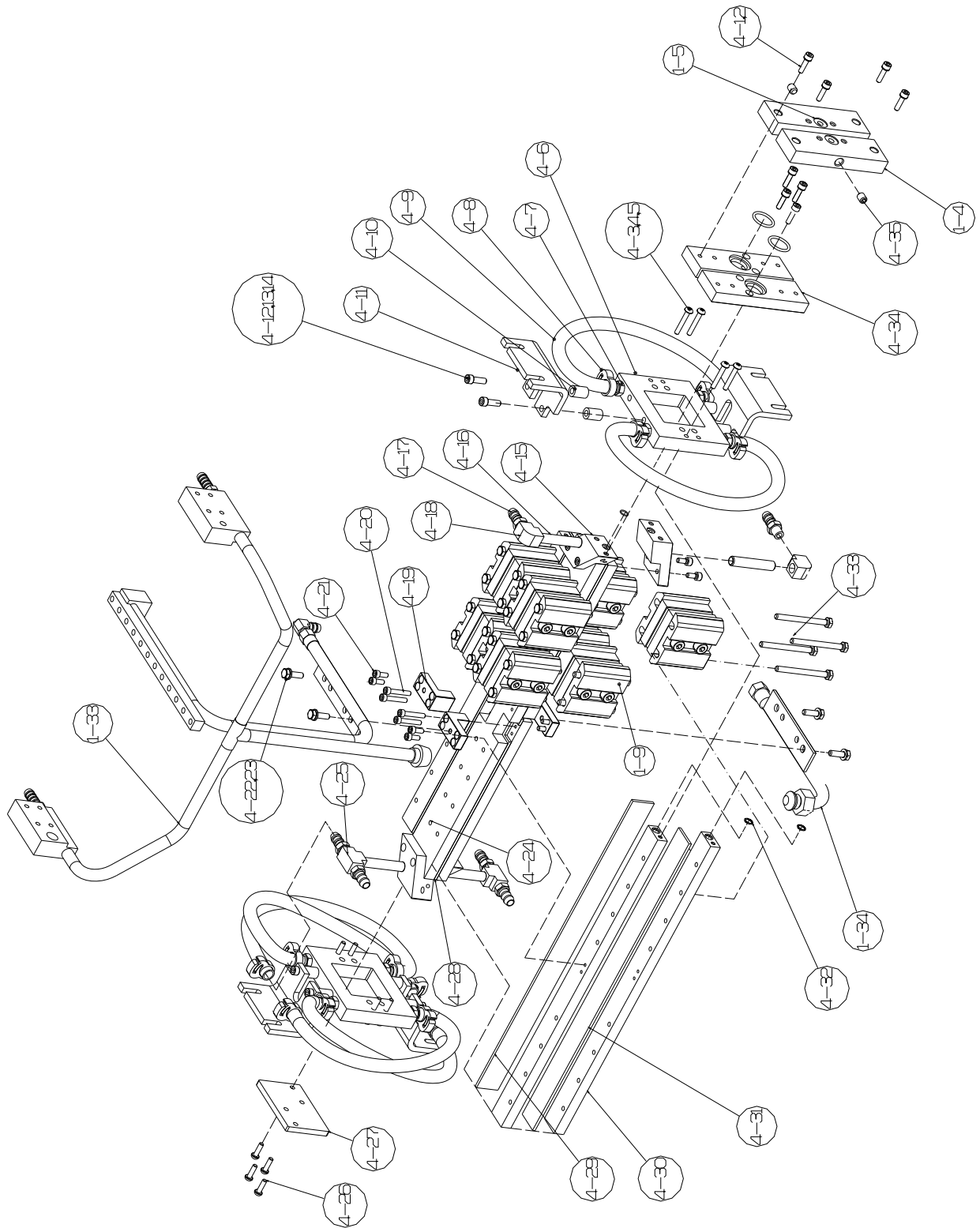
**Figure 3-3: Inverter assembly**

**INVERTER ASM 12.5KW**

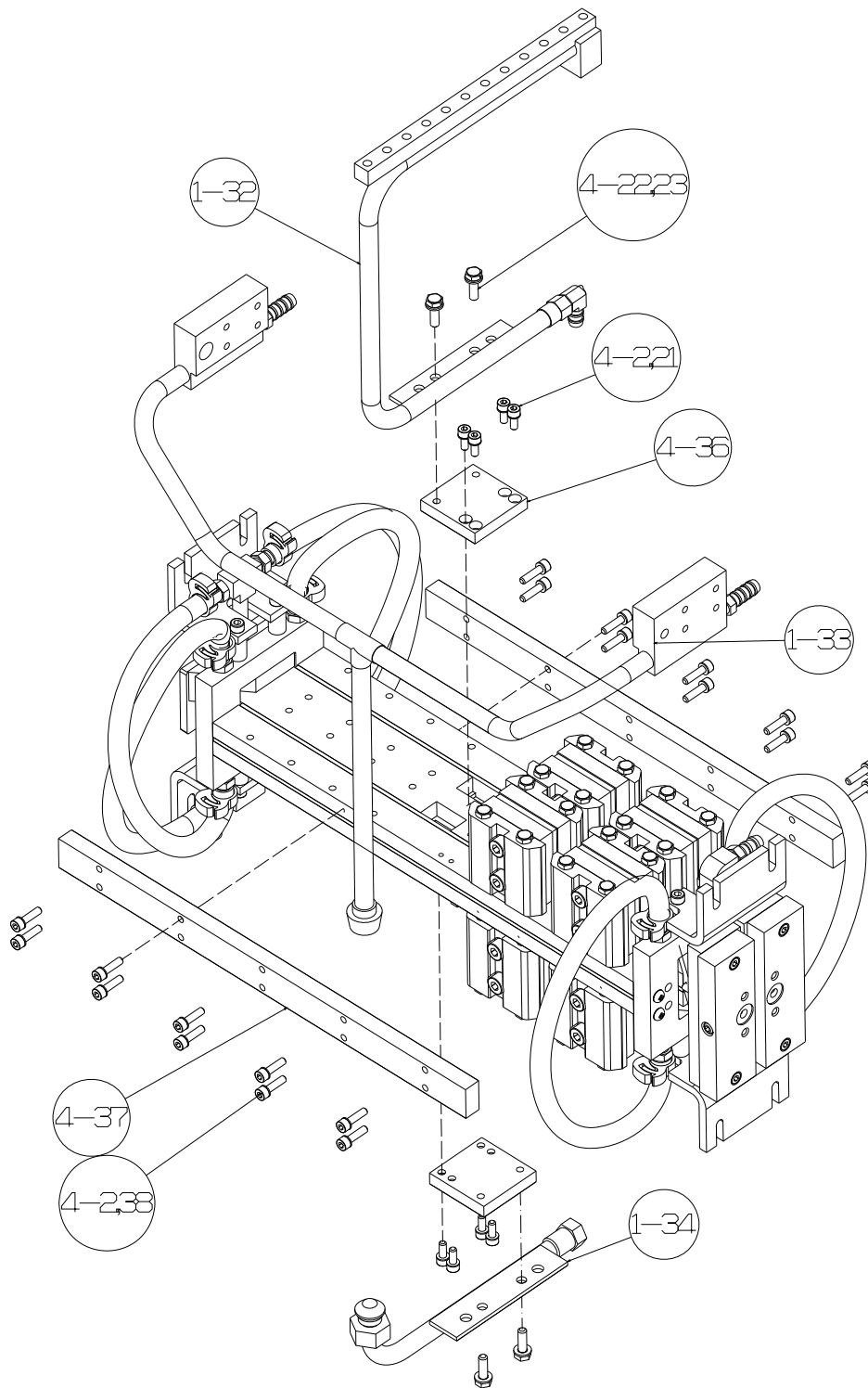
<b>ASM</b>	<b>QNTY</b>	<b>PART#</b>	<b>DESCRIPTION</b>
3-1	82	SCRW0089	SCREW, 8-32 X 1/2, PHPH, BR
3-2	138	WASH0429	WASHER, LOCK, #8, BR
3-3	10	MOSF0232	MOSFET, 1200V, 32A
3-4	1	11230425	HEATSINK, INVERTER
3-5	4	STAN0188	STANDOFF, 1/2 H, 1, 1/4-20. MF, AL
3-6	1	11230420	HANDLE, INVERTER
3-7	4	SCRW0011	SCREW, 1/4-20 X 5/8, PHPH, BR
3-8	2	WASH0501	WASHER, LOCK, 1/4, SB
3-9	56	SCRW0102	SCREW, M4 X 8MM, PHPH, BR
3-10			
3-11	5	CAPA0305	CAPACITOR, 2.2UF, 1000V, FILM
3-12	10	11171525	PCB, ASM, GATE DRIVE
3-13			
3-14	110	WASH0454	WASHER, FLAT, #8 , BR
3-15	5	11230515-40	PCB, ASM, SNUBBER
3-16	5	STAN0002	STANDOFF, 5/16 RNDX 3, 8/32-20. FF, AL
3-17	10	STAN0198	S-OFF, 5/16 RND X 1 1/4, 8-32, FF, AL
3-18	1	11230705	PCB ASM, DIVIDER CAPACITORS
3-19			
3-20	4	SCRW0051	SCREW, 10-32 X 1/2, PHPH, BR
3-21	1	11230409	BUS, DC, INVERTER
3-22	6	STAN0724	S-OFF, 3/8 RND X 1 , 8-32, FF, AL
3-23	2	STAN0197	S-OFF, 5/16 RND X 3/4, 10-32, FF, AL
3-24	1	11230408	BUS, AC, INVERTER
3-25	1	11170410	PLATE, X'FMR CONNECTION
3-26	1	SPAC0005	SPACER, 3/4"OD, 3/4", UNTHREADE
3-27	1	WASH0501	WASHER, LOCK, 1/4" , BR
3-28	1	NUTS0251	NUT, HEX, 1/4-20, BR
3-29	2	11230461	FITTING, TUBE CONNECTION
3-30	2	FITT0639	FITTING, ELB, 3/8"C-1/4"NPF,BR
*not shown	1	SWIT0150	SWITCH, TEMPERATURE, 60C
4-35	3		SCREW, 1/8NPT X 3/8" NHSO, SS

**Table 3: Inverter assembly**

Recommended Spare Parts: Shaded in Grey



**Figure 4-1: Cap. Rail assembly (Parallel configuration)**



**Figure 4-2: Cap. Rail assembly (Series / Parallel configuration)**

ASM	QNTY	PART#	DESCRIPTION
1-4	2	11170819	PLAT, OUTPUT, OFFSET
1-5	2	ORIN0004	O-RING, 1/16"thick X 5/8"O.D
1-9	16	CAPA0610	CAPACITOR, 210nF, 800V, 300A
1-33	1	11230841	BUS, X'FMR
1-34	1	11170842	BUS, INDUCTOR
4-1	16	SCRW0016	SCREW, 10-32X3/4", SHSO, SS
4-2	32	WASH0456	WASHER, LOCK, #10, SB
4-3	8	SCRW0140	SCREW, 10-32X1-1/4, PHPH, BR
4-4	12	WASH0456	WASHER, LOCK, #10, BR
4-5	12	WASH0434	WASHER, FLAT, #10, BR
4-6	2	11170833	MANIFOLD, CONNEDTION, ULTEM
4-7	8	FITT0022	FITTING, 3/8" TUBEID, 1/8" NPT NYLO
4-8	16	CLAM0391	CALMP, HOSE 1/2" TO 5/8" DIAMETER
4-9	15	HOSE0327	HOSE, 3/8"ID
4-10	8	SPAC0001	SPACER, TEFLON, 1/20D, .257ID
4-11	4	11170837	SUPPORT, CAP, RAILASSY.
4-12	8	SCRW0029	SCREW, 1/4-20X1-1/2", SHSO, SS
4-13	8	WASH0426	WASHER, LOCK, 1/4, SS
4-14	8	WASH0492	WASHER, FLAT, 1/4", SS
4-15	4	11170835	MANIFOLD, OFFSET, END, BLOCK
4-16	4	FITT0005	FITTING, 1/8NPT NIPPLE
4-17	6	FITT0004	FITTING, 1/8NPTX3/8 BARB
4-18	2	FITT0006	FITTING, 1/8FPT ELBOW
4-19	4	11170836	CONNECTOR, CAP RAIL
4-20	8	SCRW1001	SCREW, 10-32X1-1/8", SHSOSS
4-21	8	SCRW1003	SCREW, 10-32X1/2", SHSO, SS
4-22	4	SCRW0040	SCREW, 1/4-20X1/2", HH, BR
4-23	68	WASH0501	WASHER, LOCK, 1/4", SB
4-24	2	11170831	BUS, CAP RAIL, CENTER
4-25	2	FITT0019	FITTING, 1/8FPT TEE
4-26	4	SCRW0013	SCREW, 10-32X5/8", PHPH, BR
4-27	1	11170840	PLATE, BLANKING
4-28	1	11170838	INSULATOR, STRIP, CENTER
4-29	2	11170839	INSULATOR, STRIP, SIDES_1
4-30	4	11170832	BUS, CAP RAIL, SIDE
4-31	2	11170839	INSULATOR, STRIP, SIDES_2
4-32	16	ORIN9452	O-RING, 1/16X1/4X3/8
4-33	64	SCRW0554	SCREW, 1/4-20X1/2", PHPH, BR
4-34	2	11170834	BUS, END, BLOCK
4-35	2	SCRW 1838	SCREW, 1/8NPT X 3/8" NHSO, SS
4-36	2	11170303	SERIES CONNECTOR CAP. RAIL
4-37	2	11170302	JUMPER CAP. RAIL
4-38	20	SCRW1005	SCREW, 10-32X3/4", SHSO, SS
	2	ORIN0002	O-RING, 1/8" X 1" X 3/4"

**Table 4:Cap. Rail assembly**

Recommended Spare Parts: Shaded in Grey