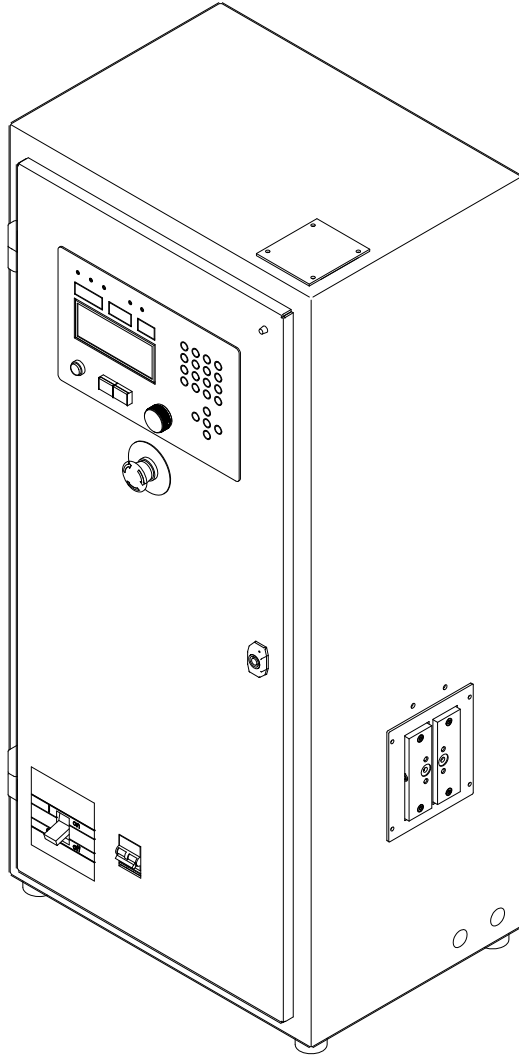


PPST SS-400 Series Induction Power Supplies Spare Parts



Model 25-240-135/400-4

Revision 10.07.20

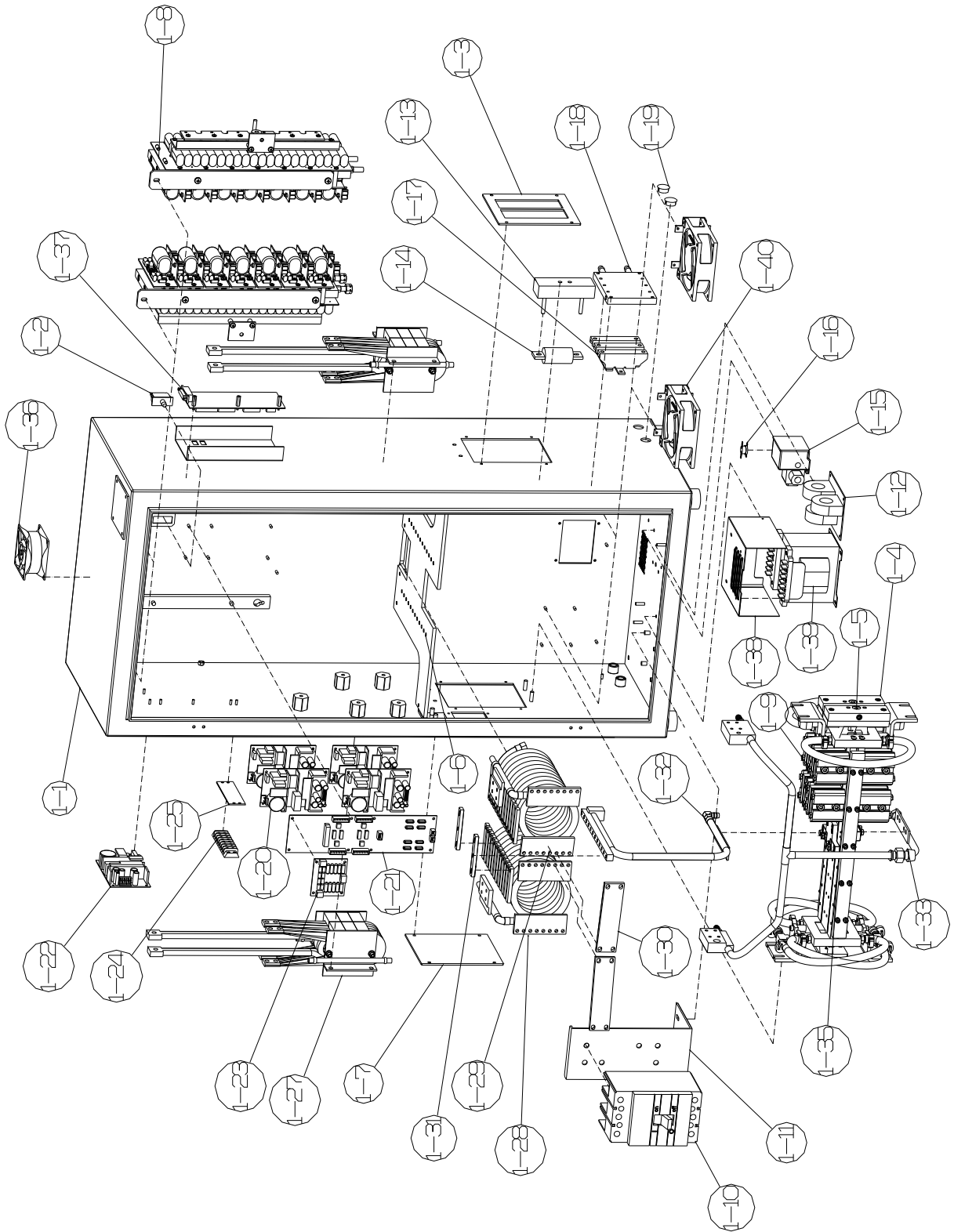


Figure 1: Cabinet assembly

Item No.	Qty.	Description	Part Number
1-1	1	CABINET	11230633E
1-2	1	SWITCH, door interlock	SWIT0161
1-3	1	COVER, output	11170821
1-4	2	BAR, output	11170819
1-5	2	O-RING, 1/16" thick x 9/16" O.D.	ORIN0001
1-6	1	SUPPORT INDUCTOR	11230914C
1-7	1	COVER, output, blank	11170816
1-8	2	INVERTER, 12.5kVA, 240VAC	11170400T
1-9	12	CAPACITOR, 210nF, 500V	CAPA0610
1-10	1	CIRCUIT BREAKER, 600V, 100A	CIBR0619
1-11	1	BRACKET, circuit breaker	11170637
1-12	1	PCB ASSY., supply CT	11170585B
1-13	1	FUSE HOLDER	FUSE0623
1-14	1	FUSE, 500V, 80A, semiconductor	FUSE0344
1-15	1	SWITCH, DP, 4-43PSI	SWIT0490
1-16	1	SWITCH, temp., 110°F Input	SWIT0617
*	2	SWITCH, temp., 140°F Output	SWIT0150
1-17	3	DIODE, dual module, 1600V, 60A	DIOD0634
1-18	1	HEAT SINK, rectifier	11170440T
1-19	2	CAP, hole, 3/4"	PLUG0001
1-20	4	POWER SUPPLY, switching, 12VDC, 60W	POWS0663
1-21	1	PCB ASSY., buffer	11230575C-240
1-22	1	POWER SUPPLY, switching, tri. output, 40W	POWS0620
1-23	1	PCB ASSY., inverter CT OR'ing	11230555B-240
1-24	1	TERMINAL BLOCK, 8 pos.	TERM0836
1-25	1	COVER, for terminal block	11170809
1-27	2	TRANSFORMER, matching (2:1)	11170200B
1-28	1	INDUCTOR, left	11230904F
1-29	1	INDUCTOR, right	11230901F
1-30	2	BAR, shorting	11170905
1-31	1	BUS, TOP, CROSSBAR	11170903
1-32	1	BUS, COIL, CENTER CONNECT	11230902
1-33	1	BUS, Transformer	11230841C
1-35	1	CAP. RAIL ASSY	11230800
1-36	1	FAN, 3.14", 230V	FANZ0632
1-37	1	PCB ASSY., EXT-TERM	11230755A
1-38	1	TRANS COVER	11230301
1-39	0	TRANSFORMER, DT-1079B	TRAN1079
1-40	2	FANS, 230V, AC, 120mm	FANS0230

* not shown

Table 1: Cabinet assembly

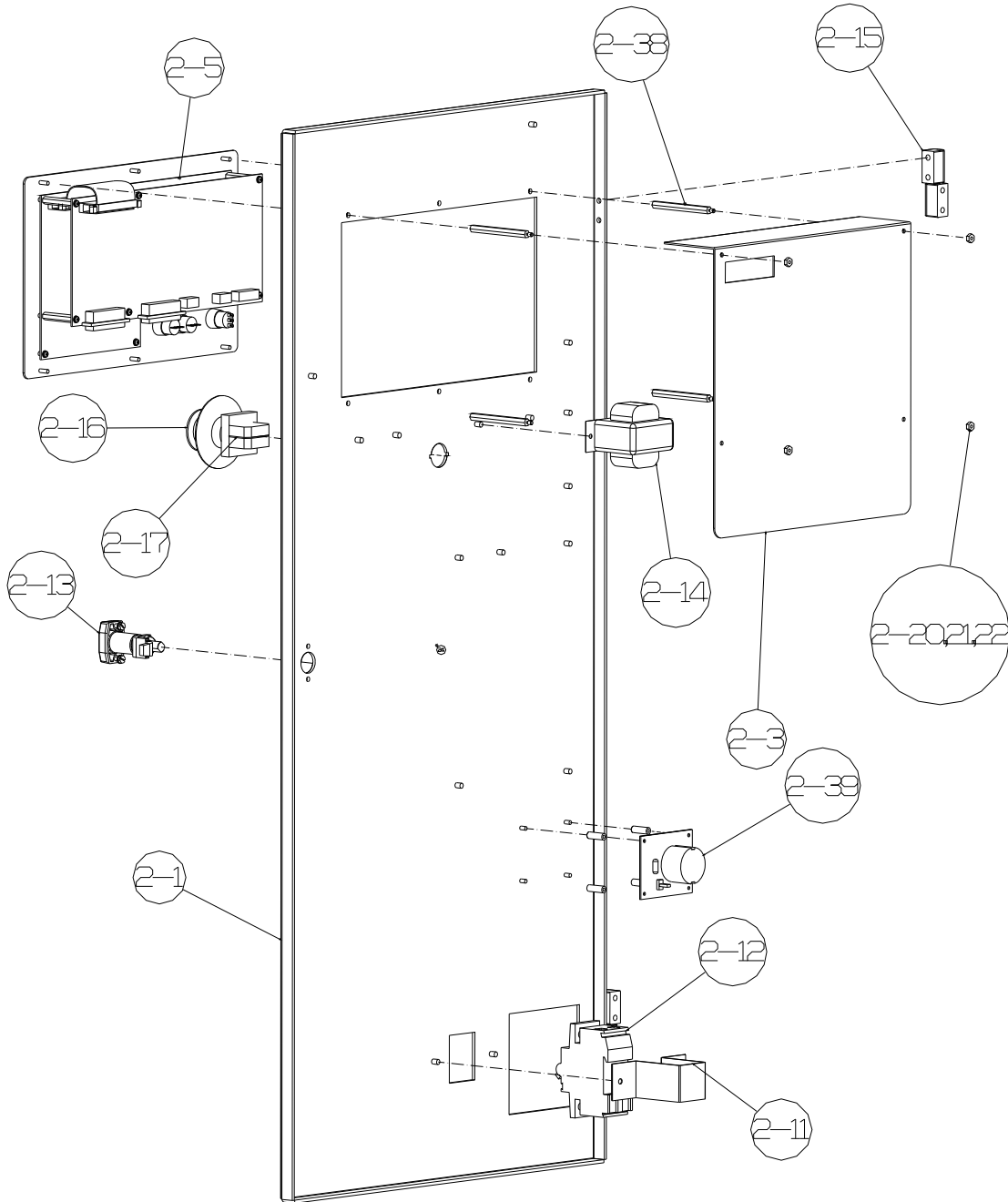


Figure 2-1: Door assembly

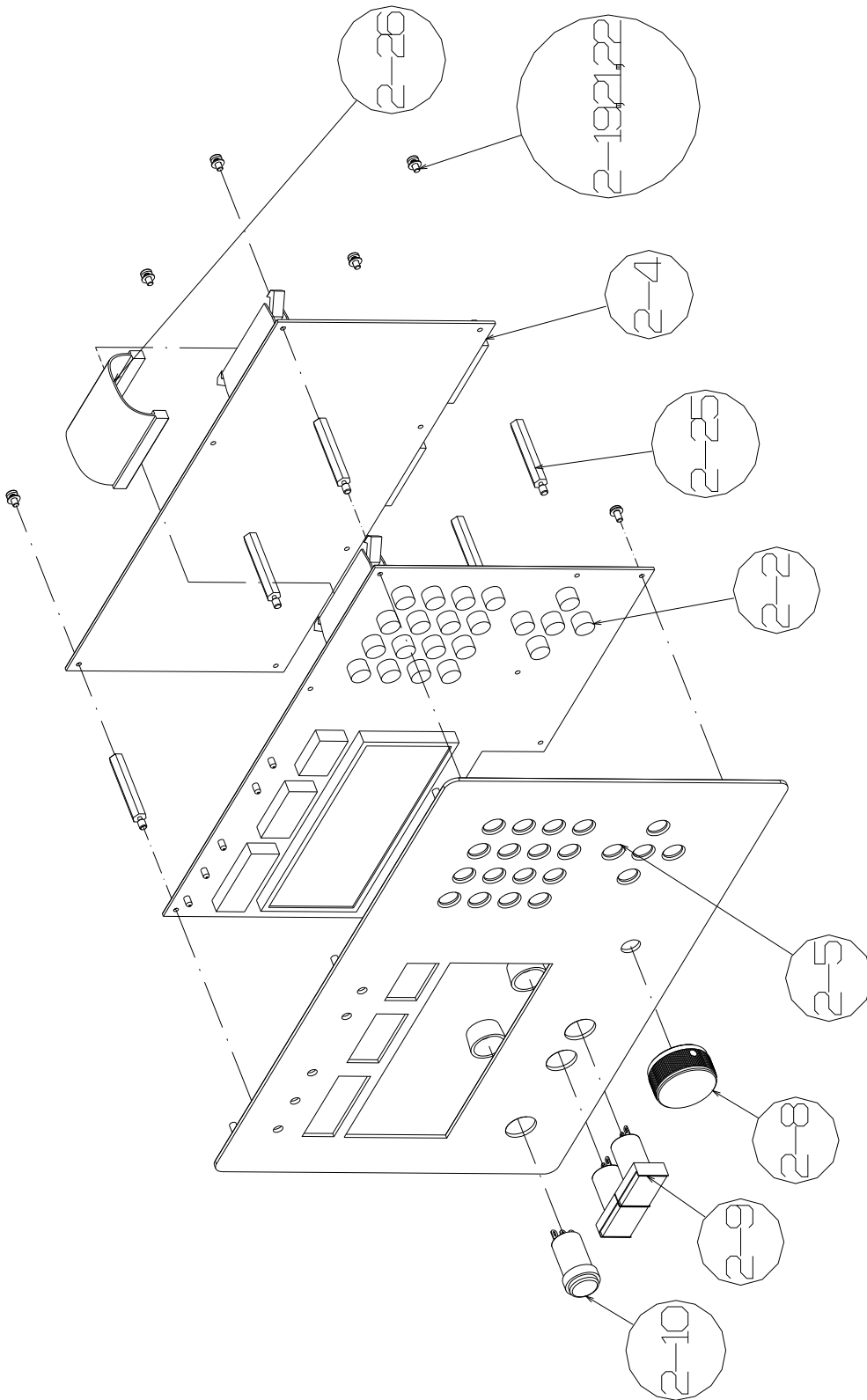


Figure 2-2: Door assembly

Item No.	Qty.	Description	Part Number
2-1	1	Door	11230634D
2-2	1	PCB assy., display	11250545E
2-3	1	COVER. Display ASSY.	11170307
2-4	1	PCB assy., control	11250505E
2-5	1	Front panel	11250720C
2-8	1	Knob, 1-1/4" dia. x 5/8"	KNOB0310
2-9	1	Button, heating switch	SWIT0277
2-10	1	Switch, reset	SWIT0884
2-11	1	Bracket, circuit breaker	11170922A
2-12	1	Circuit breaker, 240V, 6A, 2 pole	CIBR0621
2-13	1	Handle, locking	HAND0002
2-14	1	Transformer, DT-1077A	TRAN1077
2-15	2	Hinges	HING0978
2-16	1	Switch, e-stop	SWIT0784
2-17	2	Contacts, NC	SWIT0785
2-19	13	SCREW, 6-32 x 3/8, PHPH, BR	SCRW7476
2-20	4	NUT, HEX, 6-32, BR	NUTS0246
2-21	11	WASHER, LOCK, #6, BR	WASH0435
2-22	16	WASHER, FLAT, #6, BR	WASH0436
2-25	7	S-OFF, 1/4HEX 40mm, 6-32, FM, AL	STAN0723
2-26	1	WIRE, PLATE 30P ASSY	CABL0300
2-38	4	S-OFF, 1/4HEX 90mm, FM, AL	SRAN0195
2-39	1	PCB ASSY., PT, DT1066S	11170535B

Table 2: Door assembly

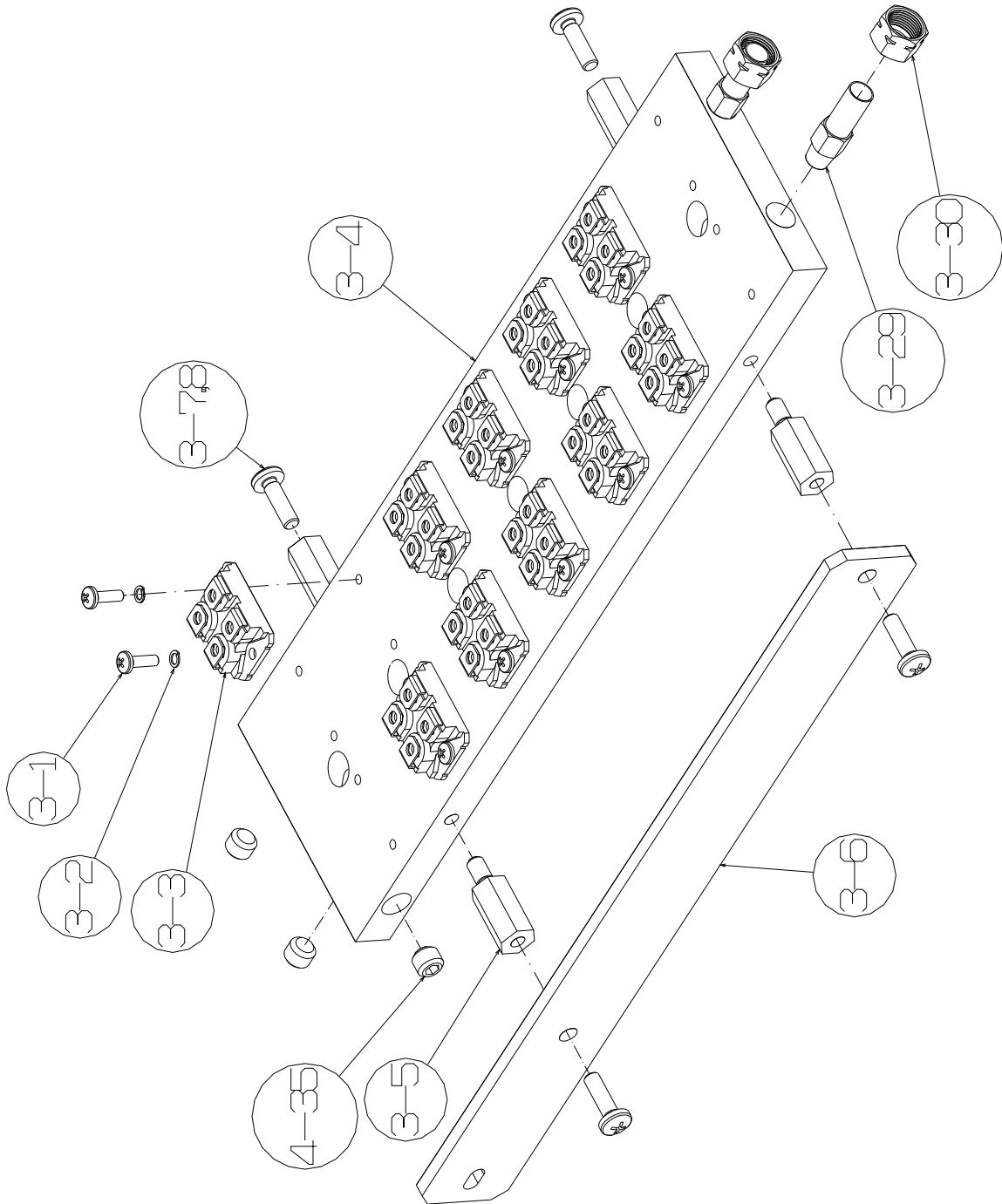


Figure 3-1: Inverter assembly

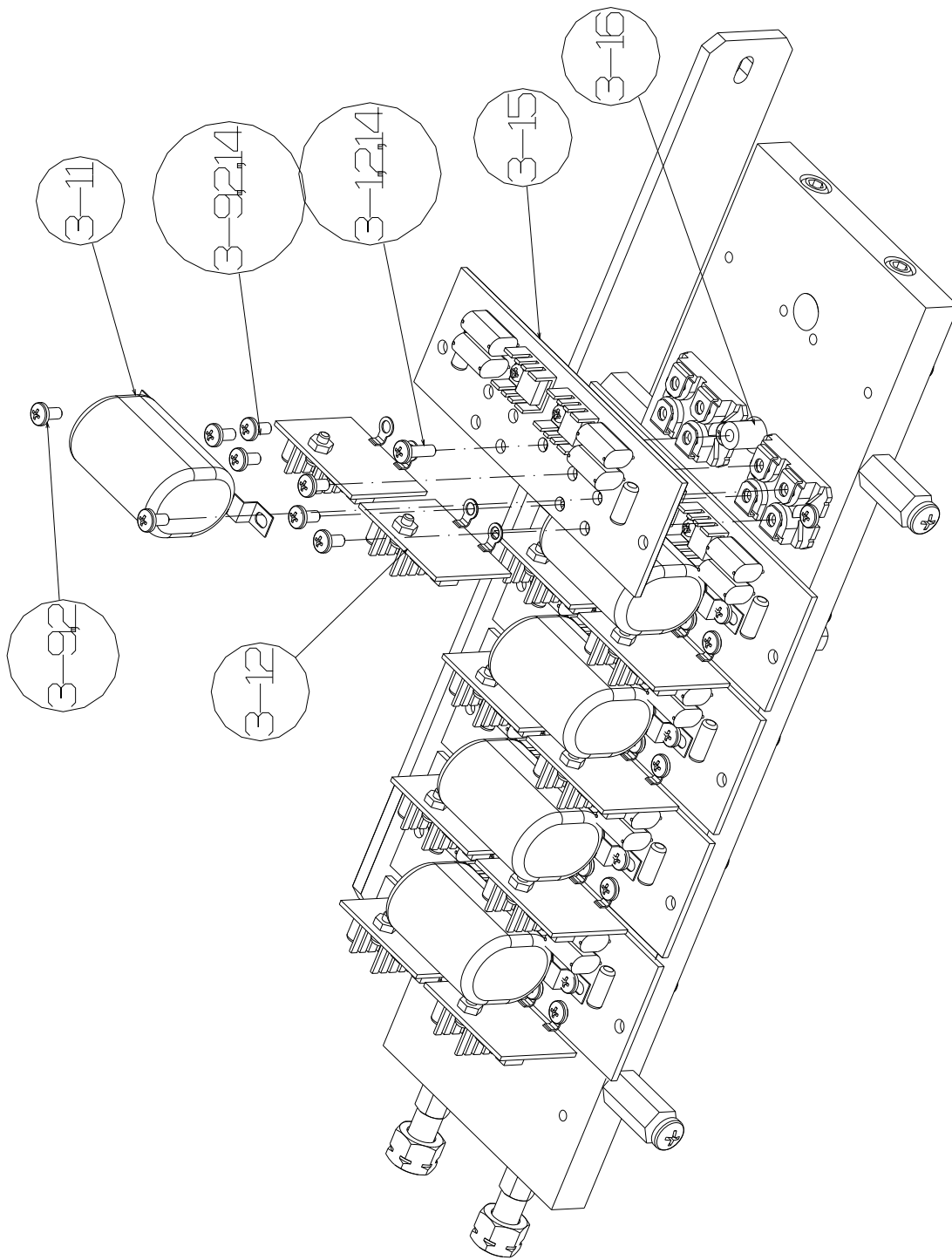


Figure 3-2: Inverter assembly

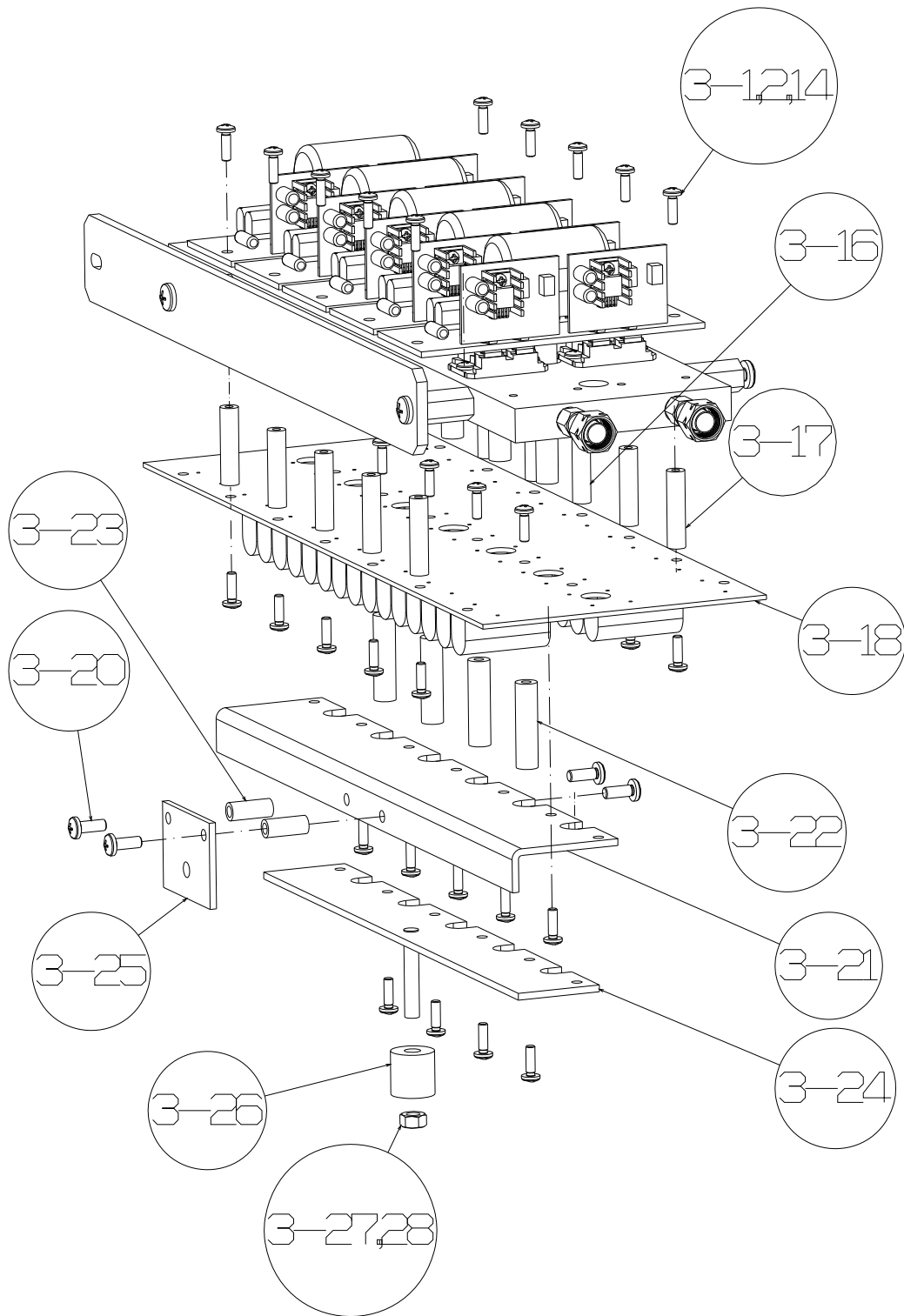


Figure 3-3: Inverter assembly

INVERTER ASM 40KW

ASM	PART#	DESCRIPTION
3-1	SCRW0089	SCREW, 8-32 X 1/2, PHPH, BR
3-2	WASH0429	WASHER, LOCK, #8, BR
3-3	MOSF0270	MOSFET, 600V, 70A
3-4	11230425	HEATSINK, INVERTER
3-5	STAN0188	STANDOFF, 1/2 H, 1, 1/4-20. MF, AL
3-6	11230420	HANDLE, INVERTER
3-7	SCRW0011	SCREW, 1/4-20 X 5/8, PHPH, BR
3-8	WASH0501	WASHER, LOCK, 1/4, SB
3-9	SCRW0102	SCREW, M4 X 8MM, PHPH, BR
3-11	CAPA0024	CAPACITOR, 10UF, 400V, FILM
3-12	11171525C	PCB, ASM, GATE DRIVE
3-14	WASH0454	WASHER, FLAT, #8 , BR
3-15	11170515	PCB, ASM, SNUBBER
3-16	STAN0002	STANDOFF, 5/16 RNDX 3, 8/32-20. FF, AL
3-17	STAN0198	S-OFF, 5/16 RND X 1 1/4, 8-32, FF, AL
3-18	1123705B-25	PCB ASM, DIVIDER CAPACITORS
3-20	SCRW0051	SCREW, 10-32 X 1/2, PHPH, BR
3-21	11230409A	BUS, DC, INVERTER
3-22	STAN0724	S-OFF, 3/8 RND X 1 , 8-32, FF, AL
3-23	STAN0197	S-OFF, 5/16 RND X 3/4, 10-32, FF, AL
3-24	11230408C	BUS, AC, INVERTER
3-25	11230410A	PLATE, X'FMR CONNECTION
3-26	SPAC0005	SPACER, 3/4"OD, 3/4", UNTHREADE
3-27	WASH0501	WASHER, LOCK, 1/4" , BR
3-28	NUTS0251	NUT, HEX, 1/4-20, BR
3-29	11230461	FITTING, TUBE CONNECTION
3-30	FITT0639	FITTING, ELB, 3/8"C-1/4"NPF,BR
4-35	SCRW0140	SCREW, 1/8NPT X 3/8" NH50, SS
*	SWIT0150	SWITCH, temp., 140°F

* not shown

Table 3: Inverter assembly

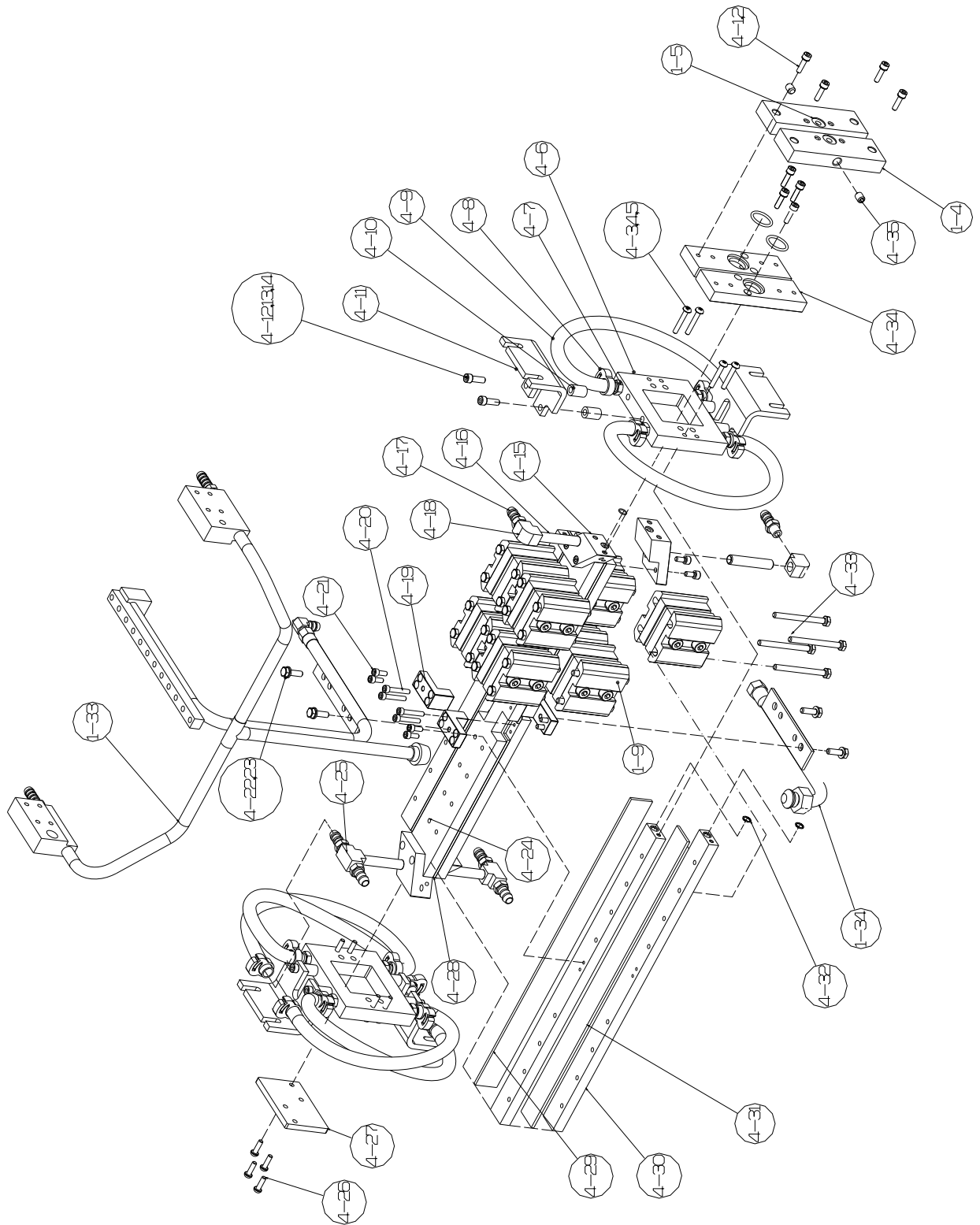


Figure 4-1: Cap. Rail assembly (Parallel configuration)

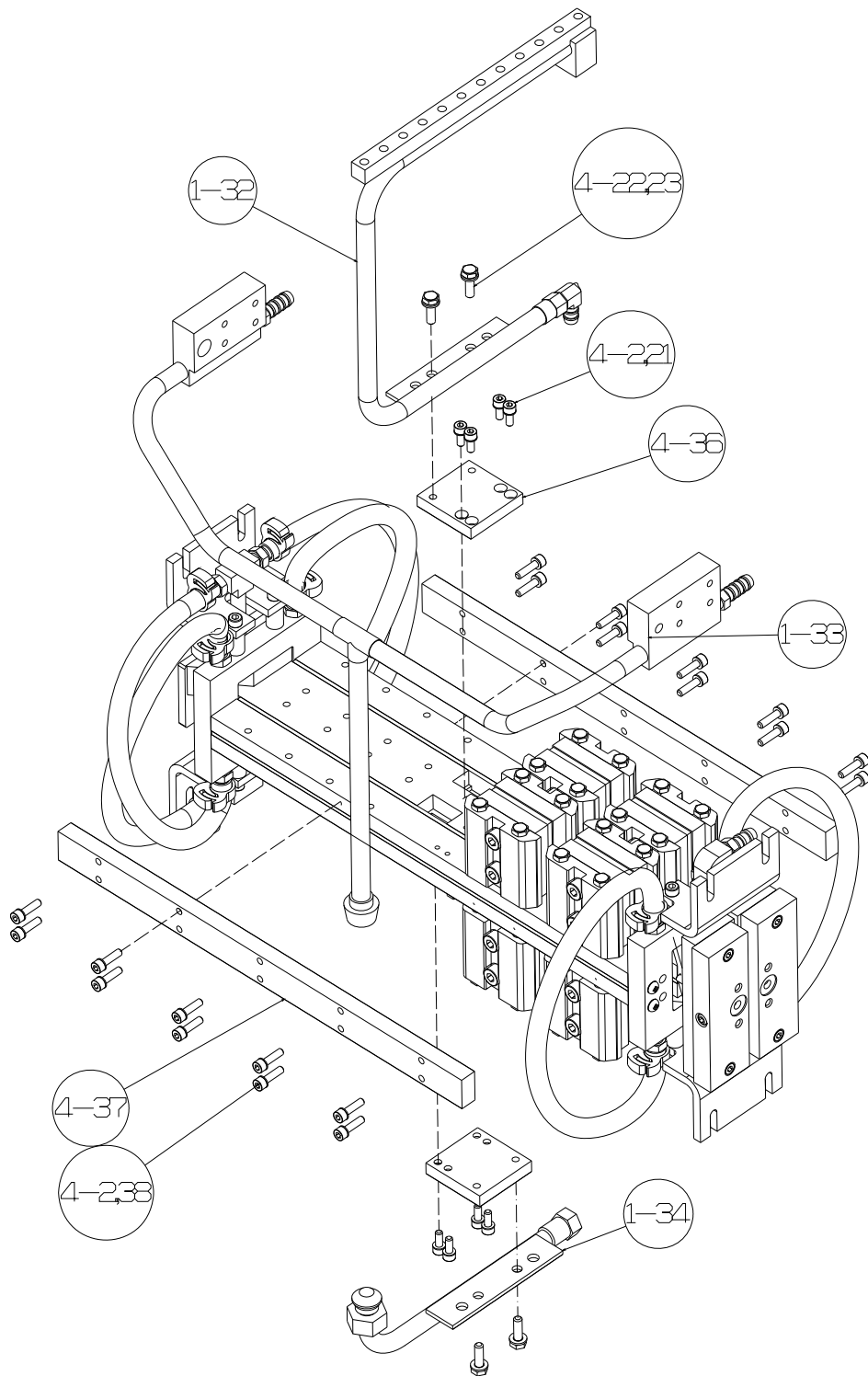


Figure 4-2: Cap. Rail assembly (Series / Parallel configuration)

ASM		PART#	DESCRIPTION
1-4		11170819	PLAT, OUTPUT, OFFSET
1-5		ORIN0001	O-RING, 1/16"thick X 9/16"O.D
1-9		CAPA0610	CAPACITOR, 210nF, 500V
1-32		11230902	BUS, COIL, CENTER CONNECT
1-33		11230841C	BUS, TRANSFORMER
1-34		11230842C	BUS, TRANSFORMER
4-1		SCRW0016	SCREW, 10-32X3/4", SHSO, SS
4-2		WASH0456	WASHER, LOCK, #10, SB
4-3		SCRW0140	SCREW, 10-32X1-1/4, PHPH, BR
4-4		WASH0456	WASHER, LOCK, #10, BR
4-5		WASH0434	WASHER, FLAT, #10, BR
4-6		11170833C	MANIFOLD, CONNEDTION, ULTEM
4-7		FITT0022	FITTING, 3/8" TUBEID, 1/8"NPT NYLO
4-8		CLAM0391	CLAMP, HOSE 1/2" TO 5/8" DIAMETER
4-9		HOSE0327	HOSE, 3/8"ID
4-10		SPAC0001	SPACER, TEFLON, 1/20D, .257ID
4-11		11170837C	SUPPORT, CAP, RAILASSY.
4-12		SCRW0029	SCREW, 1/4-20X1-1/2", SHSO, SS
4-13		WASH0426	WASHER, LOCK, 1/4, SS
4-14		WASH0492	WASHER, FLAT, 1/4", SS
4-15		11170835	MANIFOLD, OFFSET, END, BLOCK
4-16		FITT0005	FITTING, 1/8NPT NIPPLE
4-17		FITT0004	FITTING, 1/8NPTX3/8 BARB
4-18		FITT0006	FITTING, 1/8FPT ELBOW
4-19		11170836	CONNECTOR, CAP RAIL
4-20		SCRW1001	SCREW, 10-32X1-1/8", SHSOSS
4-21		SCRW1003	SCREW, 10-32X1/2", SHSO, SS
4-22		SCRW0040	SCREW, 1/4-20X1/2", HH, BR
4-23		WASH0501	WASHER, LOCK, 1/4", SB
4-24		11170831B	BUS, CAP RAIL, CENTER
4-25		FITT0019	FITTING, 1/8FPT TEE
4-26		SCRW0013	SCREW, 10-32X5/8", PHPH, BR
4-27		11170840	PLATE, BLANKING
4-28		11170838	INSULATOR, STRIP, CENTER
4-29		11170839	INSULATOR, STRIP, SIDES_1
4-30		11170832B	BUS, CAP RAIL, SIDE
4-31		11170839	INSULATOR, STRIP, SIDES_2
4-32		ORIN9452	O-RING, 1/16X1/4X3/8
4-33		SCRW0554	SCREW, 1/4-20X1/2", PHPH, BR
4-34		11170834B	BUS, END, BLOCK
4-35		SCRW0140	SCREW, 1/8NPT X 3/8" NHSO, SS
4-36		11170303	SERIES CONNECTOR CAP. RAIL
4-37		11170302	JUMPER CAP. RAIL
4-38		SCRW1005	SCREW, 10-32X3/4", SHSO, SS

Table 4:Cap. Rail assembly