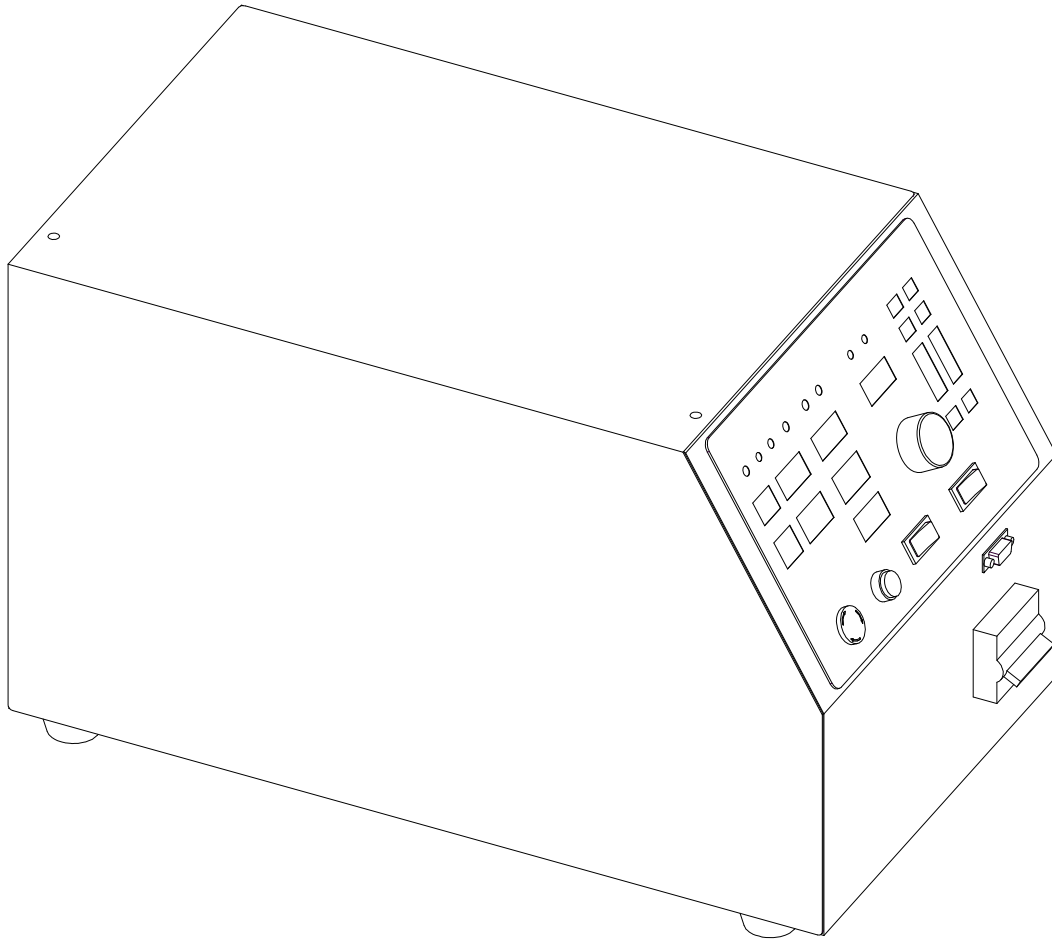


3kW Induction Power Supplies

Spare Parts



Model 3-135/400-3
Revision : 06.05.06

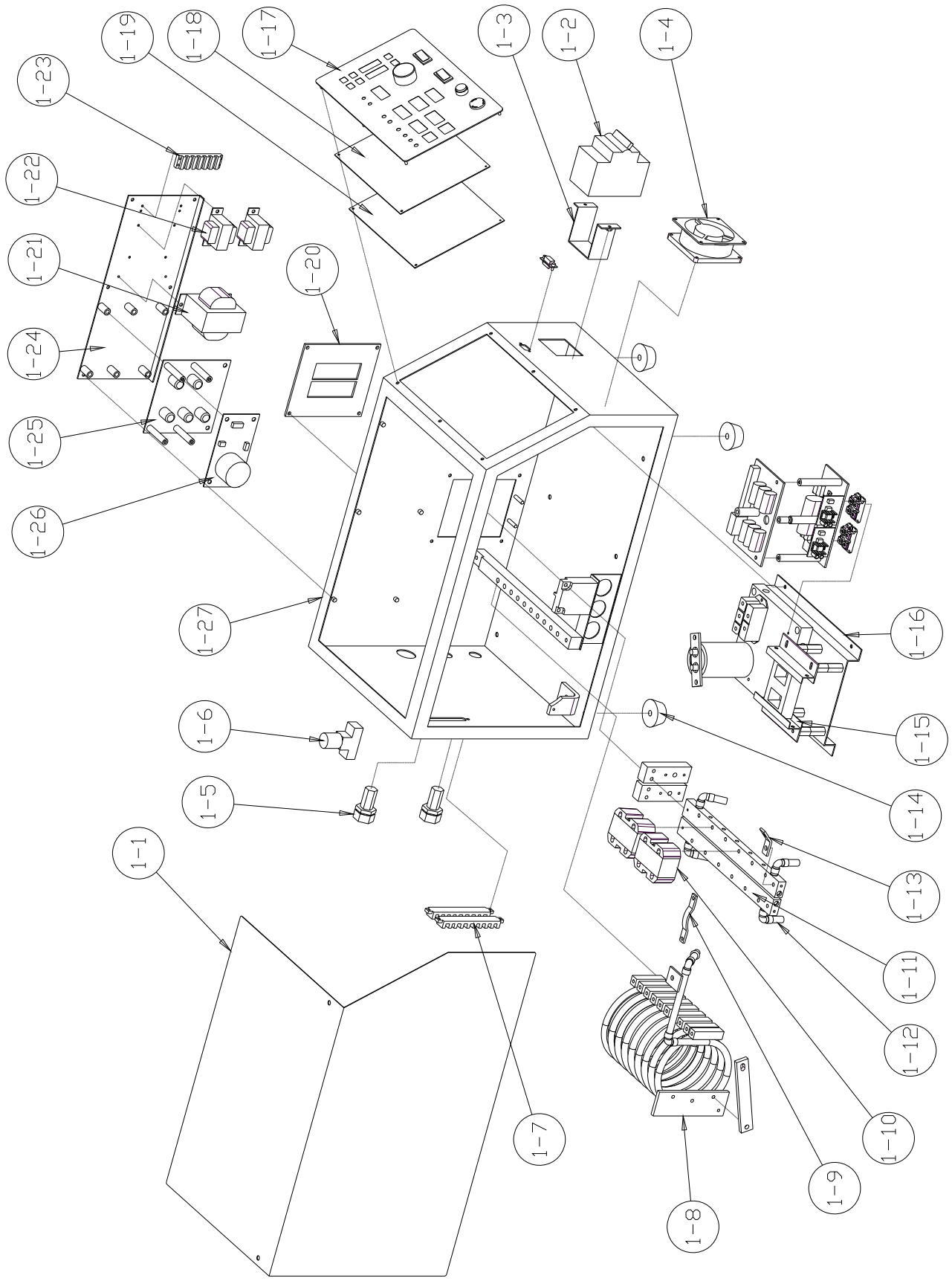


Figure 1-1: Cabinet assembly

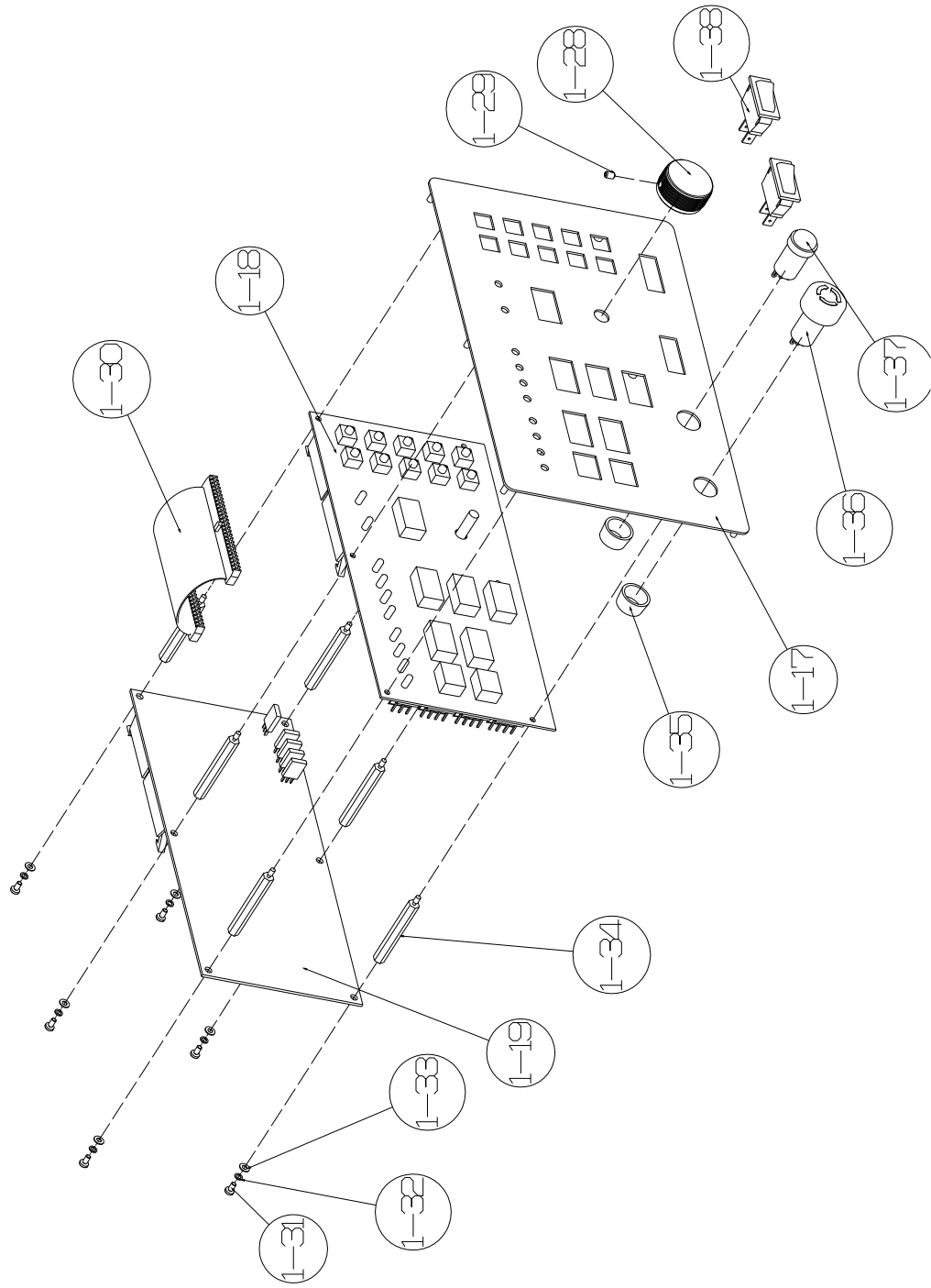


Figure 2-2: Cabinet assembly

Item No.	Sch. Des.	Qty.	Description	Part Number
1-1		1	Cover Frame	11100602
1-2		1	Circuit Breaker 220V, 32A	CIBR0618
1-3		1	Bracket , Breaker S/W	11100603
1-4		1	Fan, 3.14", 230V	FANZ0330
1-5		2	Fitting, 1/4"NPF	FIT0300
1-6		1	Switch, Pressure	SWIT0390
1-7		2	Terminal, Block, 10Pos	TERM0310
1-8		1	Inductor Assy	11000900
1-9		1	Bus Jumper	CABL0001
1-10			Capacitor, 0.66uF, 500V CHH	CAPA0366
1-10		2	Capacitor, 0.66uF, 570V CHG	CAPA6066
1-11		1	Rail, Capacitor, Assy	11000800
1-12		4	Fitting, ELB, 3/8B-1/8NPM, BR	11000802
1-13		1	Rail-Trans Joint Terminal	11000806
1-14		4	Feet, Rubber, 1 1/2	FEET0487
1-15		1	Transformer, Matching	11000200
1-16		1	Heat sink, Inverter Assy	11000400
1-17		1	Front Panel	11000701
1-18		1	PCB Assy., Display	11100545
1-19		1	PCB Assy., Control	11100505
1-20		1	Plate, Output Cover	11100802
1-21		1	Trans, DT-1059-1	TRAN1059
1-22		2	Trans, DT-1060	TRAN1060
1-23		1	Terminal, Block, 6Pos	TERM0306
1-24		1	Trans, Base	11100404
1-25		1	PCB, Assy., Power Supply	11100220
1-26		1	PCB, Assy., Sense	11100535
1-27		1	Base, Frame	11000602
1-28		1	Knob, 1-1/4"dia. x 5/8"	KNOB0310
1-29		1	SCREW, M4 x 8MM, NH50, SS	SCRW0102
1-30		1	WIRE, PLATE 60P	CABL0125
1-31		6	SCREW, 6-32 x 3/8, PHPH, BR	SCRW7476
1-32		6	WASHER, LOCK, #6, BR	WASH0502
1-33		6	WASHER, FLAT, #6, BR	WASH0436
1-34		6	S-OFF, 1/4HEX 2", 6-32, FM ,BR	STAN0191
1-35		2	Mounting Nut	NUTS0300
1-36		1	Switch, e-stop	SWIT0300
1-37		1	Switch, reset	SWIT1300
1-38		2	Switch, rocker	SWIT0166
			Hose, 3/8" 3'	HOSE0327
		1	Shunt Trip for ABB 270 series	CIBR0615
			Hose clamp, double grip, nylon	CLAM0391
		1	Switch, Temperature, 110 F	SWIT0167

Table 1: Cabinet Assembly

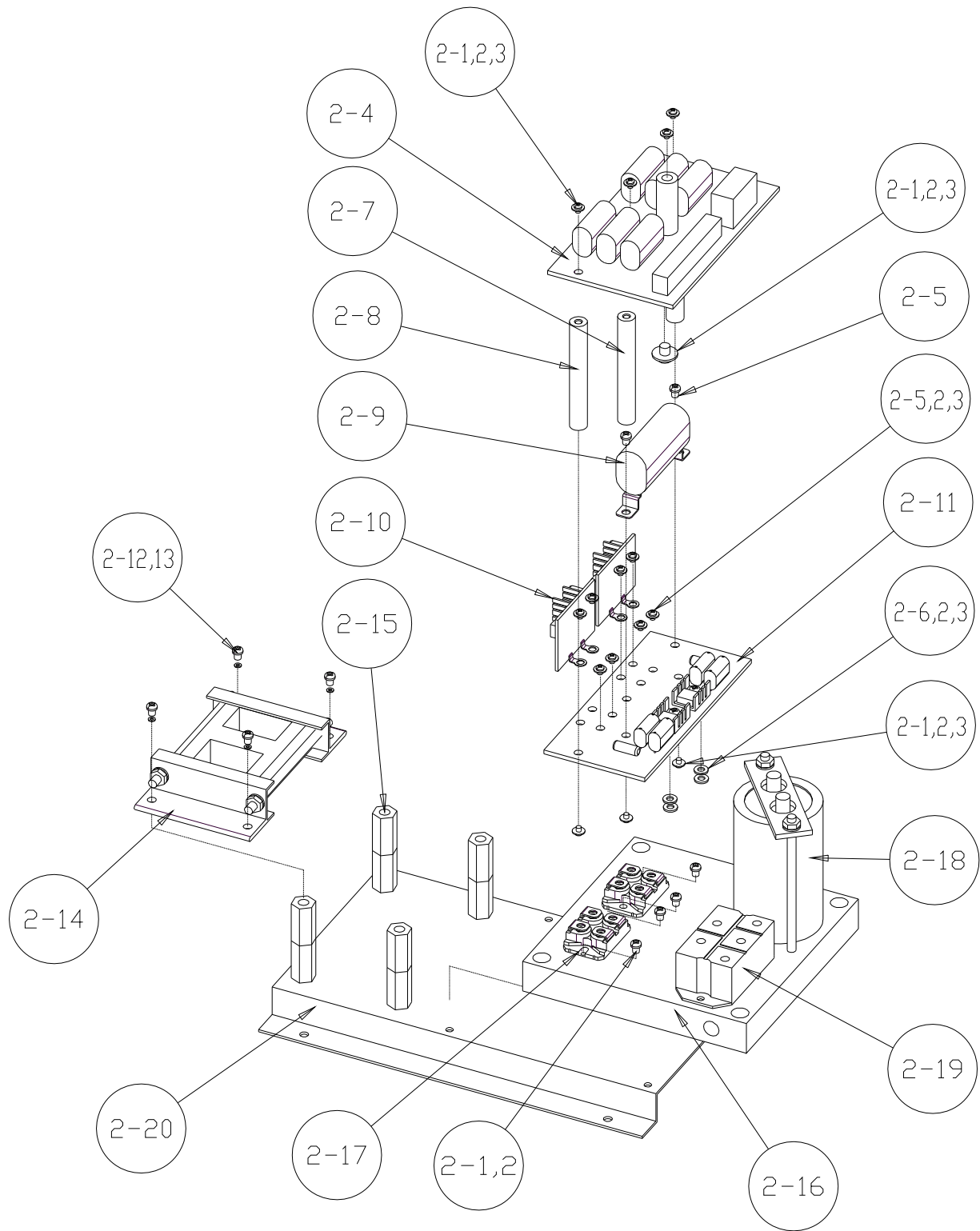


Figure 2: Inverter assembly

INVERTER ASM, 3KW

ASM	QNTY	PART#	DESCRIPTION
2-1	12	SCRW0041	SCREW, #8-32 X 1/2, PHPH BR
2-2	24	WASH0429	WASHER, LOCK, #8, BR
2-3	18	WASH0454	WASHER, FLAT, #8, BR
2-4	1	11100705	PCB Assy., Divider Capacitors
2-5	10	SCRW01102	SCREW, M4 X 8, PHPH BR
2-6	10	NUTS0256	NUT, M4, HEX, BR
2-7	1	STAN0002	STANDOFF, 3/8 RND X 3, #8-32, FF, AL
2-8	3	STAN0302	STANDOFF, 6/15 RND X 42mm, #8-32, FF, AL
2-9	1	CAPA0024	Capacitor, 10uF, 400V, FILM
2-10	2	11171525	PCB Assy., Gate Drive
2-11	1	11100515	PCB Assy., Snubber
2-12	4	SCRW0554	SCREW, 14-20 X 1/2, PHPH BR
2-13	4	WASH0501	WASHER, LOCK, 1/4, BR
2-14	1	11000200	Transformer, Matching
2-15	8	STAN00188	S-OFF, 1/2 HEX X 1, 1/4-20 MF, AL
2-16	1	11000401	Cooling Plate
2-17		MOSF0270	MOSFET, 600V, 70A IXFN70N60Q2 Do Not Substitute
2-17	2	MOSF0268	MOSFET, 600V, 62A APT60M75JVR Do Not Substitute
2-18	1	CAPA0132	Capacitor, 1000uF, 400V
2-19	1	DIOD0062	Diode Bridge, 1600V, 62A
2-20	1	11000403	Base Plate

Recommended spare parts for OEMs