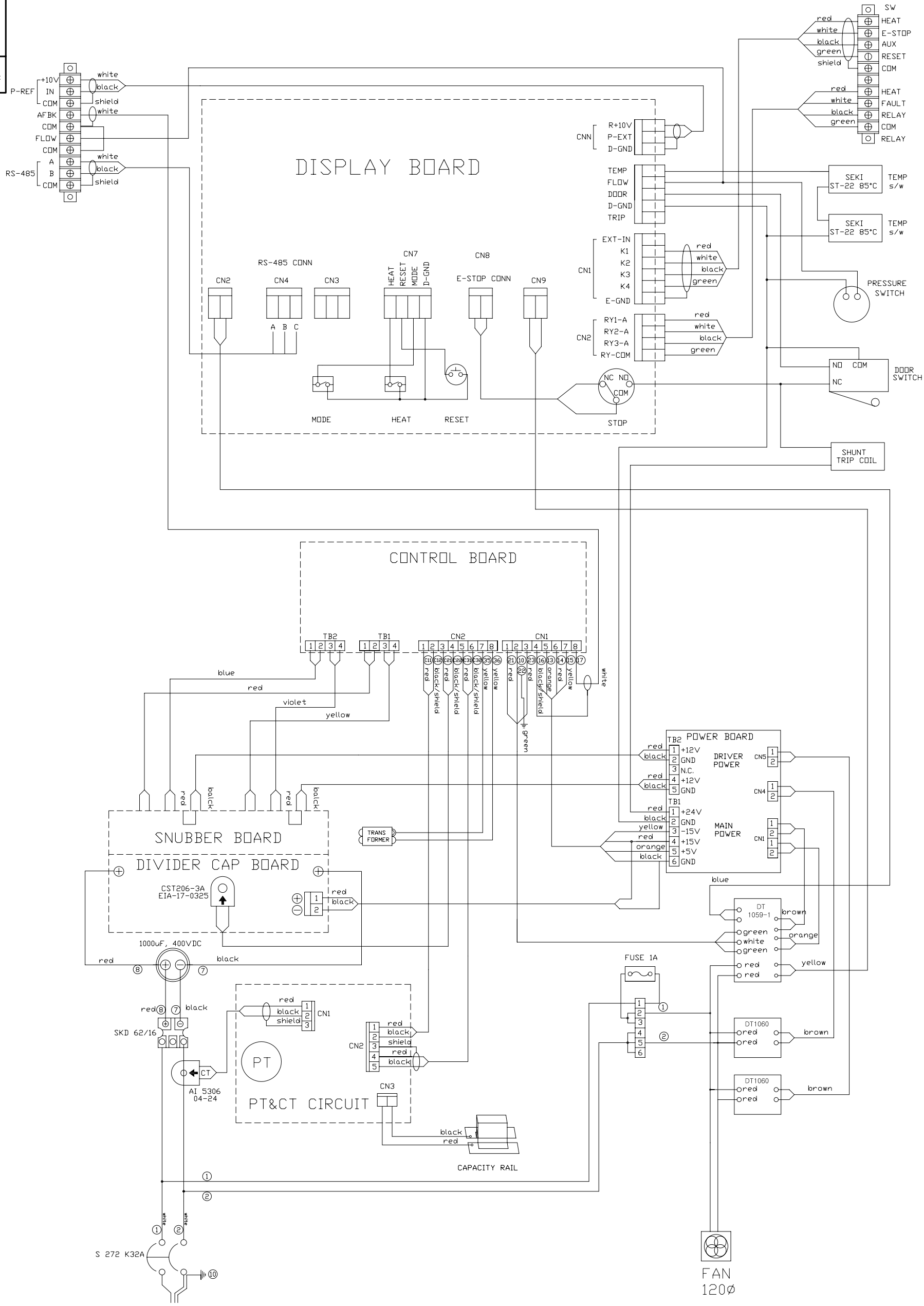


REV. A	DESCRIPTION	DATE	APPROVED
<p>UNLESS OTHERWISE SPECIFIED DIMENSIONS ARE IN INCHES DIMENSIONS ARE IN MILLIMETERS TOLERANCES ARE: FRACTIONS DECIMALS MILLIMETERS .015 .005 .005 .005 .005 .005 .005 .005</p>			
SIZE	SHEET 1 OF 1	CHECKED 05.10.20	ISSUED
SCALE: 1:1	SCALE: 1:1	SCALE: 1:1	SCALE: 1:1
QUANTITY PER UNIT		REV. BY	REV. DATE
		REV. No.	REV. DATE
REVISION DESCRIPTION		REV. DATE	REV. No.
3 KW WIRING (WATER COOLING TYPE)		05.10.20	
DRAWN BY: YANG		DATE: 05.10.20	DWG. NO. —
PRECISION POWER SYSTEMS & TECHNOLOGY, INC.			



REV. A	DESCRIPTION	DATE	APPROVED
<p>UNLESS OTHERWISE SPECIFIED DIMENSIONS ARE IN INCHES DIMENSIONS ARE IN MILLIMETERS TOLERANCES ARE: FRACTIONS DECIMALS MILLIMETERS .015 .005 .005 .005 .005 .005 .005 .005</p>			
SIZE	SHEET 1 OF 1	CHECKED 05.10.20	ISSUED
SCALE: 1:1	SCALE: 1:1	SCALE: 1:1	SCALE: 1:1
QUANTITY PER UNIT		REV. BY	REV. DATE
		REV. No.	REV. DATE
REVISION DESCRIPTION		REV. DATE	REV. No.
3 KW WIRING (WATER COOLING TYPE)		05.10.20	
DRAWN BY: YANG		DATE: 05.10.20	DWG. NO. —
PRECISION POWER SYSTEMS & TECHNOLOGY, INC.			