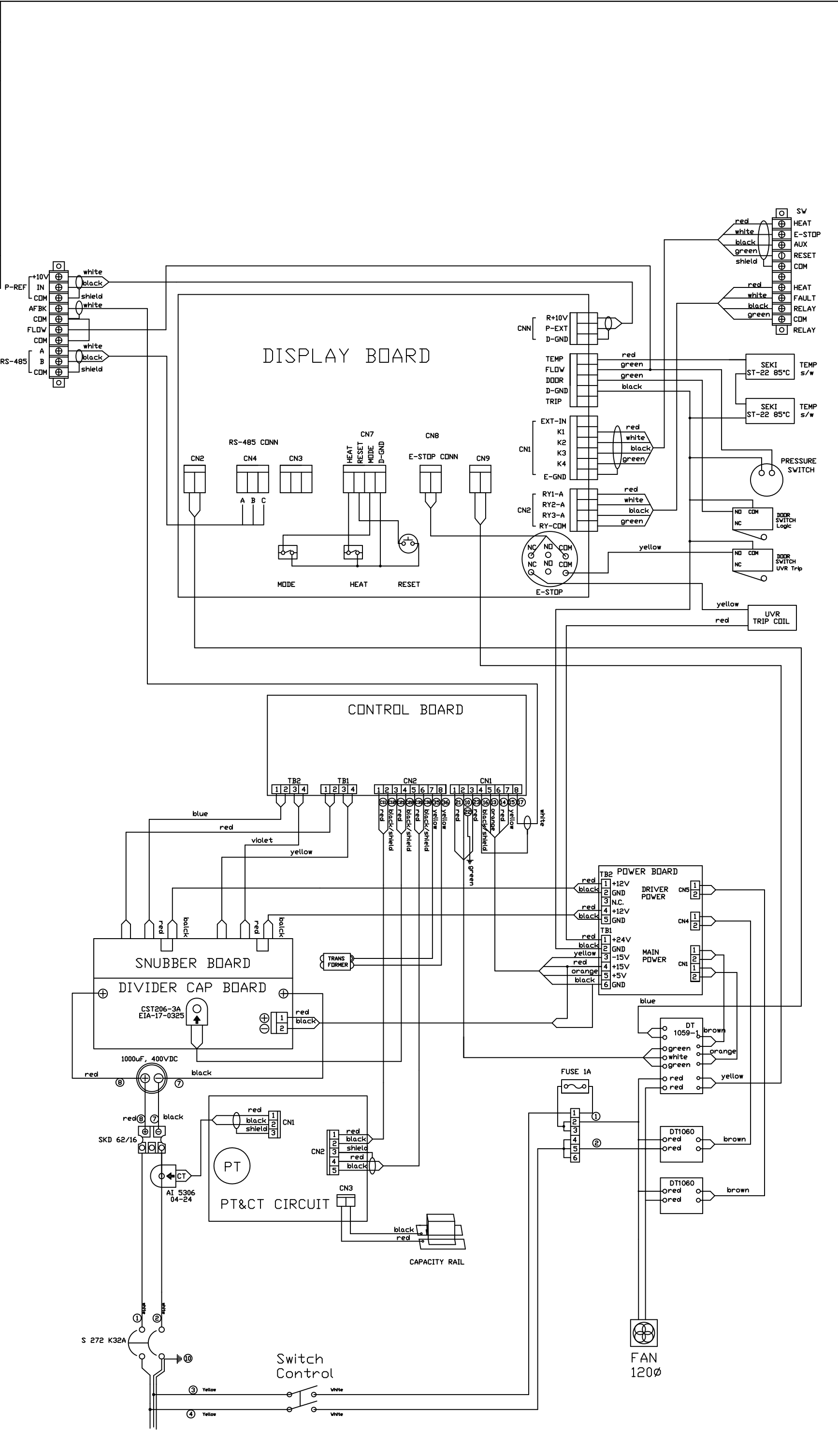


REV.	DESCRIPTION	DATE	APPROVED
A			



PRECISION POWER SYSTEMS & TECHNOLOGY, INC.		DRAWN BY: YANG	DATE: 05.10.20	DWG. NO. —
3KW WIRING (WATER COOLING TYPE)		3 KW UNIT		
REVISION DESCRIPTION				
SIZE	SHEET 1 OF 1	SCALE: 1:1	REV. BY	REV. DATE
CHECKED	05.10.20	ISSUED		
UNLESS OTHERWISE SPECIFIED DIMENSIONS ARE IN INCHES FRACTIONS ARE 1/16" DECIMALS ARE 0.005" MINIMUM	SEE NOTE 1	FINISH	SEE NOTE 2	SEE NOTE 3
QUANTITY PER UNIT	—			