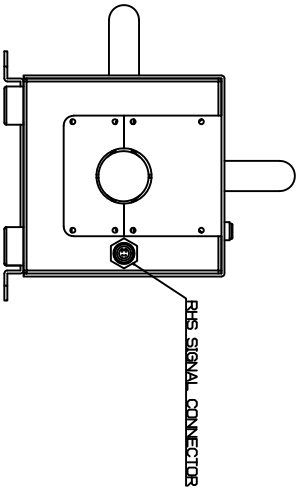
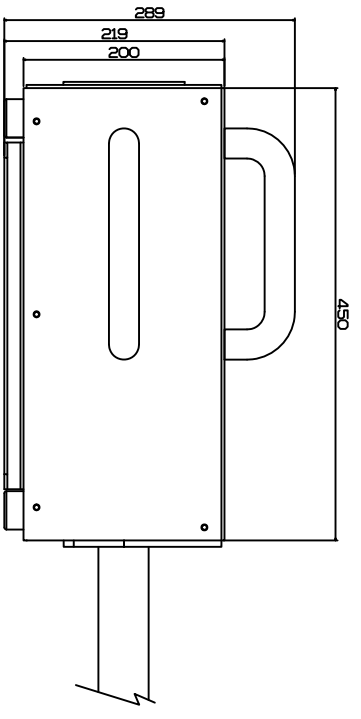
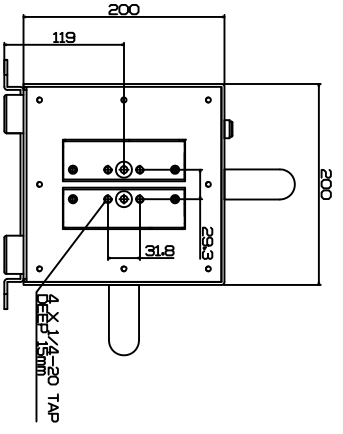
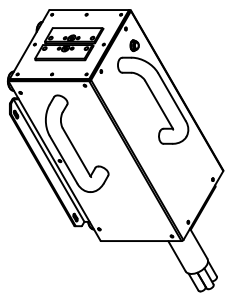
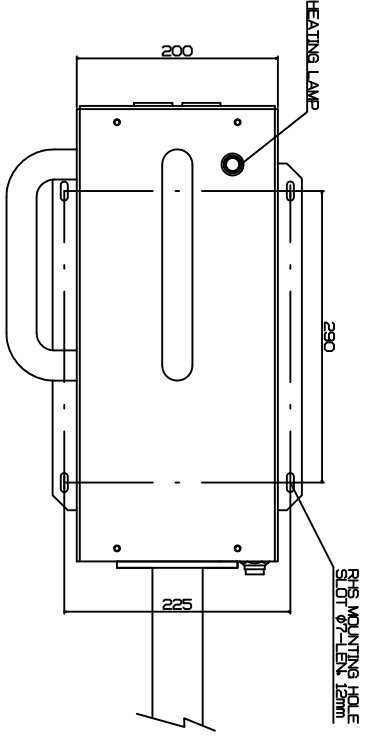


NOTES, UNLESS OTHERWISE SPECIFIED:

- 1. -
- 2. -
- 3. -



REV.	DESCRIPTION	DATE	APPROVED
A			
B			

QUANTITY PER UNIT	1	
	REV. 1 OF 4	PRECISION POWER SYSTEMS & TECHNOLOGY, INC.
DATE	11.1	REV. 1 OF 4
DESCRIPTION	40KW R/S LAYOUT	PRECISION POWER SYSTEMS & TECHNOLOGY, INC.
DESIGNED BY		PRECISION POWER SYSTEMS & TECHNOLOGY, INC.
CHECKED BY		PRECISION POWER SYSTEMS & TECHNOLOGY, INC.
APPROVED BY		PRECISION POWER SYSTEMS & TECHNOLOGY, INC.
DATE	2008.08.17	PRECISION POWER SYSTEMS & TECHNOLOGY, INC.