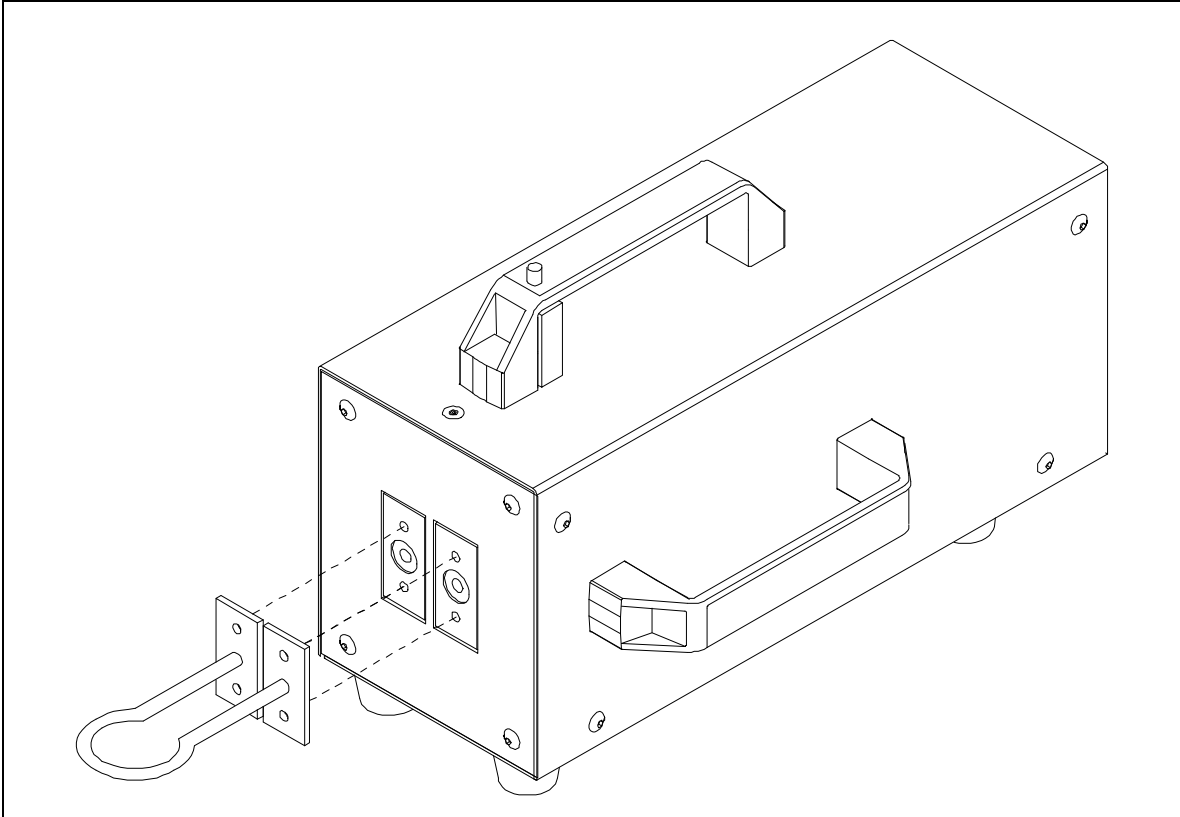


PPSTinc Remote Heat Station revb
For use with Induction Heating Power Supplies



A coil mounts to the output blocks with four 10-32 screws.

Dimensions: Length	13.8in (351mm)
Width	5.3in (135mm)
Height (box)	6.1in (155mm)
Height (w/feet)	6.8in (173mm)
Weight (unloaded box)	12lb (5.4kg)
Weight (with 10ft cable)	24lb (10.8kg)

The Remote Heat Station comes with a 10' cable that consists of a coax cable, water hoses for cooling the capacitor rail and coil and wiring for remote switching. All the cables are enclosed in a sheathe measuring about 2" in diameter. Resonate capacitors are loaded inside unit to extend the tank circuit of the power supply. Proper tuning is required for optimal power to the output coil. Remote Heat station is designed for 7.5kW but with proper tuning and a tightly coupled load it can be used for up to 12.5kW.

