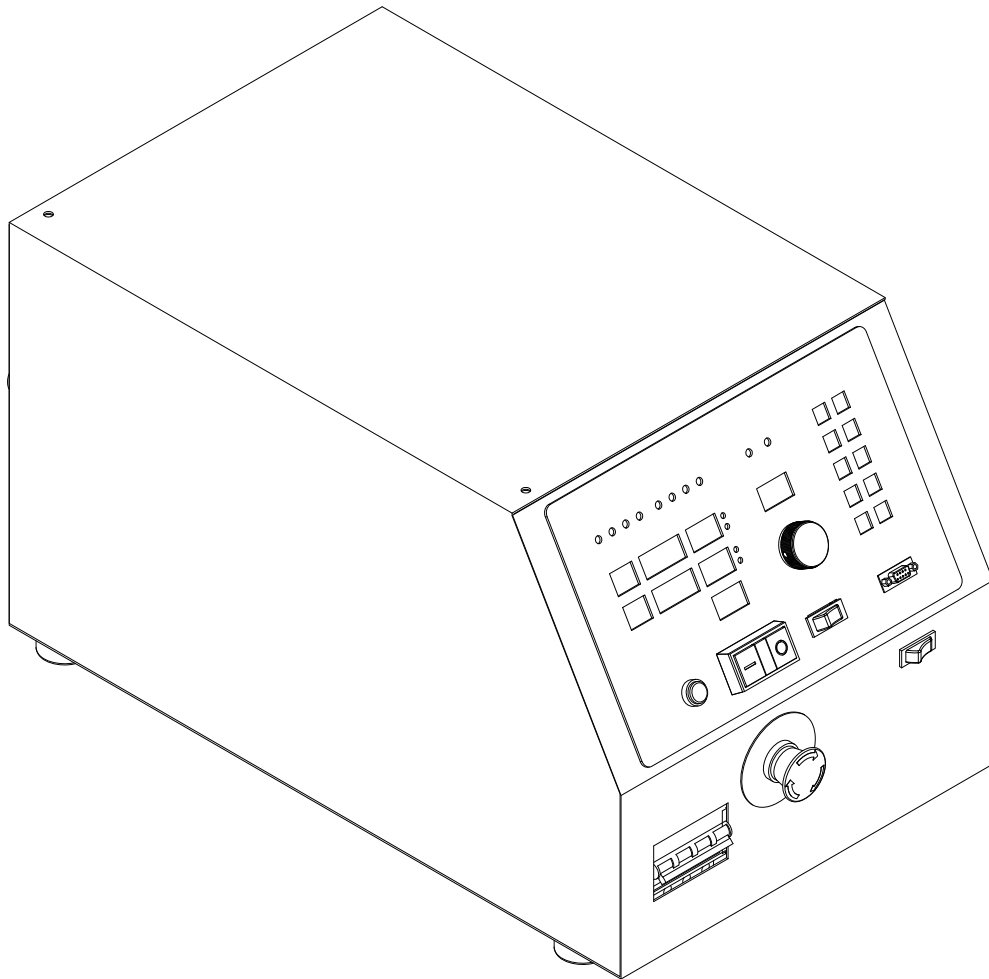
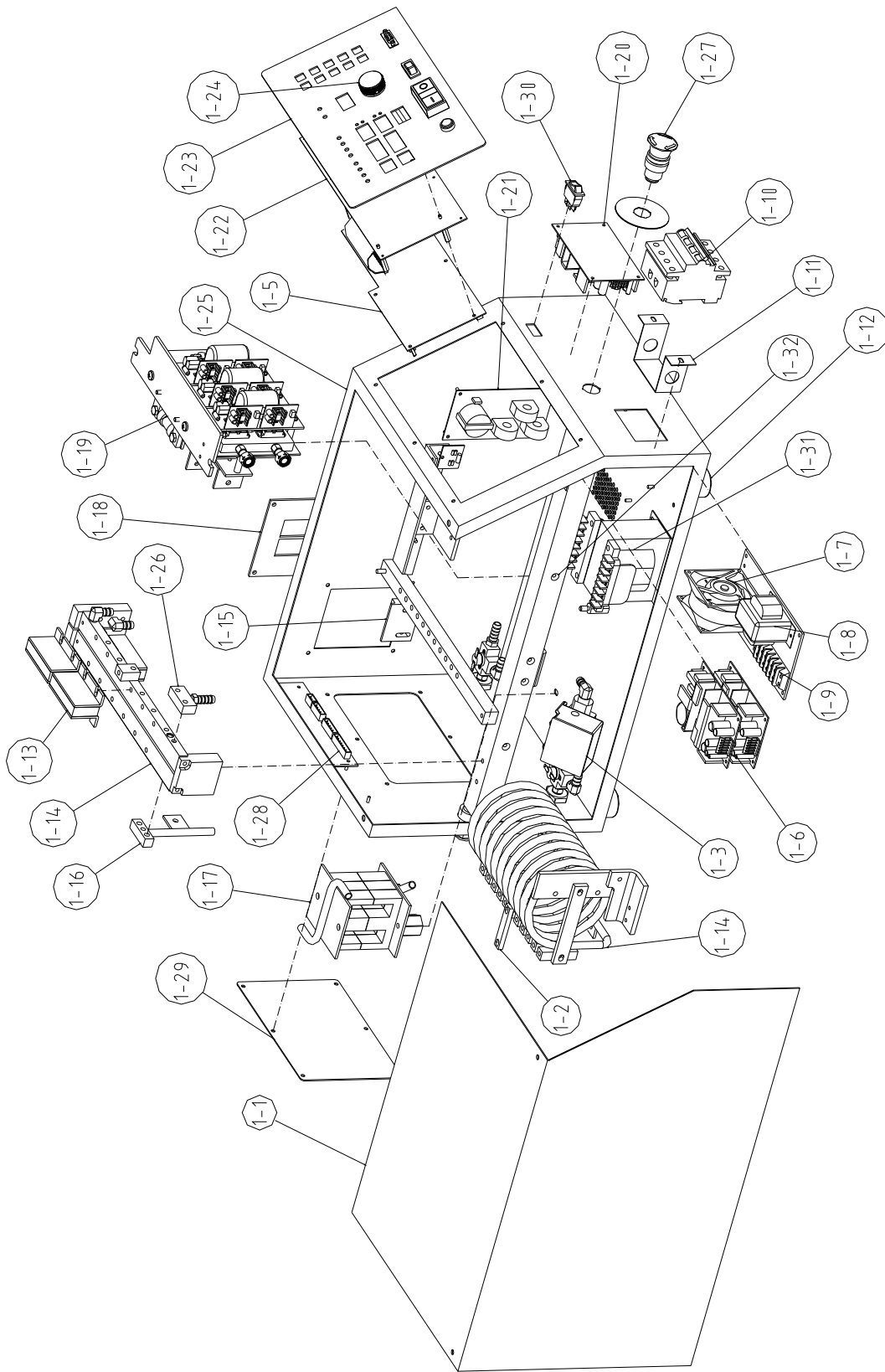


# PPST SS-400 Series Induction Power Supplies

## Spare Parts



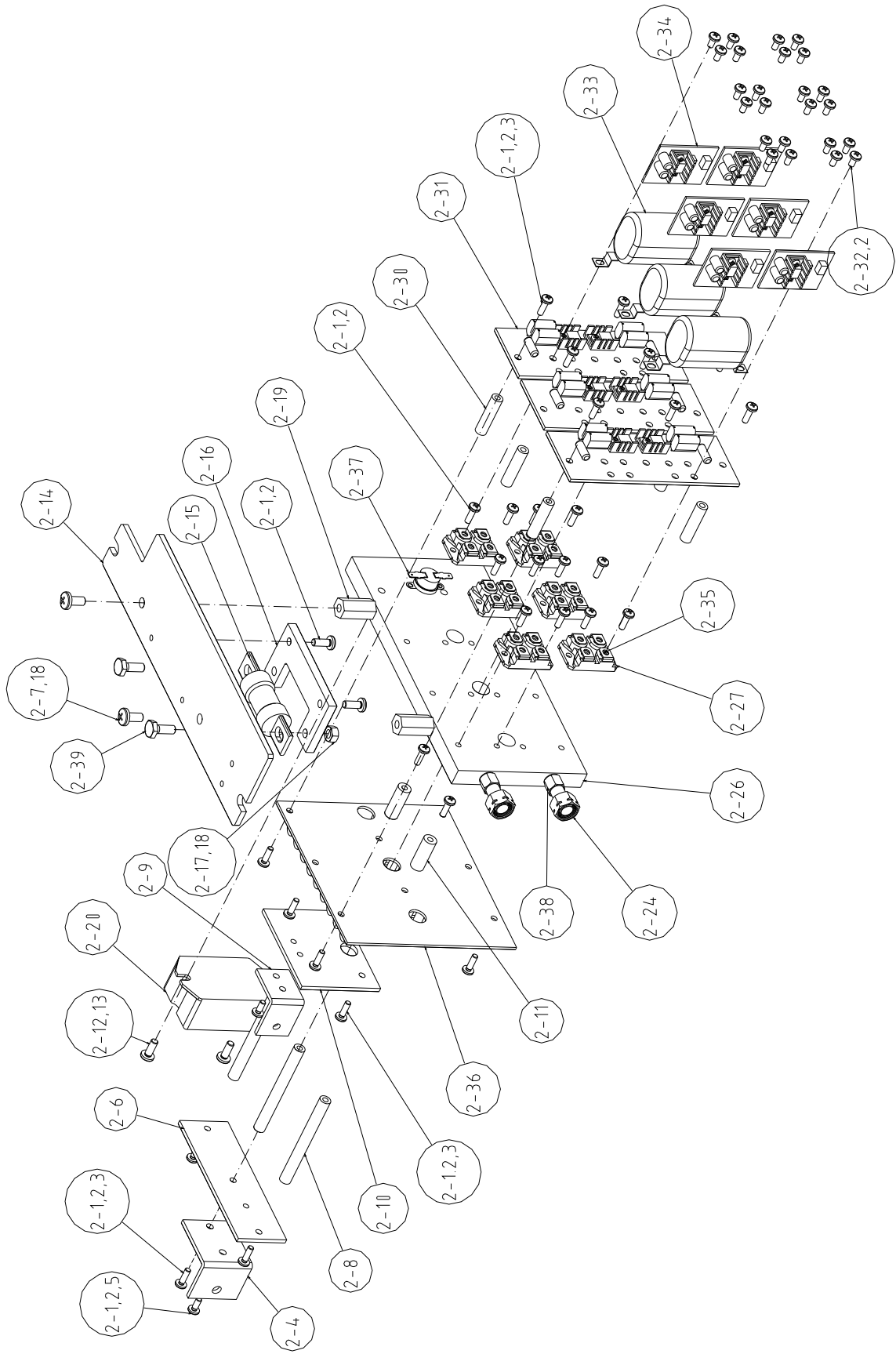
Model 5-480-135/400-3, 7.5-480-135/400-3  
5-415-135/400-3, 7.5-415-135/400-3  
5-380-135/400-3, 7.5-380-135/400-3  
Revision 10.07.20



**Figure 1: Cabinet assembly**

| Item No. | Q'ty | Description                               | Part Number  |
|----------|------|---|--------------|
| 1-1      | 1    | Top Cover                                 | 11110632     |
| 1-2      | 1    | Bus Jumper                                | 11110922     |
| 1-3      | 1    | Switch, DP, 4-43PSI                       | SWIT0490     |
| 1-4      | 1    | Inductor Assy.                            | 11110900     |
| 1-5      | 1    | PCB Assy., Control                        | 11230505     |
| 1-6      | 2    | Power Supply, Switching, 12VDC, 40W       | POWS0619     |
| 1-7      | 1    | Fan, 3.14", 230V                          | FANZ0632     |
| 1-8      | 1    | Transformer, DT-1077                      | TRANS1077    |
| 1-9      | 4    | Terminal, Block, 6 Pos.                   | TERM0835     |
| 1-10     | 1    | Circuit Breaker, 240V, 32A                | CIBR0614     |
| 1-12     | 4    | Feet, Rubber, 1 1/2"                      | FEET0487     |
| 1-13     | 1    | Capacitor,210nF, 500V ,Film               | CAPA0610     |
| 1-14     | 1    | Rail, Capacitor, Assy.                    | 11110800     |
| 1-15     | 1    | Support Block, Cap Bus                    | 11110815     |
| 1-16     | 1    | Weldment, Tap Bar                         | 11110921     |
| 1-17     | 1    | Transformer, Matching                     | 11110201     |
| 1-18     | 1    | Cover, Plate , Output                     | 11110427     |
| 1-19     | 1    | Inverter                                  | 11110400-480 |
| 1-20     | 1    | Power Supply, Switching, Tri. Output, 40W | POWS0620     |
| 1-21     | 1    | PCB Assy., Sense                          | 11110535     |
| 1-22     | 1    | PCB Assy., Display                        | 11230545     |
| 1-23     | 1    | Front Panel                               | 11110720     |
| 1-24     | 1    | Knob, 1-1/4" Dia. x 5/8"                  | KNOB0310     |
| 1-25     | 1    | Bottom Panel                              | 11110630     |
| 1-26     | 1    | Hose Barb Mount                           | 11110834     |
| 1-27     | 1    | Switch, E-stop                            | SWIT0784     |
| 1-28     | 1    | PCB Assy, Ext-Term                        | 11230612     |
| 1-29     | 1    | Case Rear Cover                           | 1110310      |
| 1-30     | 1    | Switch, Control power                     | SWIT0186     |
| 1-31     | 1    | Step-Down Transformer                     | DT-11076     |
| 1-32     | 1    | Cap. Rail Support, Glastic                | 11110635     |

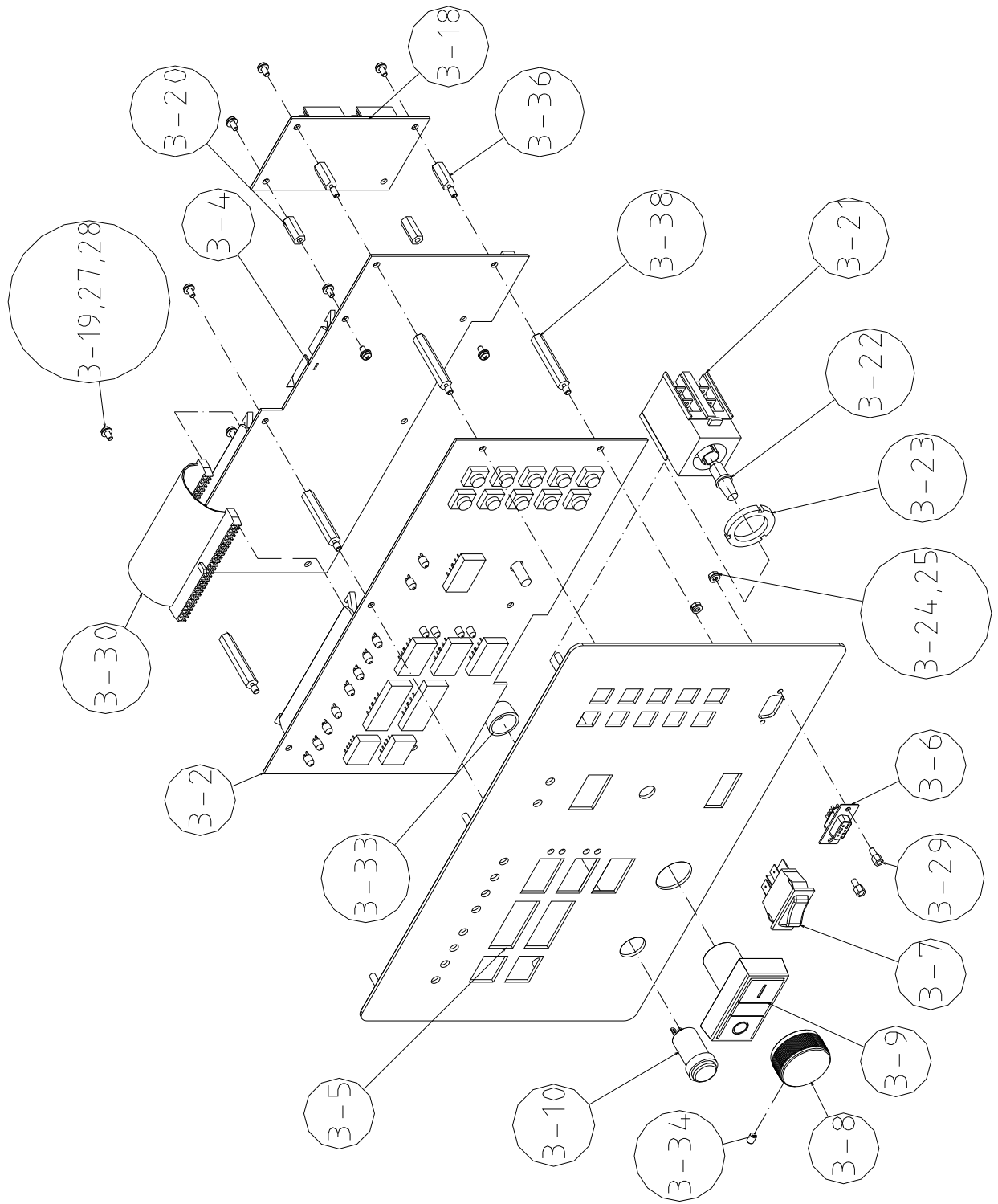
**Table 1: Cabinet Assembly**



**Figure 2: Inverter assembly**

| Item No. | Q'ty | Description                                   | Part Number  |
|----------|------|---|--------------|
| 2-1      | 3    | SCREW, 8-32 X 1/2, PHPH, BR                   | SCRW0089     |
| 2-2      | 50   | WASHER, LOCK, #8, SB                          | WASH0429     |
| 2-3      | 23   | WASHER, FLAT, #8, BR                          | WASH0454     |
| 2-4      | 1    | BUS, X'FMR, CONNECTION                        | 11110425     |
| 2-5      | 22   | SCREW, 8-32 X 3/8, PHPH, BR                   | SCRW0041     |
| 2-6      | 1    | BUS, TOP, OUTPUT                              | 11110412     |
| 2-7      | 2    | SCREW, 1/4-20 X 1/2, PHPH, BR                 | SCRW0554     |
| 2-8      | 3    | STANDOFF, 5/16 RND X 3, 8-32, FF, AL          | STAN0002     |
| 2-9      | 1    | BUS, CT MTG., OUTPUT                          | 11110414     |
| 2-10     | 1    | BUS, FEED THRU, OUTPUT                        | 11110413     |
| 2-11     | 2    | S-OFF, 3/8 RND X 1, 8-32, FF, AL              | STAN0724     |
| 2-12     | 2    | SCREW, 10-32 X 1/2, PHSO, SS-3                | SCRW0100     |
| 2-13     | 2    | WASHER, LOCK, #10, SS                         | WASH0455     |
| 2-14     | 1    | HANDLE, HEATSINK                              | 11110416     |
| 2-15     | 1    | FUSE, 500V, 60A                               | FUSE0342     |
| 2-16     | 1    | BRACKET, FUSE MOUNTING                        | 11110426     |
| 2-17     | 2    | NUT, 1/4-20, HEX, BR                          | NUTS0251     |
| 2-18     | 4    | WASHER, LOCK, 1/4, SB                         | WASH0501     |
| 2-19     | 2    | S-OFF, 1/2 HEX X 1, 1/4-20 MALE-FEMALE, ALUM. | STAN00188    |
| 2-20     | 1    | DIODE BRIDGE, 3 PHASE, 1600 A , 60A           | REBR0226     |
| 2-24     | 2    | FITTING, ELB, 3/8 C - 1/4NP, BR               | FITT0639     |
| 2-26     | 1    | FABRICATION, HEAT SIN K                       | 11110441     |
| 2-27     | 6    | MOSFET, 1200V,32A                             | MOSF0232     |
| 2-28     | 12   | SCREW, 8-32 X 3/8, PHSO, SS                   | SCRW0015     |
| 2-29     | 12   | WASHER, LOCK, #8, SS                          | WASH0459     |
| 2-30     | 6    | S-OFF, 5/16 RND X 1 1/4, 8-32, FF, AL.        | STAN0198     |
| 2-31     | 3    | PCB ASM, SNUBBER                              | 11170515-40A |
| 2-32     | 24   | SCREW, M4 X 8, PHSL, BR                       | SCRW0102     |
| 2-33     | 3    | CAPACITOR, 2.0UF, 1000V, FILM                 | CAPA0620     |
| 2-34     | 6    | PCB ASM, GATE DRIVE                           | 11171525     |
| 2-35     | 24   | NUT, M4, HEX, BR                              | NUTS0256     |
| 2-36     | 1    | PCB Assy, Divider Capacitors                  | 11110705-480 |
| 2-37     | 1    | Temperature Switch for Outlet(60C)            | SWIT0618     |
| 2-38     | 4    | compression fitting screw                     |              |
| 2-39     | 4    | Brass Pan Head Phillips Screw 1/4"-20         |              |

**Table 2: Inverter Assembly**



**Figure 3 Display assembly**

| Item No. | Q'ty | Description                        | Part Number |
|----------|------|------------------------------------|-------------|
| 3-2      | 1    | PCB assy., display                 | 11230545    |
| 3-4      | 1    | PCB assy., control                 | 11230505    |
| 3-5      | 1    | Front panel                        | 11230721    |
| 3-6      | 1    | Connector 9pin                     | CONN0009    |
| 3-7      | 1    | Switch, rocker, DPST               | SWIT0166    |
| 3-8      | 1    | Knob, 1-1/4" dia. x 5/8"           | KNOB0310    |
| 3-9      | 1    | Button, heating switch             | SWIT0300    |
| 3-10     | 1    | Switch, reset                      | SWIT0884    |
| 3-18     | 1    | PCB assy., EXT-IO                  | 11230742    |
| 3-19     | 10   | SCREW, 6-32 x 3/8, PHPH, BR        | SCRW7476    |
| 3-20     | 2    | S-OFF 1/4HEX 14mm, 6-32, FF,AL     |             |
| 3-21     | 1    | Housing, heating switch            | SWIT0177    |
| 3-22     | 1    | Lamp, heating switch               | LAMP0001    |
| 3-23     | 1    | Mounting Nut, heating switch       | NUTS1001    |
| 3-24     | 2    | NUT, HEX, #4, BR                   |             |
| 3-25     | 2    | WASHER, LOCK, #4, BR               |             |
| 3-27     | 16   | WASHER, LOCK, #6, BR               | WASH0435    |
| 3-28     | 16   | WASHER, FLAT, #6, BR               | WASH0436    |
| 3-29     | 2    | S-OFF, 5mm HEX 5mm, 4-40, FM,BR    |             |
| 3-30     | 1    | WIRE, PLATE 50P ASSY               | CABL0300    |
| 3-33     | 1    | Mounting Nut, reset switch         | NUTS0724    |
| 3-34     | 1    | SCREW, M4 x 8MM, NHSO, SS          |             |
| 3-36     | 2    | S-OFF, 1/4HEX 14mm, 6-32, FM, AL   |             |
| 3-38     | 6    | S-OFF, 1/4HEX 31.8mm, 6-32, FM, AL | STAN0723    |

**Table 3: Display Assembly**