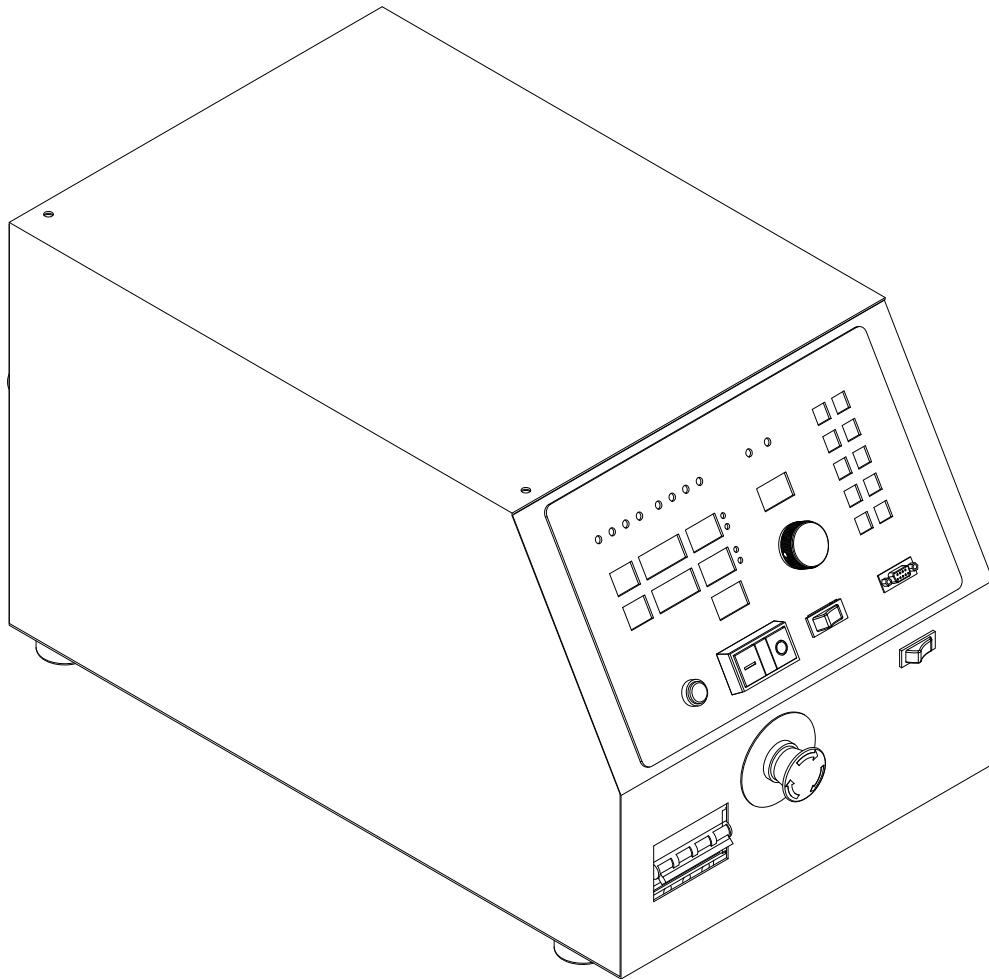


PPST SS-400 Series Induction Power Supplies

Spare Parts



Model 5-480-135/400-3, 7.5-480-135/400-3
5-415-135/400-3, 7.5-415-135/400-3
5-380-135/400-3, 7.5-380-135/400-3
Revision 10.07.20

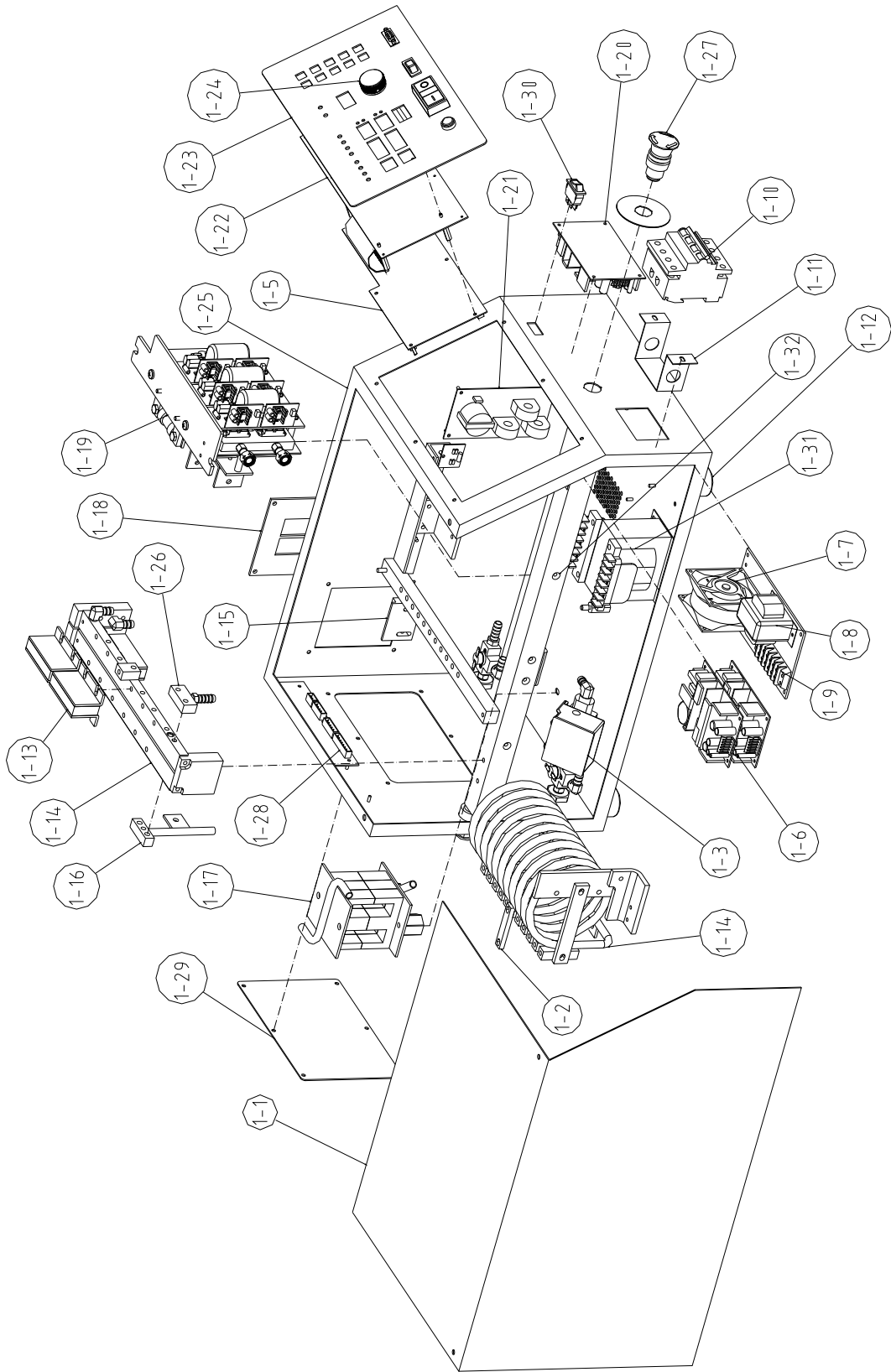


Figure 1: Cabinet assembly

Item No.	Q'ty	Description	Part Number
1-1	1	Top Cover	11110632
1-2	1	Bus Jumper	11110922
1-3	1	Switch, DP, 4-43PSI	SWIT0490
1-4	1	Inductor Assy.	11110900
1-5	1	PCB Assy., Control	11230505
1-6	2	Power Supply, Switching, 12VDC, 40W	POWS0619
1-7	1	Fan, 3.14", 230V	FANZ0632
1-8	1	Transformer, DT-1077	TRANS1077
1-9	4	Terminal, Block, 6 Pos.	TERM0835
1-10	1	Circuit Breaker, 480V, 20A	CIBR0616
1-10	1	Circuit Breaker, UVR	CIBR0620
1-12	4	Feet, Rubber, 1 1/2"	FEET0487
1-13	1	Capacitor, 210nF, 500V, Film	CAPA0610
1-14	1	Rail, Capacitor, Assy.	11110800
1-15	1	Support Block, Cap Bus	11110815
1-16	1	Weldment, Tap Bar	11110921
1-17	1	Transformer, Matching	11110201
1-18	1	Cover, Plate, Output	11110427
1-19	1	Inverter	11110400B
1-20	1	Power Supply, Switching, Tri. Output, 40W	POWS0620
1-21	1	PCB Assy., Sense	11110535
1-22	1	PCB Assy., Display	11230545
1-23	1	Front Panel	11110720
1-24	1	Knob, 1-1/4" Dia. x 5/8"	KNOB0310
1-25	1	Bottom Panel	11110630
1-26	1	Hose Barb Mount	11110834
1-27	1	Switch, E-stop	SWIT0784
1-28	1	PCB Assy, Ext-Term	11230612
1-29	1	Case Rear Cover	1110310
1-30	1	Switch, Control power	SWIT0186
1-31	1	Step-Down Transformer	DT-11076
1-32	1	Cap. Rail Support, Glastic	11110635

Table 1: Cabinet Assembly

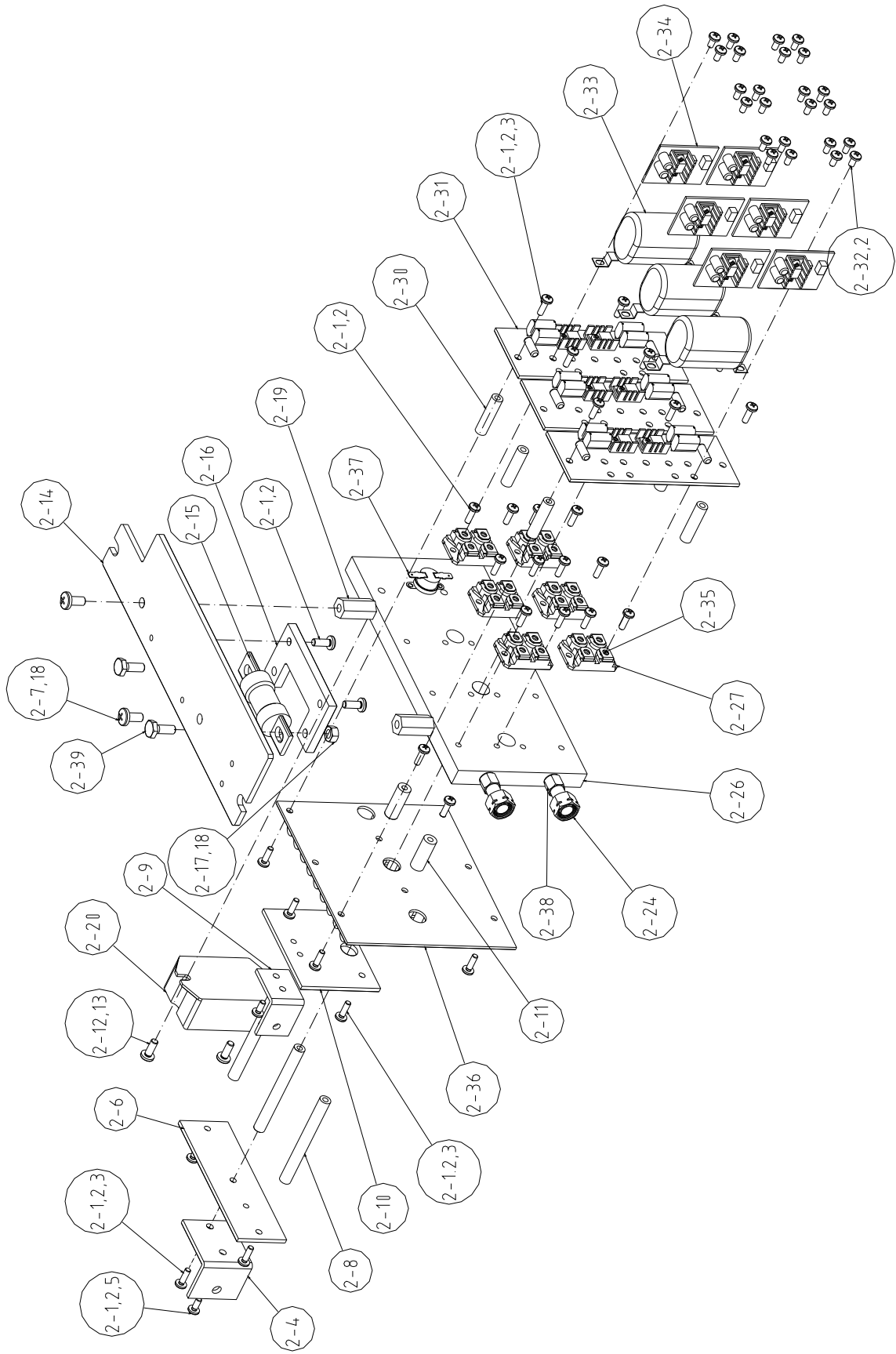


Figure 2: Inverter assembly

Item No.	Q'ty	Description	Part Number
2-1	3	SCREW, 8-32 X 1/2, PHPH, BR	SCRW0089
2-2	50	WASHER, LOCK, #8, SB	WASH0429
2-3	23	WASHER, FLAT, #8, BR	WASH0454
2-4	1	BUS, X'FMR, CONNECTION	11110425
2-5	22	SCREW, 8-32 X 3/8, PHPH, BR	SCRW0041
2-6	1	BUS, TOP, OUTPUT	11110412
2-7	2	SCREW, 1/4-20 X 1/2, PHPH, BR	SCRW0554
2-8	3	STANDOFF, 5/16 RND X 3, 8-32, FF, AL	STAN0002
2-9	1	BUS, CT MTG., OUTPUT	11110414
2-10	1	BUS, FEED THRU, OUTPUT	11110413
2-11	2	S-OFF, 3/8 RND X 1, 8-32, FF, AL	STAN0724
2-12	2	SCREW, 10-32 X 1/2, PHSO, SS-3	SCRW0100
2-13	2	WASHER, LOCK, #10, SS	WASH0455
2-14	1	HANDLE, HEATSINK	11110416
2-15	1	FUSE, 500V, 60A	FUSE0342
2-16	1	BRACKET, FUSE MOUNTING	11110426
2-17	2	NUT, 1/4-20, HEX, BR	NUTS0251
2-18	4	WASHER, LOCK, 1/4, SB	WASH0501
2-19	2	S-OFF, 1/2 HEX X 1, 1/4-20 MALE-FEMALE, ALUM.	STAN00188
2-20	1	DIODE BRIDGE, 3 PHASE, 1600 A , 60A	REBR0226
2-24	2	FITTING, ELB, 3/8 C - 1/4NP, BR	FITT0639
2-26	1	FABRICATION, HEAT SIN K	11110441
2-27	6	MOSFET, 1200V,32A	MOSF0232
2-28	12	SCREW, 8-32 X 3/8, PHSO, SS	SCRW0015
2-29	12	WASHER, LOCK, #8, SS	WASH0459
2-30	6	S-OFF, 5/16 RND X 1 1/4, 8-32, FF, AL.	STAN0198
2-31	3	PCB ASM, SNUBBER	11170515-40A
2-32	24	SCREW, M4 X 8, PHSL, BR	SCRW0102
2-33	3	CAPACITOR, 2.0UF, 1000V, FILM	CAPA0620
2-34	6	PCB ASM, GATE DRIVE	11171525
2-35	24	NUT, M4, HEX, BR	NUTS0256
2-36	1	PCB Assy, Divider Capacitors	11110705-480
2-37	1	Temperature Switch for Outlet(60C)	SWIT0150
2-38	4	compression fitting screw	
2-39	4	Brass Pan Head Phillips Screw 1/4"-20	

Table 2: Inverter Assembly

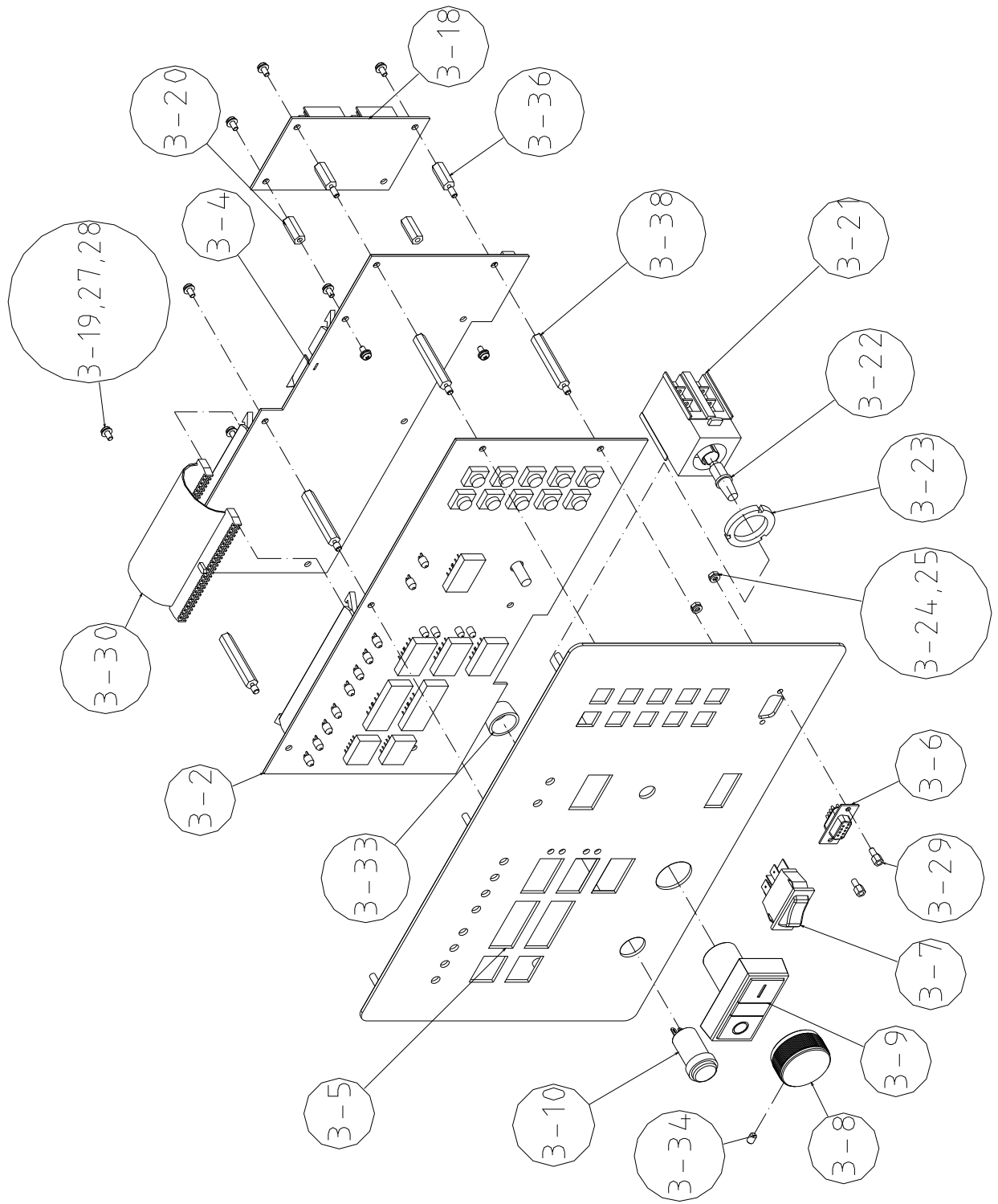


Figure 3 Display assembly

Item No.	Q'ty	Description	Part Number
3-2	1	PCB assy., display	11230545
3-4	1	PCB assy., control	11230505
3-5	1	Front panel	11230721
3-6	1	Connector 9pin	CONN0009
3-7	1	Switch, rocker, DPST	SWIT0166
3-8	1	Knob, 1-1/4" dia. x 5/8"	KNOB0310
3-9	1	Button, heating switch	SWIT0300
3-10	1	Switch, reset	SWIT0884
3-18	1	PCB assy., EXT-IO	11230742
3-19	10	SCREW, 6-32 x 3/8, PHPH, BR	SCRW7476
3-20	2	S-OFF 1/4HEX 14mm, 6-32, FF,AL	
3-21	1	Housing, heating switch	SWIT0177
3-22	1	Lamp, heating switch	LAMP0001
3-23	1	Mounting Nut, heating switch	NUTS1001
3-24	2	NUT, HEX, #4, BR	
3-25	2	WASHER, LOCK, #4, BR	
3-27	16	WASHER, LOCK, #6, BR	WASH0435
3-28	16	WASHER, FLAT, #6, BR	WASH0436
3-29	2	S-OFF, 5mm HEX 5mm, 4-40, FM,BR	
3-30	1	WIRE, PLATE 50P ASSY	CABL0300
3-33	1	Mounting Nut, reset switch	NUTS0724
3-34	1	SCREW, M4 x 8MM, NHSO, SS	
3-36	2	S-OFF, 1/4HEX 14mm, 6-32, FM, AL	
3-38	6	S-OFF, 1/4HEX 31.8mm, 6-32, FM, AL	STAN0723

Table 3: Display Assembly

***Recommended spare parts are shaded in gray