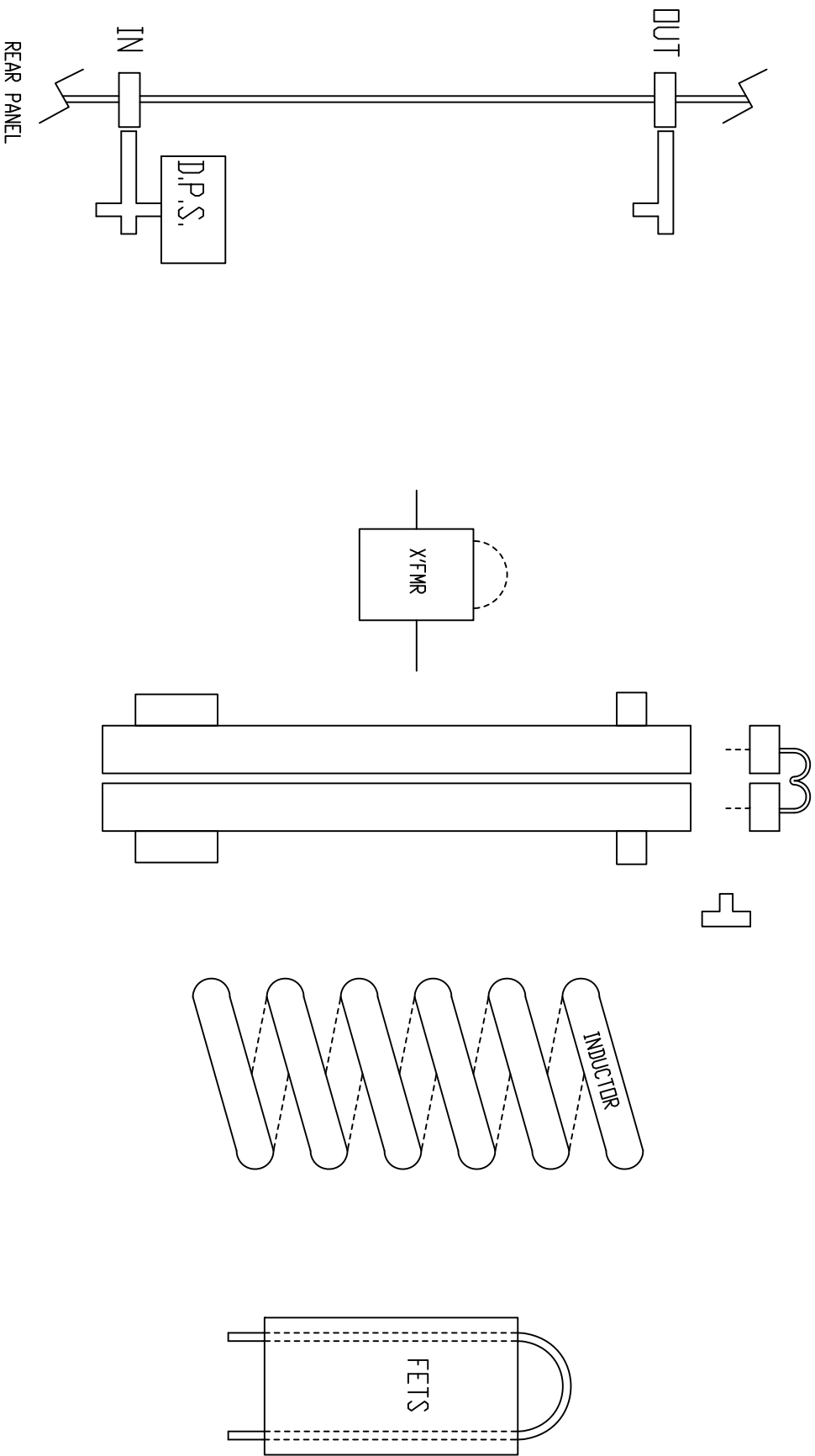


REV.	DESCRIPTION	DATE	APPROVED
-	-	-	-
-	-	-	-



- NOTES:
1. ALL WATER CONNECTIONS TO BE TESTED AT 100 P.S.I.
 2. DO NOT USE METAL HOSE CLAMPS FOR SYSTEM ASSEMBLY USE PLASTIC, NON-CONDUCTIVE CLAMPS.
 3. ALL HOSES TO BE 3/8" I.D.

QUANTITY PER UNIT	REV.	DESCRIPTION	DATE	APPROVED										
-	-	-	-	-										
<table border="1"> <tr> <td>REV.</td> <td>DESCRIPTION</td> <td>DATE</td> <td>APPROVED</td> </tr> <tr> <td>-</td> <td>-</td> <td>-</td> <td>-</td> </tr> </table>					REV.	DESCRIPTION	DATE	APPROVED	-	-	-	-		
REV.	DESCRIPTION	DATE	APPROVED											
-	-	-	-											
<table border="1"> <tr> <td>SCALE</td> <td>NAME</td> <td>NO</td> <td>REV</td> <td>DATE</td> </tr> <tr> <td>-</td> <td>-</td> <td>-</td> <td>-</td> <td>-</td> </tr> </table>					SCALE	NAME	NO	REV	DATE	-	-	-	-	-
SCALE	NAME	NO	REV	DATE										
-	-	-	-	-										
<table border="1"> <tr> <td>WATER ROUTING DIAGRAM</td> <td>5, 7.5 KW UNIT</td> <td>Precision Power Systems & Technology, Inc.</td> <td>2010/07/20</td> <td>1111 W102</td> </tr> </table>					WATER ROUTING DIAGRAM	5, 7.5 KW UNIT	Precision Power Systems & Technology, Inc.	2010/07/20	1111 W102					
WATER ROUTING DIAGRAM	5, 7.5 KW UNIT	Precision Power Systems & Technology, Inc.	2010/07/20	1111 W102										